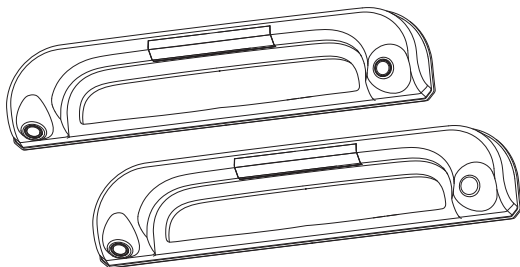


# ↗ DOMETIC

# POWER & CONTROL

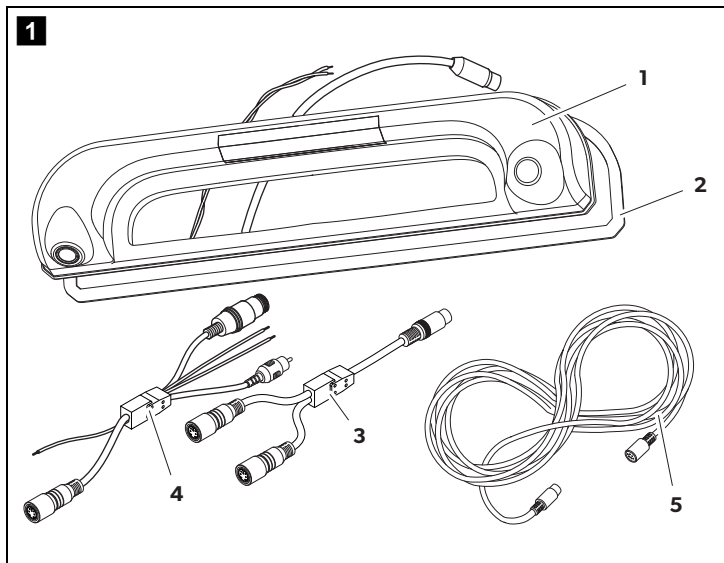
# CAMERAS

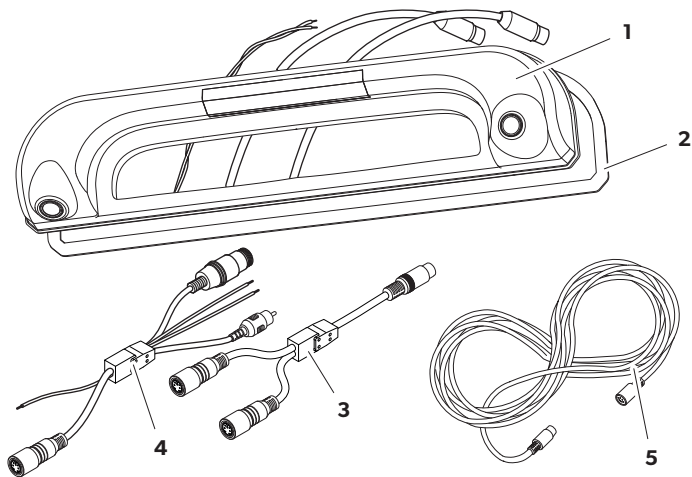


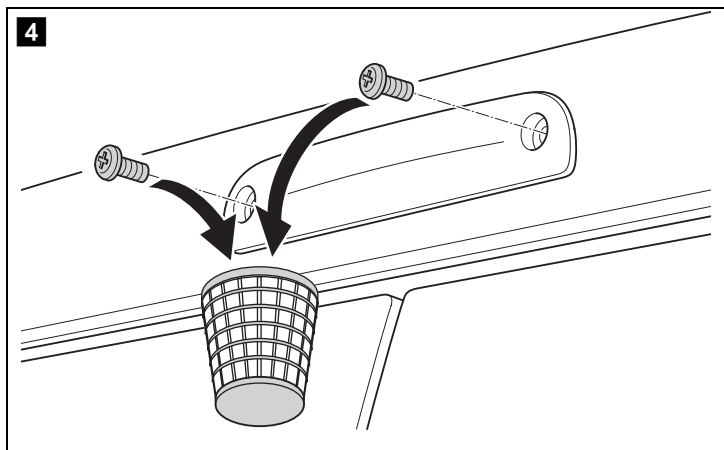
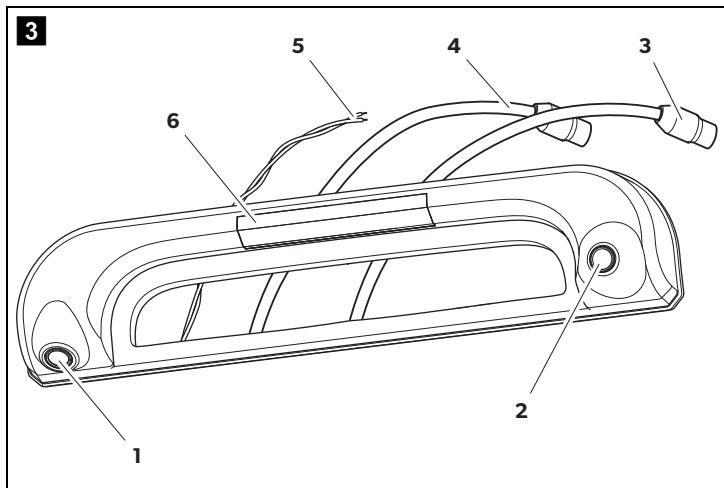
CAM35-2.0

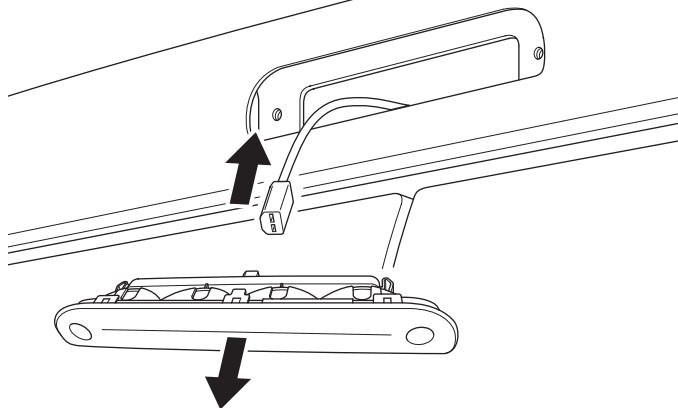
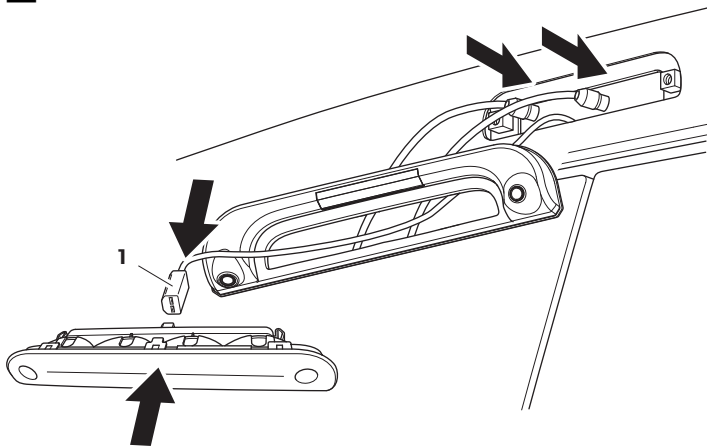
EN	<b>Rear View Video Camera</b> Installation and Operating Manual . . . . . 9	SV	<b>Backningsvideokamera</b> Monterings- och bruksanvisning . . . . . 78
DE	<b>Ruckfahrvideokamera</b> Montage- und Bedienungsanleitung . . . 17	NO	<b>Ryggevideokamera</b> Monterings- og bruksanvisning . . . . . 86
FR	<b>Camera video de recul</b> Instructions de montage et de service . . 26	FI	<b>Peruutusvideokamera</b> Asennus- ja käyttöohje . . . . . 94
ES	<b>Camara de video de marcha atras</b> Instrucciones de montaje y de uso . . . . 35	RU	<b>Видеокамера заднего вида</b> Инструкция по монтажу и эксплуатации . . . . . 102
PT	<b>Camara de marcha-atras</b> Instruções de montagem e manual de instruções . . . . . 44	PL	<b>Kamera cofania</b> Instrukcja montażu i obsługi . . . . . 111
IT	<b>Videocamera per la retromarcia</b> Istruzioni di montaggio e d'uso . . . . . 52	SK	<b>Cuvacia kamera</b> Návod na montáž a uvedenie do prevádzky . . . . . 119
NL	<b>Achteruitrijvideocamera</b> Montagehandleiding en gebruiksaanwijzing . . . . . 61	CS	<b>Couvaci kamera</b> Návod k montáži a obsluze . . . . . 127
DA	<b>Bakvideokamera</b> Monterings- og betjeningsvejledning . . 70	HU	<b>Tolatokamera</b> Szerelési és használati útmutató . . . . 135

© 2024 Dometic Group. The visual appearance of the contents of this manual is protected by copyright and design law. The underlying technical design and the products contained herein may be protected by design, patent or pending patent. The trademarks mentioned in this manual belong to Dometic Sweden AB. All rights are reserved.

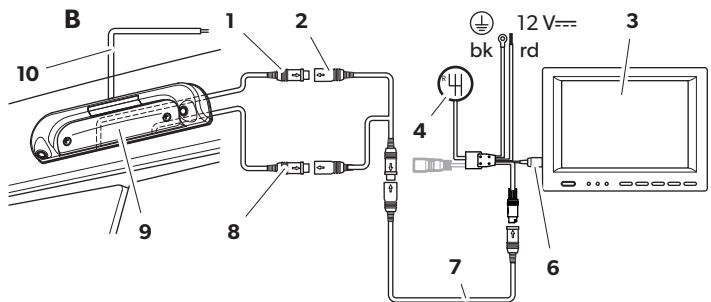
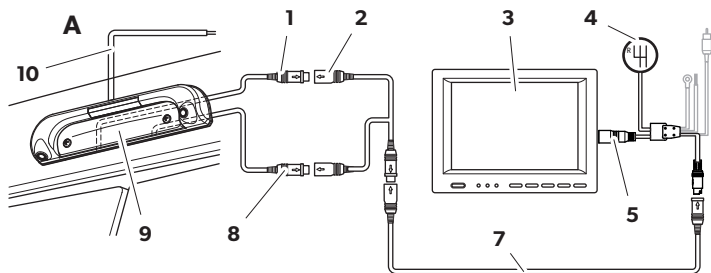
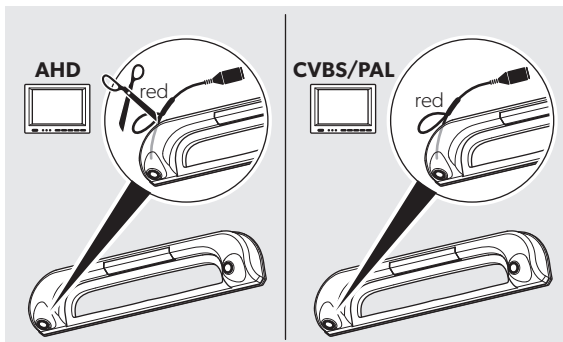


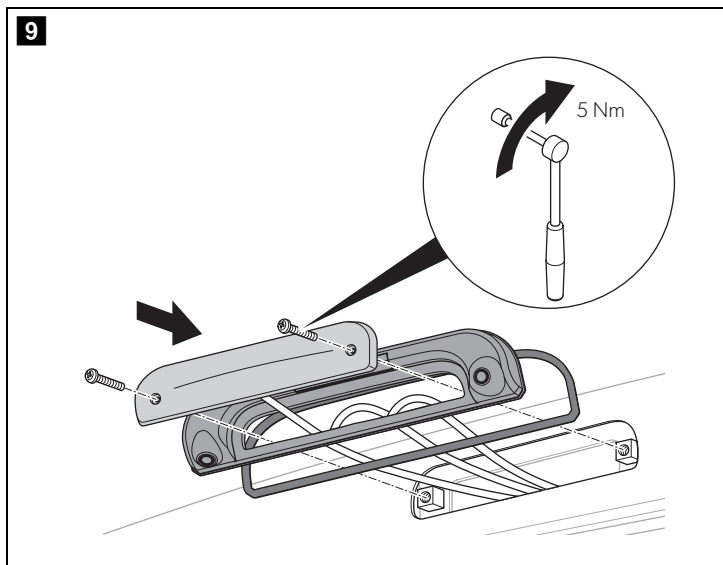
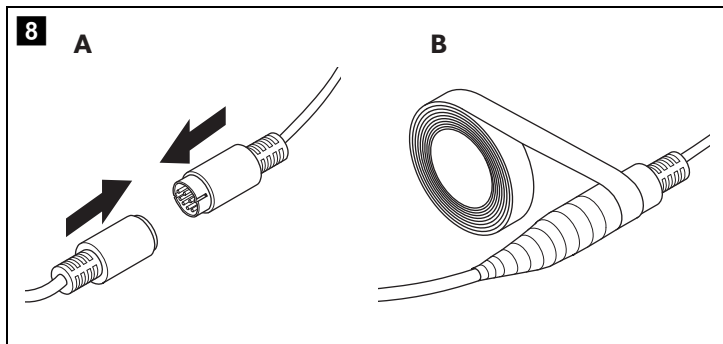
**2**



**5****6**

7







Please read these instructions carefully and follow all instructions, guidelines, and warnings included in this product manual in order to ensure that you install, use, and maintain the product properly at all times. These instructions **MUST** stay with this product.

By using the product, you hereby confirm that you have read all instructions, guidelines, and warnings carefully and that you understand and agree to abide by the terms and conditions as set forth herein. You agree to use this product only for the intended purpose and application and in accordance with the instructions, guidelines, and warnings as set forth in this product manual as well as in accordance with all applicable laws and regulations. A failure to read and follow the instructions and warnings set forth herein may result in an injury to yourself and others, damage to your product or damage to other property in the vicinity. This product manual, including the instructions, guidelines, and warnings, and related documentation, may be subject to changes and updates. For up-to-date product information, please visit [documents.dometic.com](http://documents.dometic.com).

## Contents

1	Explanation of symbols	9
2	Safety instructions	10
3	Scope of delivery	11
4	Target groups	12
5	Intended use	12
6	Technical description	12
7	Installation	13
8	Operation	14
9	Cleaning and maintenance	14
10	Troubleshooting	15
11	Warranty	15
12	Disposal	15
13	Technical data	16

## 1 Explanation of symbols



### **DANGER!**

**Safety instruction:** Indicates a hazardous situation that, if not avoided, will result in death or serious injury.



### **WARNING!**

**Safety instruction:** Indicates a hazardous situation that, if not avoided, could result in death or serious injury.



### **CAUTION!**

**Safety instruction:** Indicates a hazardous situation that, if not avoided, could result in minor or moderate injury.



### **NOTICE!**

Indicates a situation that, if not avoided, can result in property damage.

## 2 Safety instructions

**Observe the prescribed safety instructions and stipulations from the vehicle manufacturer and service workshops.**

**Observe the applicable legal regulations.**



**DANGER! Failure to obey these warnings will result in death or serious injury.**

### Explosion hazard

- The camera does not release the driver from the duty of care when driving.
- The driver remains fully responsible for driving the vehicle, for fulfilling the road safety obligations and, for complying with the statutory road safety requirements.



**WARNING! Failure to obey these warnings could result in death or serious injury.**

### Risk of injury

- This camera can be used by children aged from 8 years and above and persons with reduced physical, sensory or mental capabilities or lack of experience and knowledge if they have been given supervision or instruction concerning use of the device in a safe way and understand the hazards involved.
- Secure the parts installed in the vehicle in such a way that they cannot become loose under any circumstances (sudden braking, accidents) and cause injuries to the occupants of the vehicle.
- Do not install the parts anywhere in the vehicle where an airbag may open. This can cause injury if the airbag deploys.
- Inadequate supply line connections can result in short circuits causing:
  - Cable fires
  - The airbag being triggered
  - Damage to electronic control devices
  - Electrical malfunctions (turn signal, stoplight, horn, ignition, lights).



**CAUTION! Failure to obey these cautions could result in minor or moderate injury.**

### Risk of injury

- Secure any parts of the system concealed by the bodywork in such a manner that they cannot be come loose or damage other parts or cables, or impair vehicle functions (steering, pedals, etc.).
- Always follow the safety instructions of the vehicle manufacturer.  
Some work (e.g., on retention systems such as the airbag, etc.) may only be performed by qualified specialists.



### NOTICE!

#### Damage hazard

- To prevent damage when drilling ensure that there is sufficient space on the other side for the drill head to emerge.
  - Deburr all drill holes and treat them with a rust-protection agent.
  - When working on the electrical system, the batteries must be separated from the vehicle ground. This applies to the main and additional batteries.
  - When working on the following cables only use insulated cable lugs, plugs and tab sleeves:
    - 30 (direct input from positive battery terminal)
    - 15 (connected positive terminal, behind the battery)
    - 31 (return cable from the battery, ground)
    - 58 (reversing light)
- Do **not** use porcelain wire connectors.
- Use a crimping tool to connect the cables.

- Screw the cable when connecting cable 31 (ground).
  - Screw the cable using a cable lug and lock washer to one of the vehicle's ground bolts or
  - Screw the cable to the sheet metal body work using a cable lug and a self-tapping screw. Ensure that there is a good ground connection.
- If the battery is disconnected, all data stored in all volatile memory will be lost. Data may have to be reset. Follow the instructions of the vehicle manufacturer in this case. The instructions for making these settings can be found in the operating manual.
- When testing the voltage in electrical cables only use a diode test lamp or a voltmeter. Test lamps with a bulb consume too much voltage which can damage the vehicle's electronic system.
- When making electrical connections ensure the following:
  - They are not kinked or twisted
  - They do not rub on edges
  - They are not laid in sharp-edged through-holes without protection.
- Insulate all connections.
- Secure the cables against mechanical stress with cable binders or insulating tape, e.g., to existing lines.
- Follow the installation and operating manual for the monitor.
- Do not open the camera.
- Do not pull the cables.
- Do not expose the cables to solvents such as benzene for long periods of time.
- Do not use the cameras under water.
- Install cables far enough away from hot or moving vehicle parts (exhaust pipes, drive shafts exhaust pipes, drive shafts, lights, blowers, heaters, etc.).

### 3 Scope of delivery

**CAM35-2.0 REAR:** fig. **1**, page 3

**CAM35-2.0 TWIN:** fig. **2**, page 4

No.	Quantity	Description	Ref no.
1	1	Camera	
		CAM35-2.0 REAR	9620012436
		CAM35-2.0 TWIN	9620012438
2	1	Seal	–
3	1	Y-adapter CAM	9600000552
4	1	Adapter NAV	9620012441
5	1	System cable 15 m	9600001662
–	1	Light connection cable 1.5 m	–
–	2	Fastening bolts 6 x 25 mm	–

## 4 Target groups



The electrical power supply must be connected by a qualified electrician who has demonstrated skill and knowledge related to the construction and operation of electrical equipment and installations, and who is familiar with the applicable regulations of the country in which the equipment is to be installed and/or used, and has received safety training to identify and avoid the hazards involved.

## 5 Intended use

The camera is intended for use in the Fiat Ducato, Citroen Jumper, Peugeot Boxer vehicles starting from model year 2006 with single roof. The camera console is mounted between the bodywork and the brake light. It can be used in video systems to observe the space rear of the vehicle from the driver's seat when maneuvering or parking.

This product is only suitable for the intended purpose and application in accordance with these instructions.

This manual provides information that is necessary for proper installation and/or operation of the product. Poor installation and/or improper operating or maintenance will result in unsatisfactory performance and a possible failure.

The manufacturer accepts no liability for any injury or damage to the product resulting from:

- Incorrect installation, assembly or connection, including excess voltage
- Incorrect maintenance or use of spare parts other than original spare parts provided by the manufacturer
- Alterations to the product without express permission from the manufacturer
- Use for purposes other than those described in this manual

Dometic reserves the right to change product appearance and product specifications.

## 6 Technical description

The reversing camera module and the long-distance camera module (CAM35 2.0 TWIN **only**) are housed in one console for the original brake light. The camera image is transferred to a monitor via a system cable. The camera is also suitable for connection to the Fiat navigation system Uconnect.

The camera consist of the following elements:

No. in fig. 3, page 5	Description
1	Reversing camera module
2	Long-distance camera module (CAM35-2.0 TWIN <b>only</b> )
3	6-pin connection cable for the long-distance camera module (CAM35-2.0 TWIN <b>only</b> )
4	6-pin connection cable for the reversing camera module
5	2-core connection cable for the camera light
6	Camera light

The CAM35-2.0 is equipped with an adapter that allows connection to a monitor with a 6-pin connector and to a monitor with an RCA connector (A/V input).

**CAM35-2.0 TWIN only:** The camera switching electronics enable both camera modules to be operated via only one A/V input.

## 7 Installation

### 7.1 Dismantling the brake light

1. Remove the screws of the brake light (fig. **4**, page 5).
2. Disconnect the brake light from the vehicle (fig. **5**, page 6).

### 7.2 Laying cables



#### NOTICE! Damage hazard

- Before drilling holes check that there is sufficient space on the other side of the wall for the drill head to come out.
- Cables and connections that are not properly installed will cause malfunctions or damage to components. Install the cables and connectors as specified.
- Do not expose the cables to solvents such as benzene for a long period of time.



#### NOTE

Lay the cables so that the connector between the camera and the extension cable is easy to reach.

Observe the following instructions:

- Use original ducts for laying the cables or other suitable options such as paneling edges, ventilation grilles, or dummy plugs. If no openings are available, drill holes for the cables.
  - Lay cables inside the vehicle. If a cable needs to be laid outside the vehicle, ensure that the cable is well fastened (use additional cable ties, insulating tape, etc.).
  - Ensure that the cables are far enough away from hot or moving vehicle components (exhaust pipes, drive shafts, light systems, fans, heaters, etc.). Use corrugated piping or other protective materials to protect against mechanical wear.
  - Ensure that the cables are not kinked or twisted.
  - Ensure that the cables do not rub on edges.
  - Ensure that the cables are not laid in sharp-edged ducts without protection.
  - Attach the cables securely in the vehicles to prevent tripping hazards. Use cable binders, insulating tape, or gluing the cables in place with adhesives.
- Lay the system cables.

### 7.3 Connecting the camera



#### NOTE

Apply a small amount of grease, such as pin grease, to the plugs to prevent corrosion in the plug.

1. Guide the connector of the brake light through the console.
2. Re-attach the plug of the brake light onto the brake light (fig. **6**, page 6).
3. Connect the camera as shown (fig. **7**, page 7).



#### NOTE

Connect the 2-core connection cable (fig. **3 5**, page 5) to a 12 V power terminal that supplies power **only** when the vehicle is parked. The camera light is not allowed by law to light up while driving. The exact connection to the vehicle depends on the vehicle. Follow the vehicle manufacturer's instructions.

Legend:

No. in fig. <b>7</b> , page 7	Description
1	6-pin connection cable for reversing camera module
2	Y-adapter CAM
3	Monitor
4	Connection cable reverse gear
5	6-pin plug for the monitor
6	RCA plug for the monitor
7	System cable
8	6-pin connection cable for long-distance camera module (CAM35-2.0 TWIN <b>only</b> )
9	Camera CAM35-2.0 REARE or CAM35-2.0 TWIN
10	Light connection cable
bk	black ground connection
rd	red 12 V <sup>DC</sup> connection

## 7.4 Protecting the plugs

- ▶ Seal the connected plugs with water repellent adhesive tape to protect them against water ingress (fig. **8**, page 8).

## 7.5 Mounting the camera (fig. **9**, page 8)



### NOTE

Route the camera cables in the bottom of the console up to the notches so that the cables are not pinched.

1. Place the brake light in the camera opening.
2. Secure the camera with two 6 x 25 mm fastening screws.

## 8 Operation

The camera can be used via the monitor after connecting.

Follow the monitor manufacturer's instructions.

## 9 Cleaning and maintenance



### NOTICE! Damage hazard

Do not use sharp or hard objects, abrasive cleaning agents, or bleach for cleaning.

- ▶ Occasionally clean the device with a soft, damp cloth.
- ▶ Regularly check live cables or wires for insulation faults, breaks, or loose connections.

## 10 Troubleshooting

Fault	Possible cause	Remedy
The camera does not work.	The camera is connected incorrectly.	▶ Reconnect the camera (see chapter "Connecting the camera" on page 13).
	A connection cable is defective.	▶ Contact an authorized service agent.
	The camera is defective.	▶ Contact an authorized service agent.
The image generated by the camera is blurred or dark.	The camera is not clean.	▶ Clean the camera (see chapter "Cleaning and maintenance" on page 14).

## 11 Warranty

The statutory warranty period applies. If the product is defective, please contact your retailer or the manufacturer's branch in your country (see [dometic.com/dealer](http://dometic.com/dealer)).

For repair and warranty processing, please include the following documents when you send in the product:

- A copy of the receipt with purchasing date
- A reason for the claim or description of the fault

Note that self-repair or non-professional repair can have safety consequences and might void the warranty.

## 12 Disposal

### Recycling packaging material




- ▶ Place the packaging material in the appropriate recycling waste bins wherever possible.

### Recycling products with batteries, rechargeable batteries, and light sources



- ▶ Remove any batteries, rechargeable batteries, and light sources before recycling the product.
- ▶ Return defective or used batteries to your retailer or dispose of them at collection points.
- ▶ Do not dispose of any batteries, rechargeable batteries, and light sources with general household waste.
- ▶ If you wish to finally dispose of the product, ask your local recycling center or specialist dealer for details about how to do this in accordance with the applicable disposal regulations.
- ▶ The product can be disposed free of charge.

### 13 Technical data

	CAM35-2.0 REAR	CAM35-2.0 TWIN	
		REAR	FAR
Image sensor	1/2.9 inch CMOS		
Pixels AHD CVBS	1280 (H) X720 (V) 960 (H) X576 (V)		
Video standard (AHD and CVBS)	PAL		
Sensitivity	< 1 lux		
Viewing angle AHD CVBS	H: 122 ± 3° V: 94 ± 3° H: 118 ± 3° V: 90 ± 3°		H: 80 ± 3° V: 50 ± 3° H: 80 ± 3° V: 44 ± 3°
Operating voltage Camera LED	6 – 16 V 9 – 16 V		
Consumption AHD CVBS LED	< 1.68 W < 1.8 W < 3.24 W	< 2.52 W < 2.64 W < 3.24 W	
Operating temperature	-40 °C to 85 °C		
Protection class	IP69k		
Vibration resistance	ISO 16750-3:2023 4.1.9.2 (IEC 60068-2-64)		
Dimensions (W x H x D)	379.9 x 83.66 x 51.7 mm		
Weight	230 g	250 g	
Test and certification marks			



Lesen und befolgen Sie bitte alle Anweisungen, Richtlinien und Warnhinweise in diesem Produkthandbuch sorgfältig, um sicherzustellen, dass Sie das Produkt ordnungsgemäß installieren und stets ordnungsgemäß betreiben und warten. Diese Anleitung MUSS bei dem Produkt verbleiben.

Durch die Verwendung des Produktes bestätigen Sie hiermit, dass Sie alle Anweisungen, Richtlinien und Warnhinweise sorgfältig gelesen haben und dass Sie die hierin dargelegten Bestimmungen verstanden haben und ihnen zustimmen. Sie erklären sich damit einverstanden, dieses Produkt nur für den angegebenen Verwendungszweck und gemäß den Anweisungen, Richtlinien und Warnhinweisen dieses Produkthandbuchs sowie gemäß allen geltenden Gesetzen und Vorschriften zu verwenden. Eine Nichtbeachtung der hierin enthaltenen Anweisungen und Warnhinweise kann zu einer Verletzung Ihrer selbst und anderer Personen, zu Schäden an Ihrem Produkt oder zu Schäden an anderem Eigentum in der Umgebung führen. Dieses Produkthandbuch, einschließlich der Anweisungen, Richtlinien und Warnhinweise, sowie die zugehörige Dokumentation können Änderungen und Aktualisierungen unterliegen. Aktuelle Produktinformationen finden Sie unter [documents.dometic.com](http://documents.dometic.com).

## Inhalt

1	Erklärung der Symbole	18
2	Sicherheitshinweise	18
3	Lieferumfang	20
4	Zielgruppen	20
5	Bestimmungsgemäßer Gebrauch	20
6	Technische Beschreibung	21
7	Installation	21
8	Betrieb	23
9	Reinigung und Pflege	23
10	Fehlersuche und Fehlerbehebung	24
11	Garantie	24
12	Entsorgung	24
13	Technische Daten	25

## 1 Erklärung der Symbole



### GEFAHR!

**Sicherheitshinweis:** Kennzeichnet eine Gefahrensituation, die zum Tod oder schwerer Verletzung führt, wenn die jeweiligen Anweisungen nicht befolgt werden.



### WARNUNG!

**Sicherheitshinweis:** Kennzeichnet eine Gefahrensituation, die zum Tod oder schwerer Verletzung führen könnte, wenn die jeweiligen Anweisungen nicht befolgt werden.



### VORSICHT!

**Sicherheitshinweis:** Kennzeichnet eine Gefahrensituation, die zu geringer oder mittelschwerer Verletzung führen könnte, wenn die jeweiligen Anweisungen nicht befolgt werden.



### ACHTUNG!

Kennzeichnet eine Situation, die zu Sachschäden führen kann, wenn die jeweiligen Anweisungen nicht befolgt werden.

## 2 Sicherheitshinweise

**Beachten Sie die vom Fahrzeughersteller und vom Kfz-Handwerk vorgeschriebenen Sicherheitshinweise und Auflagen.**

**Beachten Sie die geltenden gesetzlichen Vorschriften.**



**GEFAHR! Nichtbeachtung dieser Warnungen führt zum Tod oder schwerer Verletzung. Explosionsgefahr**

- Die Kamera entbindet den Fahrer nicht von der Sorgfaltspflicht beim Fahren.
- Der Fahrer behält die volle Verantwortung für das Führen des Fahrzeugs, die Erfüllung der Pflichten für die Verkehrssicherheit und für die Einhaltung der entsprechenden gesetzlichen Vorschriften.



**WARNUNG! Nichtbeachtung dieser Warnungen kann zum Tod oder schwerer Verletzung führen.**

**Verletzungsgefahr**

- Diese Kamera kann von Kindern ab 8 Jahren und von Personen mit verringerten physischen, sensorischen oder mentalen Fähigkeiten oder Mangel an Erfahrung und/oder Wissen verwendet werden, wenn diese Personen beaufsichtigt werden oder im sicheren Gebrauch des Geräts unterwiesen wurden und die daraus resultierenden Gefahren verstanden haben.
- Befestigen Sie die im Fahrzeug montierten Teile so, dass sie sich unter keinen Umständen (scharfes Abbremsen, Verkehrsunfall) lösen und zu Verletzungen der Fahrzeuginsassen führen können.
- Montieren Sie die Teile nicht im Wirkungsbereich eines Airbags. Ansonsten besteht Verletzungsgefahr, wenn der Airbag auslöst.
- Unsachgemäße Kabelverbindungen können zur Folge haben, dass durch Kurzschluss:
  - Kabelbrände entstehen
  - der Airbag ausgelöst wird
  - elektronische Steuerungseinrichtungen beschädigt werden
  - Fehlfunktionen in der Elektrik auftreten (Blinker, Bremslicht, Hupe, Zündung, Leuchten).



## **VORSICHT! Nichtbeachtung dieser Hinweise kann zu leichten bis mittelschweren Verletzungen führen.**

### **Verletzungsgefahr**

- Befestigen Sie verdeckt unter Verkleidungen anzubringende Teile des Systems so, dass sie sich nicht lösen oder andere Teile und Leitungen beschädigen und keine Fahrzeugfunktionen (Lenkung, Pedale usw.) beeinträchtigen können.
- Beachten Sie immer die Sicherheitshinweise des Fahrzeugherstellers.  
Einige Arbeiten (z. B. an Rückhaltesystemen wie Airbag usw.) dürfen nur von geschultem Fachpersonal durchgeführt werden.



## **ACHTUNG!**

### **Beschädigungsgefahr**

- Achten Sie beim Bohren auf ausreichenden Freiraum für den Bohreraustritt, um Schäden zu vermeiden.
- Entgraten Sie jede Bohrung und behandeln Sie sie mit Rostschutzmittel.
- Bei Arbeiten an der Elektroanlage müssen die Batterien von der Fahrzeugmasse getrennt sein. Dies gilt sowohl für die Haupt- als auch für die Zusatzbatterien.
- Verwenden Sie bei Arbeiten an den folgenden Kabeln nur isolierte Kabelschuhe, Stecker und Flachsteckhülsen:
  - 30 (direkter Eingang vom Batterie-Pluspol)
  - 15 (geschaltetes Plus, hinter Batterie)
  - 31 (Rückleitung ab Batterie, Masse)
  - 58 (Rückfahrcheinwerfer)
 Verwenden Sie **keine** Lüsterklemmen.
- Verwenden Sie eine Krimpzange zum Verbinden der Kabel.
- Verschrauben Sie das Kabel beim Anschluss von Kabel 31 (Masse).
  - unter Verwendung von Kabelschuh und Sicherungsscheibe mit einer fahrzeugeigenen Masse-schraube oder
  - unter Verwendung eines Kabelschuhs und einer Blechschraube mit dem Karosserieblech.
 Stellen Sie eine gute Masseverbindung sicher.
- Durch das Abklemmen der Batterie gehen alle im flüchtigen Speicher gespeicherten Daten verloren. Unter Umständen müssen die Daten zurückgesetzt werden. Befolgen Sie in einem solchen Fall die Anweisungen des Fahrzeugherstellers. Die Anweisungen für diese Einstellungen sind in der Bedienungsanleitung zu finden.
- Benutzen Sie zum Prüfen der Spannung in elektrischen Leitungen nur eine Diodenprüflampe oder ein Voltmeter.  
Prüflampen mit einem Leuchtkörper nehmen zu hohe Ströme auf, wodurch die Fahrzeugelektronik beschädigt werden kann.
- Achten Sie beim Herstellen der elektrischen Anschlüsse auf Folgendes:
  - nicht stark geknickt oder verdreht werden,
  - nicht an Kanten scheuern,
  - Sie dürfen nicht ohne Schutz durch scharfkantige Durchführungen verlegt werden.
- Isolieren Sie alle Verbindungen und Anschlüsse.
- Sichern Sie die Kabel gegen mechanische Beanspruchung, indem Sie sie z. B. mit Kabelbindern oder Isolierband an vorhandenen Leitungen befestigen.
- Beachten Sie beim Einbau des Monitors die Montage- und Bedienungsanleitung.
- Öffnen Sie die Kamera nicht.
- Ziehen Sie nicht an den Kabeln.
- Die Kabel dürfen nicht für längere Zeit Lösungsmitteln wie Benzol ausgesetzt werden.
- Verwenden Sie die Kameras nicht unter Wasser.

- Installieren Sie Kabel in ausreichendem Abstand zu heißen oder sich bewegenden Fahrzeugteilen (Auspuffrohre, Antriebswellen-Auspuffrohre, Antriebswellen, Leuchten, Gebläse, Heizungen usw.).

### 3 Lieferumfang

**CAM35-2.0 REAR:** Abb. **1**, Seite 3

**CAM35-2.0 TWIN:** Abb. **2**, Seite 4

Pos.	Anzahl	Beschreibung	Art.-Nr.
1	1	Kamera	
		CAM35-2.0 REAR	9620012436
		CAM35-2.0 TWIN	9620012438
2	1	Dichtung	–
3	1	Y-Adapter CAM	9600000552
4	1	Adapter NAV	9620012441
5	1	Systemkabel 15 m	9600001662
–	1	Leuchtenanschlusskabel 1,5 m	–
–	2	Befestigungsschrauben 6 x 25 mm	–

### 4 Zielgruppen



Die elektrische Stromversorgung muss durch eine qualifizierte Elektrofachkraft angeschlossen werden, die ihre Fähigkeiten und Kenntnisse im Zusammenhang mit dem Aufbau und der Bedienung von elektrischen Geräten und Installationen unter Beweis gestellt hat und die mit den geltenden Vorschriften des Landes, in dem das Gerät installiert und/oder verwendet werden soll, vertraut ist und eine Sicherheitsschulung erhalten hat, um die damit verbundenen Gefahren zu erkennen und zu vermeiden.

### 5 Bestimmungsgemäßer Gebrauch

Die Kamera ist für den Einsatz in den Fahrzeugen Fiat Ducato, Citroën Jumper, Peugeot Boxer ab Modelljahr 2006 mit Einfachdach vorgesehen. Die Kamerakonsole wird zwischen Karosserie und Bremsleuchte montiert. Sie ist einsetzbar in Videosystemen, die zur Beobachtung des Bereiches hinter dem Fahrzeug vom Fahrersitz aus beim Rangieren oder Einparken dienen.

Dieses Produkt ist nur für den angegebenen Verwendungszweck und die Anwendung gemäß dieser Anleitung geeignet.

Dieses Handbuch enthält Informationen, die für die ordnungsgemäße Installation und/oder den ordnungsgemäßen Betrieb des Produkts erforderlich sind. Installationsfehler und/oder ein nicht ordnungsgemäßer Betrieb oder eine nicht ordnungsgemäße Wartung haben eine unzureichende Leistung und u. U. einen Ausfall des Geräts zur Folge.

Der Hersteller übernimmt keine Haftung für Verletzungen oder Schäden am Produkt, die durch Folgendes entstehen:

- unsachgemäße Montage oder falscher Anschluss, einschließlich Überspannung
- unsachgemäße Wartung oder Verwendung von anderen als den vom Hersteller gelieferten Original-Ersatzteilen

- Veränderungen am Produkt ohne ausdrückliche Genehmigung des Herstellers
- Verwendung für andere als die in der Anleitung beschriebenen Zwecke

Dometic behält sich das Recht vor, das Erscheinungsbild des Produkts und dessen technische Daten zu ändern.

## 6 Technische Beschreibung

Das Rückfahrkameramodul und das Fernsichtkameramodul (**nur** CAM35-2.0 TWIN) sind in einer Konsole für die Original-Bremsleuchte untergebracht. Das Kamerabild wird über ein Systemkabel übertragen zu einem Monitor. Die Kamera ist auch für den Anschluss an das Fiat-Navigationssystem Uconnect geeignet.

Die Kamera besteht aus den folgenden Elementen:

Nr. in Abb. <b>3</b> , Seite 5	Beschreibung
1	Rückfahrkameramodul
2	Fernsichtkameramodul ( <b>nur</b> CAM35-2.0 TWIN)
3	6-poliges Anschlusskabel für das Fernsichtkameramodul ( <b>nur</b> CAM35-2.0 TWIN)
4	6-poliges Anschlusskabel für das Rückfahrkameramodul
5	2-adriges Anschlusskabel für die Kameraluchte
6	Kameraluchte

Das Modell CAM35-2.0 ist mit einem Adapter ausgestattet, der den Anschluss an einen Monitor mit 6-poligem Anschluss und an einen Monitor mit RCA-Anschluss (A/V-Eingang) ermöglicht.

**nur CAM35-2.0 TWIN:** Die Schaltelektronik der Kamera ermöglicht den Betrieb beider Kameramodule über nur einen A/V-Eingang.

## 7 Installation

### 7.1 Bremsleuchte demontieren

1. Entfernen Sie die zwei Schrauben der Bremsleuchte (Abb. **4**, Seite 5).
2. Trennen Sie die Bremsleuchte vom Fahrzeug (Abb. **5**, Seite 6).

### 7.2 Kabel verlegen



#### **ACHTUNG! Beschädigungsgefahr**

- Prüfen Sie vor dem Bohren von Löchern, ob auf der anderen Seite der Wand ein ausreichender Freiraum für den Bohreraustritt vorhanden ist.
- Nicht fachgerechte Kabelverlegungen und Kabelverbindungen führen immer wieder zu Fehlfunktionen oder Beschädigungen von Bauteilen. Montieren Sie die Kabel und Anschlüsse wie angegeben.
- Setzen Sie die Kabel nicht für längere Zeit Lösungsmitteln wie Benzol aus.



#### **HINWEIS**

Verlegen Sie die Kabel so, dass der Anschluss zwischen Kamera und Verlängerungskabel leicht zugänglich ist.

Beachten Sie folgende Hinweise:

- Verwenden Sie zur Verlegung der Kabel Originaldurchführungen oder andere geeignete Durchführungsmöglichkeiten, z. B. Verkleidungskanten, Lüftungsgitter oder Blindschalter. Wenn keine Durchführungen vorhanden sind, bohren Sie Löcher für die Kabel.
  - Verlegen Sie die Kabel im Fahrzeug. Wenn ein Kabel außerhalb des Fahrzeugs verlegt werden muss, achten Sie auf eine gute Befestigung des Kabels (verwenden Sie zusätzliche Kabelbinder, Isolierband usw.).
  - Stellen Sie sicher, dass die Kabel weit genug von heißen oder sich bewegenden Fahrzeugteilen (Auspuffrohre, Antriebswellen, Lichtanlagen, Lüfter, Heizungen, usw.) entfernt sind. Verwenden Sie zum mechanischen Schutz Wellrohr oder ähnliche Schutzmaterialien.
  - Achten Sie darauf, dass die Kabel nicht geknickt oder verdreht sind.
  - Achten Sie darauf, dass die Kabel nicht an Kanten reiben.
  - Achten Sie darauf, dass die Leitungen nicht ohne Schutz durch scharfkantige Durchführungen verlegt werden.
  - Befestigen Sie die Kabel sicher im Fahrzeug, um ein Verfangen (Sturzgefahr) zu vermeiden. Verwenden Sie Kabelbinder, Isolierband oder kleben Sie die Kabel mit Klebstoffen fest.
- Verlegen Sie die Systemkabel.

### 7.3 Kamera anschließen



#### HINWEIS

Tragen Sie etwas Fett, z. B. Polfett, auf die Stecker auf, um Korrosion im Stecker zu verhindern.

1. Führen Sie den Stecker der Bremsleuchte durch die Konsole.
2. Schließen Sie den Stecker der Bremsleuchte wieder an die Bremsleuchte an (Abb. **6**, Seite 6).
3. Schließen Sie die Kamera wie dargestellt an (Abb. **7**, Seite 7).



#### HINWEIS

Schließen Sie das 2-adrige Anschlusskabel (Abb. **3**, **5**, Seite 5) an eine 12-V-Steckdose an, die **nur** bei geparktem Fahrzeug Strom liefert. Die Kameralleuchte darf aus rechtlichen Gründen während der Fahrt nicht aufleuchten. Der genaue Anschluss an das Fahrzeug ist fahrzeugspezifisch. Befolgen Sie die Anweisungen des Fahrzeugherstellers.

Legende:

Nr. in Abb. <b>7</b> , Seite 7	Beschreibung
1	6-poliges Anschlusskabel für Rückfahrkamerasmodul
2	Y-Adapter CAM
3	Monitor
4	Anschlusskabel Rückwärtsgang
5	6-poliger Stecker für den Monitor
6	RCA-Stecker für den Monitor
7	Systemkabel
8	6-poliges Anschlusskabel für das Fernsichtkamerasmodul ( <b>nur</b> CAM35-2.0 TWIN)
9	Kamera CAM35-2.0 REAR oder CAM35-2.0 TWIN

Nr. in Abb. <b>7</b> , Seite 7	Beschreibung
10	Leuchtenanschlusskabel
bk	schwarzer Masseanschluss
rd	rote 12-V <sup>+</sup> -Verbindung

## 7.4 Stecker schützen

- ▶ Dichten Sie die angeschlossenen Stecker mit wasserabweisendem Klebeband ab, um sie vor dem Eindringen von Wasser zu schützen (Abb. **8**, Seite 8).

## 7.5 Kamera montieren (Abb. **9**, Seite 8)



### HINWEIS

Führen Sie die Kamerakabel in der Unterseite der Konsole nach oben zu den Kerben, damit die Kabel nicht gequetscht werden.

1. Setzen Sie die Bremsleuchte in die Kameraöffnung ein.
2. Befestigen Sie die Kamera mit zwei Befestigungsschrauben in der Größe 6 x 25 mm.

## 8 Betrieb

Die Kamera kann nach dem Anschließen über den Monitor verwendet werden.

Befolgen Sie die Anweisungen des Monitorherstellers.

## 9 Reinigung und Pflege



### ACHTUNG! Beschädigungsgefahr

Verwenden Sie zur Reinigung keine scharfen oder harten Gegenstände, scheuernden Reinigungsmittel oder Bleichmittel.

- ▶ Reinigen Sie das Gerät gelegentlich mit einem weichen, feuchten Tuch.
- ▶ Prüfen Sie stromführende Kabel oder Adern regelmäßig auf Isolationsmängel, Brüche oder lose Verbindungen.

## 10 Fehlersuche und Fehlerbehebung

Störung	Mögliche Ursache	Beseitigung
Die Kamera funktioniert nicht.	Die Kamera ist nicht korrekt angeschlossen.	► Schließen Sie die Kamera neu an (siehe Kapitel „Kamera anschließen“ auf Seite 22).
	Ein Anschlusskabel ist defekt.	► Wenden Sie sich an einen zugelassenen Kundendienstbetrieb.
	Die Kamera ist defekt.	► Wenden Sie sich an einen zugelassenen Kundendienstbetrieb.
Das von der Kamera erzeugte Bild ist verschwommen oder dunkel.	Die Kamera ist nicht sauber.	► Reinigen Sie die Kamera (siehe Kapitel „Reinigung und Pflege“ auf Seite 23).

## 11 Garantie

Es gilt die gesetzliche Gewährleistungsfrist. Sollte das Produkt defekt sein, wenden Sie sich bitte an Ihren Fachhändler oder die Niederlassung des Herstellers in Ihrem Land (siehe [dometic.com/dealer](http://dometic.com/dealer)).

Bitte senden Sie bei einem Reparatur- bzw. Gewährleistungsantrag folgende Unterlagen mit dem Produkt ein:

- eine Kopie der Rechnung mit Kaufdatum
- einen Reklamationsgrund oder eine Fehlerbeschreibung

Bitte beachten Sie, dass eigenständig oder nicht fachgerecht durchgeführte Reparaturen die Sicherheit gefährden und zum Erlöschen der Garantie führen können.

## 12 Entsorgung

### Recycling von Verpackungsmaterial



- Geben Sie das Verpackungsmaterial möglichst in den entsprechenden Recycling-Müll.


### Recycling von Produkten mit Batterien, wiederaufladbaren Akkus oder Leuchtmitteln



- Entfernen Sie Batterien, wiederaufladbare Akkus und Leuchtmittel, bevor Sie das Produkt recyceln.
- Geben Sie bitte Ihre defekten Akkus oder verbrauchten Batterien beim Händler oder bei einer Sammelstelle ab.
- Batterien, wiederaufladbare Akkus und Leuchtmittel gehören nicht in den Haushaltsmüll.
- Wenn Sie das Gerät endgültig entsorgen möchten, informieren Sie sich bitte bei Ihrem Wertstoffhof vor Ort oder bei Ihrem Fachhändler, wie dies gemäß den geltenden Entsorgungsvorschriften zu tun ist.
- Das Produkt kann kostenlos entsorgt werden.



## 13 Technische Daten

	CAM35-2.0 REAR	CAM35-2.0 TWIN	
		RÜCKFAHRKAMER	FERNSICHTKAMERA
Bildsensor	1/2,9-Zoll-CMOS		
Bildpunkte AHD CVBS	1280 (H) x 720 (V) 960 (H) x 576 (V)		
Videostandard (AHD und CVBS)	PAL		
Empfindlichkeit	< 1 lux		
Lichtkegelwinkel AHD CVBS	H: 122 ± 3° V: 94 ± 3° H: 118 ± 3° V: 90 ± 3°		H: 80 ± 3° V: 50 ± 3° H: 80 ± 3° V: 44 ± 3°
Betriebsspannung Kamera LED	6 – 16 V 9 – 16 V		
Verbrauch AHD CVBS LED	< 1,68 W < 1,8 W < 3,24 W	< 2,52 W < 2,64 W < 3,24 W	
Betriebstemperatur	-40 °C bis 85 °C		
Schutzart	IP69k		
Vibrationsfestigkeit	ISO 16750-3:2023 4.1.9.2 (IEC 60068-2-64)		
Abmessungen (B x H x T)	379,9 x 83,66 x 51,7 mm		
Gewicht	230 g	250 g	
Prüf- und Zertifizierungszeichen			

Veillez lire et suivre attentivement l'ensemble des instructions, directives et avertissements figurant dans ce manuel afin d'installer, d'utiliser et d'entretenir le produit correctement à tout moment. Ces instructions DOIVENT rester avec le produit.

En utilisant ce produit, vous confirmez expressément avoir lu attentivement l'ensemble des instructions, directives et avertissements et que vous comprenez et acceptez de respecter les modalités et conditions énoncées dans le présent document. Vous acceptez d'utiliser ce produit uniquement pour l'usage et l'application prévus et conformément aux instructions, directives et avertissements figurant dans le présent manuel, ainsi qu'à toutes les lois et réglementations applicables. En cas de non-respect des instructions et avertissements figurant dans ce manuel, vous risquez de vous blesser ou de blesser d'autres personnes, d'endommager votre produit ou d'endommager d'autres biens à proximité. Le présent manuel produit, y compris les instructions, directives et avertissements, ainsi que la documentation associée peuvent faire l'objet de modifications et de mises à jour. Pour obtenir des informations actualisées sur le produit, veuillez consulter le site [documents.dometic.com](http://documents.dometic.com).

## Sommaire

1	Signification des symboles	26
2	Consignes de sécurité	27
3	Contenu de la livraison	29
4	Groupes cible	29
5	Usage conforme	29
6	Description technique	30
7	Installation	30
8	Utilisation	32
9	Nettoyage et entretien	32
10	Dépannage	33
11	Garantie	33
12	Mise au rebut	33
13	Caractéristiques techniques	34

## 1 Signification des symboles



### **DANGER !**

**Consignes de sécurité :** indiquent une situation dangereuse qui, si elle n'est pas évitée, entraînera des blessures graves, voire mortelles.



### **AVERTISSEMENT !**

**Consignes de sécurité :** indiquent une situation dangereuse qui, si elle n'est pas évitée, est susceptible d'entraîner des blessures graves, voire mortelles.



### **ATTENTION !**

**Consignes de sécurité :** indiquent une situation dangereuse qui, si elle n'est pas évitée, est susceptible d'entraîner des blessures légères ou de gravité modérée.



### **AVIS !**

indiquent une situation dangereuse qui, si elle n'est pas évitée, peut entraîner des dommages matériels.

## 2 Consignes de sécurité

**Respectez les consignes de sécurité et autres prescriptions imposées par le constructeur du véhicule et par les professionnels de l'automobile.**

**Respectez les consignes légales en vigueur.**



**DANGER ! Le non-respect de cette mise en garde entraînera des blessures graves, voire mortelles.**

### Risque d'explosion

- La caméra n'exempte pas le conducteur de son devoir de vigilance lors de la conduite.
- Le conducteur reste entièrement responsable de la conduite du véhicule, du respect de ses obligations en matière de sécurité routière et de sa conformité aux exigences légales de sécurité routière.



**AVERTISSEMENT ! Le non-respect de ces mises en garde peut entraîner des blessures graves, voire mortelles.**

### Risque de blessure

- Cet appareil peut être utilisé par des enfants âgés de 8 ans et plus et des personnes ayant des capacités physiques, sensorielles ou mentales réduites ou un manque d'expérience et de connaissances, s'ils sont sous surveillance ou ont reçu des instructions sur l'utilisation de l'appareil en toute sécurité et comprennent les risques impliqués.
- Fixez les pièces installées dans le véhicule de manière à ce qu'elles ne puissent en aucun cas se desserrer (freinage abrupt, accident) et risquer de causer des blessures aux occupants du véhicule.
- N'installez pas les pièces dans le champ d'action d'un airbag, sans quoi il risque de blesser les passagers en cas de déploiement de l'airbag.
- Tout raccordement électrique inadéquat peut provoquer des courts-circuits ayant pour conséquence :
  - des incendies de câbles
  - le déclenchement de l'airbag
  - l'endommagement de dispositifs électroniques de commande
  - des dysfonctionnements électriques (clignotant, feu stop, avertisseur sonore, allumage, feux).



**ATTENTION ! Le non-respect de ces mises en garde peut entraîner des blessures légères ou de gravité modérée.**

### Risque de blessure

- Fixez les pièces du système sous l'habillage de telle sorte qu'elles ne puissent pas se détacher, endommager d'autres pièces ou câbles, ni gêner le fonctionnement du véhicule (direction, pédales, etc.).
- Respectez toujours les consignes de sécurité du fabricant du véhicule. Certains travaux (p. ex. au niveau des systèmes de rétention, tels que l'airbag, etc.) doivent uniquement être effectués par du personnel qualifié spécialisé.



### AVIS !

#### Risque d'endommagement

- Avant de percer des trous, assurez-vous que vous disposez d'un espace suffisant de l'autre côté du trou à percer afin que la mèche n'occasionne aucun dégât.
- Ébavurez tous les trous et protégez-les avec un enduit anticorrosif.
- Lors de travaux sur le système électrique, les batteries doivent être débranchées de la masse du véhicule. Ceci s'applique aux batteries principale et supplémentaire.

- Pour tous les travaux sur les lignes électriques suivantes, n'utilisez que des cosses de câble, fiches et contacts plats isolés :
  - 30 (entrée directe du pôle positif de la batterie)
  - 15 (pôle positif commuté, derrière la batterie)
  - 31 (câble de retour à partir de la batterie, masse)
  - 58 (feu de recul)N'utilisez **pas** de serre-fils en porcelaine.
- Utilisez une pince à sertir pour relier les câbles.
- Pour les raccordements au câble 31 (masse), vissez le câble.
  - Vissez le câble avec une cosse de câble et une rondelle de verrouillage à une vis de masse du véhicule, ou
  - avec une cosse de câble et une vis à tôle à la tôle de la carrosserie.Assurez-vous que le raccordement à la masse est correct.
- Si la batterie est débranchée, toutes les données enregistrées sur les mémoires volatiles seront perdues. Il peut s'avérer nécessaire de réinitialiser les données. Veuillez suivre les instructions du constructeur du véhicule, dans ce cas. Les instructions pour effectuer ces réglages se trouvent dans le manuel d'utilisation.
- Pour contrôler la tension dans les câbles électriques, utilisez uniquement une lampe-témoin à diodes ou un voltmètre.  
Les lampes étalons à corps lumineux absorbent des courants trop élevés qui pourraient endommager les systèmes électroniques du véhicule.
- Lors des connexions électriques, vérifiez les points suivants :
  - ne soient ni fortement pliés, ni tordus
  - ne frottent pas contre des arêtes
  - ne soient pas placés dans des ouvertures à arêtes vives sans protection
- Isolez tous les raccordements.
- Protégez les câbles contre les contraintes mécaniques à l'aide de serre-câbles ou de rubans isolants ; par exemple, en les fixant aux lignes existantes.
- Suivez les instructions de montage et de service du moniteur.
- N'ouvrez pas la caméra.
- Ne tirez pas sur les câbles.
- N'exposez pas les câbles à des solvants tels que le benzène pendant de longues périodes.
- N'utilisez pas les caméras sous l'eau.
- Installez les câbles suffisamment loin des pièces chaudes ou mobiles du véhicule (tuyaux d'échappement, arbres d'entraînement, feux, souffleries, chauffages, etc.).

### 3 Contenu de la livraison

**CAM35-2.0 REAR** : fig. 1, page 3

**CAM35-2.0 TWIN** : fig. 2, page 4

Pos.	Quantité	Description	N° de réf.
1	1	Caméra CAM35-2.0 REAR CAM35-2.0 TWIN	9620012436 9620012438
2	1	Joint	-
3	1	Adaptateur en Y CAM	9600000552
4	1	Adaptateur NAV	9620012441
5	1	Câble système de 15 m	9600001662
-	1	Câble de connexion d'éclairage de 1,5 m	-
-	2	Vis de fixation 6 x 25 mm	-

### 4 Groupes cible



L'alimentation électrique doit être raccordée par un électricien agréé disposant des compétences et connaissances structurelles et fonctionnelles requises en matière d'équipements et d'installations électriques, au fait des réglementations en vigueur dans le pays dans lequel l'équipement doit être installé et/ou utilisé, et ayant suivi une formation de sécurité pour identifier et éviter les dangers impliqués.

### 5 Usage conforme

La caméra est conçue pour une utilisation dans les véhicules Fiat Ducato, Citroën Jumper et Peugeot Boxer avec toit simple à partir de l'année-modèle 2006. La console de la caméra est montée entre la carrosserie et le feu de stop. Elle peut être utilisée sur les systèmes vidéo permettant d'observer la zone située à l'arrière du véhicule depuis le siège conducteur lors des manœuvres ou du stationnement.

Ce produit convient uniquement à l'usage et à l'application prévus, conformément au présent manuel d'instructions.

Ce manuel fournit les informations nécessaires à l'installation et/ou à l'utilisation correcte du produit. Une installation, une utilisation ou un entretien inappropriés entraînera des performances insatisfaisantes et une éventuelle défaillance.

Le fabricant décline toute responsabilité en cas de blessure ou de dommage résultant :

- d'un montage ou d'un raccordement incorrect, y compris d'une surtension
- d'un entretien inadéquat ou de l'utilisation de pièces de rechange autres que les pièces de rechange d'origine fournies par le fabricant
- de modifications apportées au produit sans autorisation explicite du fabricant
- d'usages différents de ceux décrits dans ce manuel.

Dometic se réserve le droit de modifier l'apparence et les spécifications produit.

## 6 Description technique

Le module de caméra de recul et le module de caméra longue distance (CAM35 2.0 TWIN **uniquement**) sont intégrés à une console pour le feu stop d'origine. L'image de caméra est transmise à l'écran par un câble système. La caméra peut également être connectée au système de navigation Fiat Uconnect.

La caméra se compose des éléments suivants :

N° sur la fig. <b>3</b> , page 5	Description
1	Module de caméra de recul
2	Module de caméra longue distance (CAM35-2.0 TWIN <b>uniquement</b> )
3	Câble de connexion à 6 broches pour le module de caméra longue distance (CAM35-2.0 TWIN <b>uniquement</b> )
4	Câble de connexion à 6 broches pour le module de caméra de recul
5	Câble de connexion à 2 conducteurs pour l'éclairage de la caméra
6	Éclairage de la caméra

Le modèle CAM35-2.0 est équipé d'un adaptateur permettant le raccordement à un moniteur doté d'un connecteur à 6 broches et à un moniteur doté d'un connecteur RCA (entrée A/V).

**CAM35-2.0 TWIN uniquement** : L'électronique de commutation de caméra permet aux deux modules de caméra d'être utilisés via une seule entrée A/V.

## 7 Installation

### 7.1 Démontage du feu de stop

1. Retirez les vis du feu stop (fig. **4**, page 5).
2. Débranchez le feu stop du véhicule (fig. **5**, page 6).

### 7.2 Pose des câbles



#### AVIS ! Risque d'endommagement

- Avant de percer des trous, vérifiez que l'espace est suffisant de l'autre côté de la paroi pour le passage de la mèche.
- Toute erreur de pose ou de branchement des câbles entraîne presque toujours des dysfonctionnements ou des détériorations des composants. Installez les câbles et les connecteurs comme indiqué.
- N'exposez pas les câbles à des solvants tels que le benzène pendant une longue période.



#### REMARQUE

Posez les câbles de manière à ce que le connecteur entre la caméra et le câble d'extension soit facilement accessible.

Respectez les instructions suivantes :

- Posez les câbles en utilisant les gaines d'origine ou d'autres options adaptées, telles que les bordures de garnitures, les grilles d'aération ou les bouchons. Si aucune ouverture n'est disponible, percez des trous pour le passage des câbles.

- Posez les câbles à l'intérieur du véhicule. Si un câble doit être posé à l'extérieur du véhicule, assurez-vous qu'il est bien fixé (utilisez des attaches de câble supplémentaires, du ruban isolant, etc.).
  - Assurez-vous que les câbles sont suffisamment éloignés des composants chauds ou mobiles du véhicule (tubes d'échappement, arbres d'entraînement, systèmes d'éclairage, ventilateurs, chauffages, etc.). Pour assurer la protection mécanique des câbles, veuillez utiliser des tubes ondulés ou autres matériaux de protection.
  - Assurez-vous que les câbles ne sont pas pliés ou vrillés.
  - Assurez-vous que les câbles ne frottent pas contre des arêtes.
  - Assurez-vous que les câbles ne sont pas posés dans des gaines à bords tranchants sans protection.
  - Fixez soigneusement les câbles à l'intérieur du véhicule pour éviter tout risque de trébuchement. Utilisez des attaches de câble, du ruban isolant ou collez les câbles en place avec des adhésifs.
- Posez les câbles du système.

### 7.3 Connexion de la caméra



#### REMARQUE

Appliquez une petite quantité de graisse (ex. : graisse mécanique) sur les connecteurs pour éviter leur corrosion.

1. Faites passer le connecteur du feu de stop au travers de la console.
2. Rebranchez le connecteur du feu stop à ce dernier (fig. **6**, page 6).
3. Connectez la caméra comme illustré (fig. **7**, page 7).



#### REMARQUE

Branchez le câble de connexion à 2 conducteurs (fig. **3** **5**, page 5) à une borne d'alimentation 12 V délivrant une alimentation **uniquement** lorsque le véhicule est stationné. La loi interdit l'allumage de l'éclairage de la caméra pendant la conduite. La connexion exacte au véhicule dépend du véhicule. Suivez les instructions du constructeur du véhicule.

Légende :

N° sur la fig. <b>7</b> , page 7	Description
1	Câble de connexion à 6 broches pour le module de caméra de recul
2	Adaptateur en Y CAM
3	Écran
4	Câble de connexion pour la marche arrière
5	Connecteur à 6 broches pour le moniteur
6	Connecteur RCA pour le moniteur
7	Câble système
8	Câble de connexion à 6 broches pour le module de caméra longue distance (CAM35-2.0 TWIN <b>uniquement</b> )
9	Caméra CAM35-2.0 REAR ou CAM35-2.0 TWIN
10	Câble de connexion de l'éclairage

N° sur la fig. <b>7</b> , page 7	Description
bk	Connexion à la masse noire
rd	Connexion 12 V <sup>==</sup> rouge

## 7.4 Protection des connecteurs

- Scellez les connecteurs branchés avec du ruban adhésif hydrofuge pour les protéger des infiltrations d'eau (fig. **8**, page 8).

## 7.5 Montage de la caméra (fig. **9**, page 8)



### REMARQUE

Acheminez les câbles de la caméra dans la partie inférieure de la console jusqu'aux encoches, afin de ne pas les pincer.

1. Placez le feu stop dans l'ouverture de la caméra.
2. Fixez la caméra avec deux vis de fixation 6 x 25 mm.

## 8 Utilisation

La caméra peut être utilisée via le moniteur après la connexion.

Suivez les instructions du fabricant du moniteur.

## 9 Nettoyage et entretien



### AVIS ! Risque d'endommagement

N'utilisez pas d'objets pointus ou durs ni de produits de nettoyage abrasifs ou d'eau de javel pour le nettoyage.

- Nettoyez régulièrement l'appareil à l'aide d'un chiffon humide.
- Vérifiez régulièrement que les câbles ou les fils sous tension sont exempts de défauts d'isolation, de coupures ou de connexions desserrées.



## 10 Dépannage

Panne	Cause possible	Solution
La caméra ne fonctionne pas.	La caméra n'est pas connectée correctement.	► Reconnectez la caméra (voir chapitre « Connexion de la caméra », page 31).
	Un câble de connexion est défectueux.	► Contactez un agent de service agréé.
	La caméra est défectueuse.	► Contactez un agent de service agréé.
L'image générée par la caméra est floue ou sombre.	La caméra n'est pas propre.	► Nettoyez la caméra (voir chapitre « Nettoyage et entretien », page 32).

## 11 Garantie

La période de garantie légale s'applique. Si le produit est défectueux, contactez votre revendeur ou la filiale locale du fabricant (voir [dometic.com/dealer](http://dometic.com/dealer)).

Pour toutes réparations ou autres prestations de garantie, veuillez joindre au produit les documents suivants :

- une copie de la facture avec la date d'achat
- un motif de réclamation ou une description du dysfonctionnement

Notez que toute réparation effectuée par une personne non agréée peut présenter un risque de sécurité et annuler la garantie.

## 12 Mise au rebut

### Recyclage des emballages




- Dans la mesure du possible, jetez les emballages dans les conteneurs de déchets recyclables prévus à cet effet.

### Recyclage des produits avec des piles, des batteries et des sources lumineuses rechargeables



- Retirez toutes les piles, batteries et sources lumineuses rechargeables avant de recycler le produit.
- Rapportez les piles défectueuses ou les batteries usagées à votre revendeur ou à un centre de collecte.
- Les piles, les batteries et les sources lumineuses rechargeables usagées ne sont pas des déchets ménagers.
- Si vous souhaitez mettre le produit au rebut, contactez le centre de recyclage le plus proche ou votre revendeur spécialisé afin d'être informé des réglementations liées au traitement des déchets.
- Le produit peut être mis au rebut gratuitement.

**13 Caractéristiques techniques**

	CAM35-2.0 REAR	CAM35-2.0 TWIN	
		REAR	FAR
Capteur d'image	CMOS 1/2,9 po		
Pixels AHD CVBS	1280 (H) X720 (V) 960 (H) X576 (V)		
Norme vidéo (AHD et CVBS)	PAL		
Sensibilité	< 1 lux		
Angle de vision AHD CVBS	H : 122 ± 3° V : 94 ± 3° H : 118 ± 3° V : 90 ± 3°		H : 80 ± 3° V : 50 ± 3° H : 80 ± 3° V : 44 ± 3°
tension de service Caméra LED	6 – 16 V 9 – 16 V		
Consommation AHD CVBS LED	< 1,68 W < 1,8 W < 3,24 W	< 2,52 W < 2,64 W < 3,24 W	
Température de fonctionnement	-40 °C à 85 °C		
Classe de protection	IP69k		
Résistance aux vibrations	ISO 16750-3:2023 4.1.9.2 (CEI 60068-2-64)		
Dimensions (L x H x P)	379,9 x 83,66 x 51,7 mm		
Poids	230g	250g	
Marques de test et de certification			

Lea atentamente estas instrucciones y siga las indicaciones, directrices y advertencias incluidas en este manual para asegurarse de que instala, usa y mantiene correctamente el producto en todo momento. Estas instrucciones DEBEN permanecer con este producto.

Al usar el producto, usted confirma que ha leído cuidadosamente todas las instrucciones, directrices y advertencias, y que entiende y acepta cumplir los términos y condiciones aquí establecidos. Usted se compromete a usar este producto solo para el propósito y la aplicación previstos y de acuerdo con las instrucciones, directrices y advertencias establecidas en este manual del producto, así como de acuerdo con todas las leyes y reglamentos aplicables. La no lectura e incumplimiento de las instrucciones y advertencias aquí expuestas puede causarles lesiones a usted o a terceros, daños en el producto o daños en otras propiedades cercanas. Este manual del producto, incluyendo las instrucciones, directrices y advertencias, y la documentación relacionada, pueden estar sujetos a cambios y actualizaciones. Para obtener información actualizada sobre el producto, visite la página [documents.dometic.com](http://documents.dometic.com).

## Índice

1	Explicación de los símbolos	35
2	Indicaciones de seguridad	36
3	Volumen de entrega	38
4	Personal al que va dirigido el manual	38
5	Uso previsto	38
6	Descripción técnica	39
7	Instalación	39
8	Funcionamiento	41
9	Limpieza y mantenimiento	41
10	Solución de problemas	42
11	Garantía	42
12	Gestión de residuos	42
13	Datos técnicos	43

## 1 Explicación de los símbolos



### ¡PELIGRO!

**Indicación de seguridad:** Indica una situación peligrosa que, de no evitarse, ocasionará la muerte o lesiones graves.



### ¡ADVERTENCIA!

**Indicación de seguridad:** Indica una situación peligrosa que, de no evitarse, puede ocasionar la muerte o lesiones graves.



### ¡ATENCIÓN!

**Indicación de seguridad:** Indica una situación peligrosa que, de no evitarse, puede ocasionar lesiones moderadas o leves.



### ¡AVISO!

Indica una situación peligrosa que, de no evitarse, puede provocar daños materiales.

## 2 Indicaciones de seguridad

**Tenga en cuenta las indicaciones de seguridad y la documentación suministrada por el fabricante del vehículo y los talleres de servicio.**

**Cumpla siempre las normas legales vigentes.**



**¡PELIGRO! El incumplimiento de estas advertencias puede acarrear la muerte o lesiones graves.**

### **Peligro de explosión**

- La cámara no exige a la persona al volante del deber de conducir con cuidado.
- La persona al volante sigue siendo plenamente responsable de la conducción del vehículo, del cumplimiento de sus obligaciones en materia de seguridad vial y del cumplimiento de las disposiciones legales de seguridad vial.



**¡ADVERTENCIA! El incumplimiento de estas advertencias podría acarrear la muerte o lesiones graves.**

### **Peligro de lesiones**

- Esta cámara puede ser utilizada por menores a partir de 8 años y personas con capacidad física, sensorial o mental reducida, o con falta de experiencia y conocimientos, siempre que lo hagan bajo supervisión o hayan recibido instrucciones relativas al uso seguro de la batería y entendiendo los riesgos asociados.
- Fije bien las piezas montadas en el vehículo de modo que no se puedan soltar bajo ninguna circunstancia (frenadas bruscas, accidentes) y, con ello, ocasionar heridas a los ocupantes del vehículo.
- No monte las piezas en el área de acción de un airbag. De lo contrario, existe el riesgo de sufrir lesiones en caso de que el airbag se despliegue.
- Las conexiones de cables incorrectas pueden provocar cortocircuitos que, a su vez, podrían causar:
  - Incendios de cables
  - Activación del airbag
  - Daños en los dispositivos electrónicos de control
  - Fallos eléctricos (intermitentes, luz de freno, bocina, encendido, luces).



**¡ATENCIÓN! El incumplimiento de estas precauciones podría acarrear lesiones moderadas o leves.**

### **Peligro de lesiones**

- Fije ocultas bajo revestimientos las partes del sistema que se deban montar, de manera que no puedan soltarse o dañar otras piezas ni cables, y de manera que no puedan afectar a las funciones del vehículo (dirección, pedales, etc.).
- Tenga en cuenta siempre las indicaciones de seguridad del fabricante del vehículo. Determinados trabajos (por ejemplo, en sistemas de retención como el airbag, etc.) solo los puede realizar personal especializado y con la debida formación.



**¡AVISO!**

### **Peligro de daños**

- Cuando realice perforaciones, asegúrese de que hay suficiente espacio para la salida de la broca y evitar así que se produzcan daños.
- Desbarbe las perforaciones y aplíqueles un producto anticorrosivo.
- Al trabajar en el sistema eléctrico, las baterías deben estar separadas de la masa del vehículo. Esto rige para las baterías principales y las adicionales.

- Al trabajar en los siguientes cables, utilice solo terminales de cable, clavijas y manguitos planos provistos de aislamiento:
  - 30 (entrada directa del polo positivo de la batería)
  - 15 (polo positivo conectado, detrás de la batería)
  - 31 (cable de retorno de la batería, masa)
  - 58 (luz de marcha atrás)
- **No** utilice conectores de cable de porcelana.
- Utilice una crimpadora para conectar los cables.
- Cuando conecte el cable 31 (masa):
  - Atornille el cable mediante un terminal de cable y una arandela de seguridad a uno de los pernos de masa del vehículo, o bien
  - a la chapa de la carrocería utilizando un terminal de cable y un tornillo para chapa.Asegúrese de que haya una buena conexión a masa.
- Si se desconecta la batería, se perderán todos los datos almacenados en todas las memorias volátiles. Es posible que haya que reiniciar los datos. En este caso, siga las instrucciones dadas por el fabricante del vehículo. Las instrucciones para realizar estos ajustes se pueden encontrar en las instrucciones de uso.
- Para comprobar la tensión en los cables eléctricos, utilice exclusivamente un diodo de comprobación o un voltímetro.  
Las lámparas de prueba con un elemento luminoso producen un consumo de corriente demasiado elevado por lo que puede dañarse el sistema electrónico del vehículo.
- Al realizar las conexiones eléctricas, asegúrese de que estas:
  - No se doblen ni se retuerzan
  - No rocen con bordes
  - No se tiendan sin protección a través de guías con aristas afiladas.
- Aísle todos los empalmes y conexiones.
- Asegure los cables contra carga mecánica con sujetacables o cinta aislante en las líneas existentes.
- Siga las instrucciones de montaje y uso del monitor.
- No abra la cámara.
- No tire de los cables.
- No exponga los cables a disolventes como el benceno durante largos periodos de tiempo.
- No utilice las cámaras bajo el agua.
- Instale los cables lo suficientemente lejos de piezas calientes o móviles del vehículo (tubos de escape, tubos de escape de los ejes de transmisión, ejes de transmisión, luces, ventiladores, calefactores, etc.).

### 3 Volumen de entrega

**CAM35-2.0 REAR:** fig. **1**, página 3

**CAM35-2.0 TWIN:** fig. **2**, página 4

Núm.	Cantidad	Descripción	N.º de art.
1	1	Cámara CAM35-2.0 REAR CAM35-2.0 TWIN	9620012436 9620012438
2	1	Junta	-
3	1	Adaptador en Y CAM	9600000552
4	1	Adaptador NAV	9620012441
5	1	Cable del sistema 15 m	9600001662
-	1	Cable de conexión de luz 1,5 m	-
-	2	Tornillos de fijación 6 x 25 mm	-

### 4 Personal al que va dirigido el manual



El suministro de energía eléctrica debe ser conectado por un electricista cualificado que tenga capacidad demostrada y conocimientos relacionados con la construcción y el funcionamiento de equipos e instalaciones eléctricas, y que haya recibido formación en materia de seguridad para identificar y evitar los peligros asociados.

### 5 Uso previsto

La cámara está diseñada para la instalación en los modelos Fiat Ducato, Citroën Jumper y Peugeot Boxer a partir del año de fabricación 2006 con techo sencillo. La consola de la cámara se monta entre la carrocería y las luces de freno. Se puede utilizar en sistemas de vídeo destinados a observar la zona trasera del vehículo desde el asiento del conductor al maniobrar o al aparcar.

Este producto solo es apto para el uso previsto y la aplicación de acuerdo con estas instrucciones.

Este manual proporciona la información necesaria para la correcta instalación y/o funcionamiento del producto. Una instalación deficiente y/o un uso y mantenimiento inadecuados conllevan un rendimiento insatisfactorio y posibles fallos.

El fabricante no se hace responsable de ninguna lesión o daño en el producto ocasionados por:

- Un montaje o conexión incorrectos, incluido un exceso de tensión
- Un mantenimiento incorrecto o el uso de piezas de repuesto distintas de las originales proporcionadas por el fabricante
- Modificaciones realizadas en el producto sin el expreso consentimiento del fabricante
- Uso con una finalidad distinta de la descrita en las instrucciones

Dometic se reserva el derecho de cambiar la apariencia y las especificaciones del producto.

## 6 Descripción técnica

El módulo de cámara para marcha atrás y el módulo para visión a distancia (**solo** CAM35 2.0 TWIN) se alojan en la consola de luces de freno original. La imagen de la cámara se transmite al monitor a través de un cable del sistema. La cámara también se puede conectar al sistema de navegación de Fiat Uconnect.

La cámara consta de los siguientes elementos:

N.º en fig. <b>3</b> , página 5	Descripción
1	Módulo de cámara de marcha atrás
2	Módulo de cámara para visión a distancia ( <b>solo</b> CAM35-2.0 TWIN)
3	Cable de conexión de 6 pines para el módulo de cámara para visión a distancia ( <b>solo</b> CAM35-2.0 TWIN)
4	Cable de conexión de 6 pines para el módulo de cámara de marcha atrás
5	Cable de conexión de 2 núcleos para la luz de la cámara
6	Luz de la cámara

El módulo CAM35-2.0 está equipado con un adaptador que permite la conexión a un monitor con un conector de 6 pines y a un monitor con un conector RCA (entrada A/V).

**Solo CAM35-2.0 TWIN:** El sistema electrónico de conmutación de la cámara permite que los dos módulos funcionen a través de una sola entrada A/V.

## 7 Instalación

### 7.1 Desmontaje de las luces de freno

1. Extraiga los dos tornillos de la luz de freno (fig. **4**, página 5).
2. Desconecte del vehículo la luz de freno (fig. **5**, página 6).

### 7.2 Tendido de cables



#### ¡AVISO! Peligro de daños

- Antes de realizar agujeros, compruebe primero si al otro lado hay espacio libre suficiente para la broca del taladro.
- La colocación y las conexiones de cables que no hayan sido realizadas por personal especializado, generalmente tienen como consecuencia el mal funcionamiento o daños en los componentes. Instale los cables y los conectores tal como se indica.
- No exponga los cables a líquidos disolventes como el benceno durante un periodo de tiempo prolongado.



#### NOTA

Coloque los cables de forma que el conector situado entre la cámara y el cable de extensión sea fácilmente accesible.

Tenga en cuenta las siguientes instrucciones:

- Para tender los cables de conexión utilice canales de paso originales u otras posibilidades, como bordes revestidos, rejillas de ventilación o clavijas ciegas. Si no existe ningún canal de paso previo, realice las perforaciones para los cables.
  - Tienda los cables dentro del vehículo. Si es necesario tender un cable por fuera del vehículo, asegúrese de que quede bien amarrado (utilice bridas, cinta aislante, etc.).
  - Asegúrese de que los cables estén lo suficientemente alejados de elementos del vehículo calientes y en movimiento (tubos de escape, ejes de transmisión, sistemas de luces, ventiladores, calefacción, etc.). Como protección mecánica utilice tubo ondulado o material protector de semejantes características.
  - Asegúrese de que los cables no queden doblados ni retorcidos.
  - Asegúrese de que los cables no rocen ningún borde.
  - Asegúrese de que los cables no estén colocados en conductos con bordes afilados sin protección.
  - Fije los cables al vehículo de un modo seguro, para evitar un enganche (peligro de caídas). Utilice abrazaderas, cinta aislante o pegue los cables con adhesivos.
- Tienda los cables del sistema.

### 7.3 Conexión de la cámara



#### NOTA

Aplique una pequeña cantidad de grasa para conexiones eléctricas en los conectores para evitar su corrosión.

1. Pase la clavija de luz de freno por la consola.
2. Vuelva a enchufar la clavija a la luz de freno (fig. 6, página 6).
3. Conecte la cámara tal como se muestra (fig. 7, página 7).



#### NOTA

Conecte el cable de conexión de 2 núcleos (fig. 3 5, página 5) a un terminal de alimentación de 12 V que suministre corriente **únicamente** cuando el vehículo esté estacionado. La ley no permite que la luz de la cámara se encienda durante la conducción. La conexión exacta con el vehículo depende del modelo de vehículo. Siga las instrucciones del fabricante del vehículo.

Leyenda:

N.º en fig. 7, página 7	Descripción
1	Cable de conexión de 6 pines para el módulo de cámara de marcha atrás
2	Adaptador en Y CAM
3	Monitor
4	Cable de conexión de la marcha atrás
5	Clavija 6 pines para el monitor
6	Conector RCA para el monitor
7	Cable del sistema
8	Cable de conexión de 6 pines para el módulo de cámara de visión a distancia (solo CAM35-2.0 TWIN)



N.º en fig. 7, página 7	Descripción
9	Cámara CAM35-2.0 REARE o CAM35-2.0 TWIN
10	Cable de conexión de la luz
bk	Cable negro (black) de conexión a tierra
rd	Cable rojo (red) de conexión de 12 V <sup>==</sup>

## 7.4 Protección de los conectores

- ▶ Selle los conectores unidos utilizando cinta adhesiva impermeable para protegerlos del agua (fig. 8, página 8).

## 7.5 Montaje de la cámara (fig. 9, página 8)



### NOTA

Pase los cables de la cámara por la parte inferior de la consola hasta las muescas para que no queden atrapados.

1. Coloque la luz de freno en la abertura de la cámara.
2. Fije la cámara con dos tornillos de fijación 6 x 25 mm.

## 8 Funcionamiento

La cámara se puede utilizar a través del monitor una vez conectado.

Siga las instrucciones del fabricante del monitor.

## 9 Limpieza y mantenimiento



### ¡AVISO! Peligro de daños

No utilice objetos afilados o duros, productos de limpieza abrasivos ni lejía para limpiar el aparato.

- ▶ Limpie de vez en cuando el aparato con un paño suave y húmedo.
- ▶ Compruebe regularmente si hay fallos de aislamiento, roturas o conexiones sueltas en los cables con tensión y el resto de líneas.

## 10 Solución de problemas

Fallo	Posible causa	Solución
La cámara no funciona.	La cámara no está conectada correctamente.	► Vuelva a conectar la cámara (véase capítulo "Conexión de la cámara" en la página 40).
	Un cable de conexión está defectuoso.	► Póngase en contacto con un técnico de mantenimiento autorizado.
	La cámara está defectuosa.	► Póngase en contacto con un técnico de mantenimiento autorizado.
La imagen captada por la cámara está borrosa u oscura.	La cámara no está limpia.	► Limpie la cámara (véase capítulo "Limpieza y mantenimiento" en la página 41).

## 11 Garantía

Se aplica el período de garantía estipulado por la ley. Si el producto está defectuoso, contacte con el punto de venta o con la sucursal del fabricante en su país (visite [dometic.com/dealer](http://dometic.com/dealer)).

Para tramitar la reparación y la garantía, incluya los siguientes documentos cuando envíe el producto:

- Una copia de la factura con fecha de compra
- El motivo de la reclamación o una descripción de la avería

Tenga en cuenta que una reparación por medios propios o no profesionales puede tener consecuencias de seguridad y suponer la anulación de la garantía.

## 12 Gestión de residuos

### Reciclaje de materiales de embalaje




- Si es posible, deseche el material de embalaje en el contenedor de reciclaje adecuado.

### Reciclaje de productos con pilas, baterías recargables y fuentes de luz



- Quite todas las pilas, baterías recargables y fuentes de luz antes de reciclar el producto.
- Entregue las baterías defectuosas o usadas en un establecimiento especializado o deposítelas en un punto de recogida de residuos.
- No deseche ninguna pila, batería recargable ni fuente de luz con la basura doméstica.
- Cuando vaya a desechar definitivamente el producto, infórmese en el centro de reciclaje más cercano o en un comercio especializado sobre las normas pertinentes de gestión de residuos.
- El producto podrá desecharse gratuitamente.

## 13 Datos técnicos

	CAM35-2.0 REAR	CAM35-2.0 TWIN	
		REAR	FAR
Sensor de imagen	CMOS de 1/2,9 pulgadas		
Píxeles AHD CVBS	1280 (H) x 720 (V) 960 (H) x 576 (V)		
Formato de vídeo (AHD y CVBS)	PAL		
Sensibilidad	< 1 lux		
Ángulo de visión AHD CVBS	H: 122 ± 3° V: 94 ± 3° H: 118 ± 3° V: 90 ± 3°		H: 80 ± 3° V: 50 ± 3° H: 80 ± 3° V: 44 ± 3°
Tensión de funciona- miento Cámara LED	6 – 16 V 9 – 16 V		
Consumo AHD CVBS LED	<1,68 W <1,8 W <3,24 W	<2,52 W <2,64 W <3,24 W	
Temperatura de funcio- namiento	De -40 °C a 85 °C		
Clase de protección	IP69k		
Resistencia a vibracio- nes	ISO 16750-3:2023 4.1.9.2 (IEC 60068-2-64)		
Dimensiones (An x Al x Pr)	379,9 x 83,66 x 51,7 mm		
Peso	230 g	250 g	
Marcas de prueba y certificación			

Leia atentamente as presentes instruções e siga todas as instruções, orientações e avisos incluídos neste manual, de modo a garantir sempre a correta instalação, utilização e manutenção do produto. É OBRIGATÓRIO manter estas instruções junto com o produto.

Ao utilizar o produto, está a confirmar que leu atentamente todas as instruções, orientações e avisos, e que compreende e aceita cumprir os termos e condições estabelecidos no presente manual. Aceita utilizar este produto exclusivamente para o fim e a aplicação a que se destina e de acordo com as instruções, orientações e avisos estabelecidos neste manual, assim como de acordo com todas as leis e regulamentos aplicáveis. Caso não leia nem siga as instruções e os avisos aqui estabelecidos, poderá sofrer ferimentos pessoais ou causar ferimentos a terceiros e o produto ou outros materiais nas proximidades poderão ficar danificados. Este manual do produto, incluindo as instruções, orientações e avisos, bem como a documentação relacionada, podem estar sujeitos a alterações e atualizações. Para consultar as informações atualizadas do produto, visite [documents.dometic.com](http://documents.dometic.com).

## Índice

1	Explicação dos símbolos . . . . .	44
2	Indicações de segurança . . . . .	45
3	Material fornecido . . . . .	46
4	Destinatários . . . . .	47
5	Utilização adequada . . . . .	47
6	Descrição técnica . . . . .	47
7	Instalação . . . . .	48
8	Operação . . . . .	49
9	Limpeza e manutenção . . . . .	50
10	Resolução de falhas . . . . .	50
11	Garantia . . . . .	50
12	Eliminação . . . . .	50
13	Dados técnicos . . . . .	51

## 1 Explicação dos símbolos



### PERIGO!

**Indicação de segurança:** Indica uma situação perigosa que, se não for evitada, resultará em morte ou ferimentos graves.



### AVISO!

**Indicação de segurança:** Indica uma situação perigosa que, se não for evitada, pode causar a morte ou ferimentos graves.



### PRECAUÇÃO!

**Indicação de segurança:** Indica uma situação perigosa que, se não for evitada, pode causar ferimentos ligeiros ou moderados.



### NOTA!

Indica uma situação que, se não for evitada, pode causar danos materiais.

## 2 Indicações de segurança

**Tenha em atenção as indicações de segurança e as estipulações especificadas pelo fabricante do veículo e pelas oficinas de reparação.**

**Preste atenção às normas legais em vigor.**



**PERIGO! O incumprimento destes avisos resultará em morte ou ferimentos graves.**

### Perigo de explosão

- A câmara não isenta o condutor do seu dever de ter atenção ao conduzir.
- O condutor é totalmente responsável pela condução do veículo, pelo cumprimento das obrigações de segurança rodoviária e pelo cumprimento dos requisitos legais de segurança rodoviária.



**AVISO! O incumprimento destes avisos poderá resultar em morte ou ferimentos graves.**

### Perigo de ferimentos

- Esta câmara pode ser utilizada por crianças a partir dos 8 anos e pessoas com capacidades físicas, sensoriais ou mentais reduzidas ou sem experiência e conhecimento, se forem supervisionadas ou receberem instruções sobre a utilização do aparelho de forma segura e compreenderem os perigos implicados.
- Fixe as peças montadas no veículo de forma a que não se soltem em circunstância alguma (travagem brusca, acidente de viação), o que poderia causar ferimentos aos ocupantes do veículo.
- Não monte as peças no veículo na área de atuação de um airbag. Tal pode causar ferimentos se o airbag for ativado.
- A ligação inadequada de cabos pode causar curtos-circuitos, provocando:
  - Queimadura de cabos
  - Ativação do airbag
  - Danos nos dispositivos de controlo eletrónicos
  - Avarias elétricas (indicador de mudança de direção, luz de travagem, buzina, ignição, luzes).



**PRECAUÇÃO! O incumprimento destas advertências poderá resultar em ferimentos ligeiros ou moderados.**

### Perigo de ferimentos

- Fixe as peças do sistema instaladas por baixo de revestimentos de modo a que não se soltem ou danifiquem outras peças ou cabos e não limitem as funções do veículo (direção, pedais, etc.).
- Preste sempre atenção às indicações de segurança do fabricante do veículo. Alguns trabalhos (p. ex., em sistemas de retenção como o airbag, etc.) apenas podem ser realizados por técnicos qualificados.



**NOTA!**

### Risco de danos

- Durante a perfuração, assegure-se de que existe espaço suficiente do outro lado para a saída da broca, de modo a evitar danos.
- Remova as rebargas de todos os furos perfurados e aplique nos furos um produto anti-corrosão.
- Ao trabalhar no sistema elétrico, as baterias têm de ser separadas da terra do veículo. Isto aplica-se às baterias principais e adicionais.
- Em trabalhos nos seguintes cabos, utilize apenas terminais de cabos isolados, fichas e mangas de encaixe planas:
  - 30 (entrada direta do polo positivo da bateria)
  - 15 (polo positivo ligado, por detrás da bateria)
  - 31 (cabo de retorno a partir da bateria, terra)
  - 58 (faróis de marcha-atrás)

**Não** utilize barras de junção de porcelana.

- Utilize um alicate de crimpar para ligar os cabos.

- Aparafuse o cabo ao conectar o cabo 31 (ligação à terra).
  - Utilizando um terminal de cabos e um freio de porca, aparafuse o cabo a um dos parafusos de ligação à terra do veículo ou
  - Aparafuse o cabo à chapa da carroçaria usando um terminal de cabos e um parafuso autorroscante.
- Garanta que existe uma boa ligação à terra.
- Se a bateria for desligada, todos os dados armazenados em todas as memórias voláteis serão perdidos. Os dados poderão ter de ser repostos. Neste caso, sigas as instruções do fabricante do veículo. Pode encontrar as instruções para proceder a estas definições no manual de instruções.
- Para verificar a tensão em cabos elétricos, utilize apenas uma lâmpada de verificação com díodos ou um voltímetro.
 

As lâmpadas de verificação com um corpo luminoso consomem demasiada tensão, pelo que o sistema elétrico do veículo pode ficar danificado.
- Ao efetuar as ligações elétricas, certifique-se que:
  - Não estão dobradas nem torcidas
  - Não roçam nas arestas
  - Não passem por aberturas com arestas afiadas sem proteção.
- Isole todas as conexões.
- Proteja os cabos contra esforços mecânicos, por exemplo relativamente a linhas existentes, p. ex., usando braçadeiras para cabos ou fita de isolamento.
- Siga o manual de montagem e operação para o monitor.
- Não abra a câmara.
- Não puxe os cabos.
- Não exponha os cabos a solventes como benzeno durante longos períodos de tempo.
- Não utilize as câmaras debaixo de água.
- Instale os cabos a uma distância suficiente das peças quentes ou em movimento do veículo (tubos de escape, eixos de transmissão, luzes, ventiladores, aquecedores, etc.).

### 3 Material fornecido

**CAM35-2.0 REAR:** fig. **1**, página 3

**CAM35-2.0 TWIN:** fig. **2**, página 4

N.º	Quantidade	Descrição	N.º art.
1	1	Câmara CAM35-2.0 REAR CAM35-2.0 TWIN	9620012436 9620012438
2	1	Vedação	–
3	1	Adaptador Y CAM	9600000552
4	1	Adaptador NAV	9620012441
5	1	Cabo do sistema de 15 m	9600001662
–	1	Cabo de ligação da luz de 1,5 m	–
–	2	Parafusos de fixação 6 x 25 mm	–

## 4 Destinatários



A ligação elétrica tem que ser efetuada por um electricista especializado que possua os conhecimentos e as competências necessários para a construção e operação de instalações e equipamentos elétricos e que tenha formação em segurança relativamente à identificação e prevenção dos perigos envolvidos.

## 5 Utilização adequada

A câmara foi pensada para utilização nos veículos Fiat Ducato, Citroën Jumper e Peugeot Boxer a partir do modelo do ano de 2006 com tejadilho simples. A consola da câmara é montada entre a carroçaria e a luz de travagem. Pode ser utilizada em sistemas de vídeo para observação da área na traseira do veículo a partir do lugar do condutor, por exemplo, ao fazer manobras ou ao estacionar.

Este produto destina-se exclusivamente à aplicação e aos fins pretendidos com base nestas instruções.

Este manual fornece informações necessárias para proceder a uma instalação e/ou a uma operação adequadas do produto. Uma instalação e/ou uma operação ou manutenção incorretas causarão um desempenho insatisfatório e uma possível avaria.

O fabricante não aceita qualquer responsabilidade por danos ou prejuízos no produto resultantes de:

- montagem ou ligação incorreta, incluindo sobretensões
- manutenção incorreta ou utilização de peças sobressalentes não originais fornecidas pelo fabricante
- alterações ao produto sem autorização expressa do fabricante
- utilização para outras finalidades que não as descritas no presente manual

A Dometic reserva-se o direito de alterar o design e as especificações do produto.

## 6 Descrição técnica

O módulo da câmara de marcha-atrás e o módulo da câmara de visão à distância (**apenas CAM35 2.0 TWIN**) estão instalados numa consola para a luz de travagem original. A imagem da câmara é transmitida por um cabo do sistema para um monitor. A câmara também é adequada para ligação ao sistema de navegação Uconnect, da Fiat.

A câmara consiste, entre outros, dos seguintes elementos:

N.º na fig. 3, página 5	Descrição
1	Módulo da câmara de marcha-atrás
2	Módulo da câmara de visão à distância ( <b>apenas CAM35-2.0 TWIN</b> )
3	Cabo de ligação de 6 pinos para o módulo da câmara de visão à distância ( <b>apenas CAM35-2.0 TWIN</b> )
4	Cabo de ligação de 6 pinos para o módulo da câmara de marcha-atrás
5	Cabo de ligação de núcleo duplo para a luz da câmara
6	Luz da câmara

A CAM35-2.0 está equipada com um adaptador que permite ligá-la a um monitor com uma ficha de 6 pinos e a um monitor com ficha RCA (entrada A/V).

**Apenas CAM35-2.0 TWIN:** O sistema eletrónico de comutação da câmara permite operar os dois módulos de câmara através de uma única entrada A/V.

## 7 Instalação

### 7.1 Desmontar a luz de travagem

1. Retire os parafusos da luz de travagem (fig. **4**, página 5).
2. Desconecte a luz de travagem do veículo (fig. **5**, página 6).

### 7.2 Passar os cabos

**NOTA! Risco de danos**

- Antes de fazer furos, verifique se existe espaço livre suficiente do outro lado da parede para a saída da broca.
- A passagem e a ligação de cabos não adequadas provocam sempre falhas de funcionamento ou danos nos componentes. Instale os cabos e fichas conforme especificado.
- Não exponha os cabos a solventes como benzina durante um longo período de tempo.

**OBSERVAÇÃO**

Passes os cabos de tal forma que seja fácil aceder à ficha entre a câmara e o cabo de extensão.

Observe as seguintes instruções:

- Para passar os cabos, utilize condutas de cabos originais ou outras opções adequadas, tais como bordas de painéis, grelhas de ventilação ou bujões cegos. Se não estiverem disponíveis nenhuma aberturas, faça furos para os cabos.
  - Passe os cabos no interior do veículo. Caso precise de passar um cabo pelo exterior do veículo, assegure-se de que o cabo fica bem preso (utilize braçadeiras de cabos adicionais, fita de isolamento, etc.).
  - Assegure-se de que os cabos estão sempre a uma distância suficiente de peças do veículo quentes ou em movimento (tubos de escape, eixos de transmissão, sistemas de iluminação, ventiladores, aquecimento, etc.). Para proteção mecânica, utilize tubos ondulados ou materiais de proteção semelhantes.
  - Assegure-se de que os cabos não estão dobrados ou torcidos.
  - Assegure-se de que os cabos não raspam em arestas.
  - Assegure-se de que os cabos não passam através de condutas com arestas afiadas sem proteção.
  - Fixe os cabos no veículo de modo seguro para evitar perigos de queda. Use braçadeiras para cabos, fita de isolamento ou cole os cabos no devido lugar com adesivos.
- Passe os cabos do sistema.

### 7.3 Efetuar a ligação da câmara

**OBSERVAÇÃO**

Aplique uma pequena quantidade de lubrificante, como lubrificante para pinos, nas fichas para prevenir corrosão na ficha.

1. Passe a ficha da luz de travagem através da consola.
2. Insira a ficha da luz de travagem novamente na luz de travagem (fig. **6**, página 6).
3. Ligue a câmara conforme ilustrado (fig. **7**, página 7).



**OBSERVAÇÃO**

Ligue o cabo de ligação de núcleo duplo (fig. 3 5, página 5) a um terminal de alimentação de 12 V que fornece energia **apenas** quando o veículo está estacionado. A lei proíbe que a luz da câmara se acenda durante a condução. A ligação exata ao veículo depende do veículo. Siga as instruções do fabricante do veículo.

Legenda:

N.º na fig. 7, página 7	Descrição
1	Cabo de ligação de 6 pinos para o módulo da câmara de marcha-atrás
2	Adaptador Y CAM
3	Monitor
4	Cabo de ligação da marcha-atrás
5	Ficha de 6 pinos para o monitor
6	Ficha RCA para o monitor
7	Cabo do sistema
8	Cabo de ligação de 6 pinos para o módulo da câmara de visão à distância ( <b>apenas</b> CAM35-2.0 TWIN)
9	Câmara CAM35-2.0 REAR ou CAM35-2.0 TWIN
10	Cabo de ligação da luz
bk	Ligação preta à terra
rd	Ligação vermelha de 12 V

## 7.4 Proteger as fichas

- ▶ Vede as fichas ligadas com fita adesiva repelente de água para as proteger contra a entrada de água (fig. 8, página 8).

## 7.5 Montar a câmara (fig. 9, página 8)

**OBSERVAÇÃO**

Passa os cabos da câmara no lado inferior da consola até aos entalhes de tal forma que os cabos não fiquem esmagados.

1. Posicione a luz de travagem na abertura da câmara.
2. Fixe a câmara com dois parafusos de fixação 6 x 25 mm.

## 8 Operação

Depois de efetuar a ligação, a câmara pode ser utilizada através do monitor.

Siga as instruções do fabricante do monitor.

## 9 Limpeza e manutenção



### NOTA! Risco de danos

Não utilize objetos afiados ou duros, produtos de limpeza abrasivos ou lixívia para limpar.

- ▶ Limpe o aparelho ocasionalmente com um pano macio e húmido.
- ▶ Verifique regularmente os cabos ou fios sob tensão quanto a danos no isolamento, ruturas ou conexões soltas.

## 10 Resolução de falhas

Falha	Possível causa	Resolução
A câmara não funciona.	A ligação da câmara está mal efetuada.	▶ Efetue novamente a ligação da câmara (ver capítulo "Efetuar a ligação da câmara" na página 48).
	Um cabo de ligação está com defeito.	▶ Contacte um agente de assistência técnica autorizado.
	A câmara está danificada.	▶ Contacte um agente de assistência técnica autorizado.
A imagem proveniente da câmara está desfocada ou escura.	A câmara está suja.	▶ Limpe a câmara (ver capítulo "Limpeza e manutenção" na página 50).

## 11 Garantia

Aplica-se o prazo de garantia legal. Se o produto apresentar defeitos, contacte o seu revendedor ou a filial do fabricante no seu país (ver [dometic.com/dealer](http://dometic.com/dealer)).

Para fins de reparação e do processamento da garantia, envie também os seguintes documentos quando devolver o produto:

- Uma cópia da fatura com a data de aquisição
- Um motivo de reclamação ou uma descrição da falha

Tenha em atenção que as reparações feitas por si ou por não profissionais podem ter consequências sobre a segurança e anular a garantia.

## 12 Eliminação

### Reciclagem do material de embalagem



- ▶ Sempre que possível, coloque o material de embalagem no respetivo contentor de reciclagem.

**Reciclagem de produtos com pilhas, baterias recarregáveis e fontes de luz**

- Remova todas as pilhas, baterias recarregáveis e fontes de luz antes de reciclar o produto.
- Entregue os seus acumuladores danificados ou pilhas gastas numa loja ou centro de recolha.
- As pilhas, baterias recarregáveis e fontes de luz não devem ser eliminadas juntamente com o lixo doméstico.
- Para eliminar definitivamente o produto, informe-se junto do centro de reciclagem ou revendedor mais próximo sobre as disposições de eliminação aplicáveis.
- O produto pode ser eliminado gratuitamente.

**13 Dados técnicos**

	CAM35-2.0 REAR	CAM35-2.0 TWIN	
		REAR	FAR
Sensor de imagem	CMOS de 1/2,9 polegadas		
Pixels AHD CVBS	1280 (H) X720 (V) 960 (H) X576 (V)		
Padrão de vídeo (AHD e CVBS)	PAL		
Sensibilidade	< 1 lux		
Ângulo de visão AHD CVBS	H: 122 ± 3° V: 94 ± 3° H: 118 ± 3° V: 90 ± 3°		H: 80 ± 3° V: 50 ± 3° H: 80 ± 3° V: 44 ± 3°
Tensão de funcionamento Câmara LED	6 – 16 V 9 – 16 V		
Consumo AHD CVBS LED	< 1,68 W < 1,8 W < 3,24 W	< 2,52 W < 2,64 W < 3,24 W	
Temperatura de funcionamento	-40 °C a 85 °C		
Classe de proteção	IP69k		
Resistência à vibração	ISO 16750-3:2023 4.1.9.2 (IEC 60068-2-64)		
Dimensões (L x A x P)	379,9 x 83,66 x máx 51,7 mm		
Peso	230 g	250 g	
Marcas de ensaio e certificação			

Si prega di leggere attentamente e di seguire tutte le istruzioni, le linee guida e le avvertenze incluse in questo manuale del prodotto, al fine di garantire che il prodotto venga sempre installato, utilizzato e mantenuto nel modo corretto. Queste istruzioni DEVONO essere conservate insieme al prodotto.

Utilizzando il prodotto, l'utente conferma di aver letto attentamente tutte le istruzioni, le linee guida e le avvertenze e di aver compreso e accettato di rispettare i termini e le condizioni qui espressamente indicati. L'utente accetta di utilizzare questo prodotto solo per lo scopo e l'applicazione previsti e in conformità con le istruzioni, le linee guida e le avvertenze indicate nel presente manuale del prodotto, nonché in conformità con tutte le leggi e i regolamenti applicabili. La mancata lettura e osservanza delle istruzioni e delle avvertenze qui espressamente indicate può causare lesioni personali e a terzi, danni al prodotto o ad altre proprietà nelle vicinanze. Il presente manuale del prodotto, comprese le istruzioni, le linee guida e le avvertenze e la relativa documentazione possono essere soggetti a modifiche e aggiornamenti. Per informazioni aggiornate sul prodotto, si prega di visitare il sito [documents.dometic.com](http://documents.dometic.com).

## Indice

1	Spiegazione dei simboli	52
2	Istruzioni per la sicurezza	53
3	Dotazione	55
4	Destinatari	55
5	Destinazione d'uso	55
6	Descrizione delle caratteristiche tecniche	56
7	Installazione	56
8	Funzionamento	58
9	Pulizia e cura	58
10	Risoluzione dei problemi	58
11	Garanzia	58
12	Smaltimento	59
13	Specifiche tecniche	60

## 1 Spiegazione dei simboli



### PERICOLO!

**Istruzione per la sicurezza:** indica una situazione di pericolo che, se non evitata, provoca lesioni gravi o mortali.



### AVVERTENZA!

**Istruzione per la sicurezza:** indica una situazione di pericolo che, se non evitata, potrebbe provocare lesioni gravi o mortali.



### ATTENZIONE!

**Istruzione per la sicurezza:** indica una situazione di pericolo che, se non evitata, potrebbe provocare lesioni di entità lieve o moderata.



### AVVISO!

Indica una situazione di pericolo che, se non evitata, può provocare danni alle cose.

## 2 Istruzioni per la sicurezza

**Osservare le istruzioni per la sicurezza e le condizioni previste dal fabbricante del veicolo e dalle officine autorizzate.**

**Attenersi alle prescrizioni di legge vigenti.**



**PERICOLO! La mancata osservanza di queste avvertenze può causare la morte o lesioni gravi.**

### Pericolo di esplosione

- La telecamera non esonera il conducente dall'obbligo di prestare attenzione durante la guida.
- Il conducente è pienamente responsabile per la guida del veicolo, il rispetto degli obblighi in materia di sicurezza stradale e l'osservanza dei requisiti di sicurezza stradale previsti dalla legge.



**AVVERTENZA! La mancata osservanza di queste avvertenze potrebbe causare la morte o lesioni gravi.**

### Rischio di lesioni

- Questa telecamera può essere utilizzata da bambini di età superiore a 8 anni, da persone con ridotte capacità fisiche, sensoriali o mentali o da persone inesperte o prive di conoscenze specifiche in materia, purché sotto supervisione e abbiano ricevuto istruzioni sull'impiego sicuro dell'apparecchio e comprendano i pericoli legati all'apparecchio.
- Fissare i componenti montati nel veicolo in modo che non possano staccarsi nemmeno in caso di frenate brusche o incidenti e causare il ferimento dei passeggeri.
- Non montare i componenti nel veicolo in punti in cui si può verificare l'apertura di un airbag. Altrimenti sussiste pericolo di ferimento se l'airbag si attiva.
- In caso di cortocircuito, collegamenti inadeguati alla rete di alimentazione possono causare:
  - bruciature di cavi
  - attivazione dell'airbag
  - danneggiamenti dei dispositivi elettronici di controllo
  - Guasti elettrici (indicatori di direzione, luci di arresto, avvisatore acustico, accensione, luci).



**ATTENZIONE! La mancata osservanza di queste precauzioni potrebbe causare lesioni lievi o moderate.**

### Rischio di lesioni

- Fissare i componenti del sistema non a vista da applicare sotto il rivestimento in modo tale che non possano staccarsi o danneggiare altri componenti e cavi e compromettere le funzioni del veicolo (sterzo, pedali ecc.).
- Osservare sempre le istruzioni per la sicurezza del produttore del veicolo. Alcuni lavori (ad es. ai sistemi di ritenuta, quali airbag ecc.) devono essere eseguiti esclusivamente da personale qualificato.



### AVVISO!

#### Rischio di danni

- Per prevenire eventuali danni durante la trapanatura, assicurarsi che sull'altro lato vi sia spazio sufficiente per permettere alla punta del trapano di fuoriuscire.
- Sbavare ogni foro e trattarlo con antiruggine.
- Durante gli interventi sull'impianto elettrico, le batterie devono essere separate dalla massa del veicolo. Questo vale sia per la batteria principale che per le batterie supplementari.

- Durante i lavori sui seguenti cavi, impiegare esclusivamente spine, spine femmina piatte e capi-corda isolati:
  - 30 (ingresso diretto del polo della batteria)
  - 15 (polo positivo inserito, dietro batteria)
  - 31 (cavo di ritorno dalla batteria, a massa)
  - 58 (proiettore di retromarcia)
- **Non** utilizzare morsetti in porcellana.
- Per collegare i cavi impiegare una pinza crimpatrice.
- Avvitare il cavo 31 (a massa) per effettuare il collegamento.
  - Con l'ausilio di un capocorda e una rondella di sicurezza, avvitare il cavo a uno dei bulloni di massa del veicolo, oppure
  - avvitare il cavo alla lamiera della carrozzeria con l'impiego di un capocorda e una vite autofiletante.
- Accertarsi che ci sia un buon collegamento di massa.
- Quando si stacca la batteria, tutti i dati memorizzati in tutte le memorie volatili andranno persi. Potrebbe essere necessario resettare i dati. In questo caso, seguire le istruzioni del produttore del veicolo. Le istruzioni per eseguire queste impostazioni sono disponibili nelle istruzioni per l'uso.
- Quando si effettua il controllo della tensione nei cavi elettrici utilizzare unicamente un indicatore a diodo o un voltmetro.  
Gli indicatori con lampadina assorbono tensioni eccessive e possono danneggiare il sistema elettronico del veicolo.
- Quando si effettuano i collegamenti elettrici, verificare che:
  - non vengano attorcigliati o piegati
  - non sfreghino contro spigoli
  - non vengano posati in canaline con spigoli vivi e senza protezione.
- Isolare tutti i collegamenti.
- Per proteggere i cavi da sollecitazioni meccaniche, fissarli con fascette serracavi o nastro isolante, ad esempio a linee esistenti.
- Seguire le istruzioni di montaggio e d'uso del monitor.
- Non aprire la telecamera.
- Non tirare i cavi.
- Non esporre i cavi all'azione di solventi, come il benzene, per lunghi periodi di tempo.
- Non utilizzare le telecamere sotto l'acqua.
- Installare i cavi a una distanza sufficiente dalle parti calde o in movimento del veicolo (tubi di scarico, tubi di scarico degli alberi di trasmissione, alberi di trasmissione, luci, ventilatori, radiatori, ecc.).

### 3 Dotazione

**CAM35-2.0 REAR:** fig. **1**, pagina 3

**CAM35-2.0 TWIN:** fig. **2**, pagina 4

Pos.	Quantità	Descrizione	N. art.
1	1	Telecamera CAM35-2.0 REAR CAM35-2.0 TWIN	9620012436 9620012438
2	1	Guarnizione	-
3	1	Adattatore Y CAM	9600000552
4	1	Adattatore NAV	9620012441
5	1	Cavo di sistema da 15 m	9600001662
-	1	Cavo di collegamento luce da 1,5 m	-
-	2	viti di fissaggio 6 x 25 mm	-

### 4 Destinatari



L'alimentazione elettrica deve essere eseguita da un elettricista qualificato che abbia dimostrato competenze e conoscenze relative alla costruzione e al funzionamento delle apparecchiature elettriche e alle installazioni, e che conosca le normative vigenti nel Paese in cui l'apparecchiatura deve essere installata e/o utilizzata e abbia ricevuto una formazione sulla sicurezza per identificare ed evitare i pericoli coinvolti.

### 5 Destinazione d'uso

La telecamera è concepita per l'impiego nei veicoli Fiat Ducato, Citroën Jumper, Peugeot Boxer a partire dall'anno modello 2006 con tetto semplice. La console della telecamera viene montata fra la carrozzeria e la luce di arresto. Può essere applicata in videosistemi che servono a controllare l'area dietro il veicolo dal sedile di guida, ad es. in fase di manovra o di parcheggio.

Questo prodotto è adatto solo per l'uso e l'applicazione previsti in conformità con le presenti istruzioni.

Il presente manuale fornisce le informazioni necessarie per la corretta installazione e/o il funzionamento del prodotto. Un'installazione errata e/o un utilizzo o una manutenzione impropri porteranno prestazioni insoddisfacenti e un possibile guasto.

Il produttore non si assume alcuna responsabilità per eventuali lesioni o danni al prodotto che derivino da:

- montaggio o collegamento non corretti, compresa la sovratensione
- manutenzione non corretta o uso di ricambi diversi da quelli originali forniti dal produttore
- modifiche al prodotto senza esplicita autorizzazione del produttore
- impiego per scopi diversi da quelli descritti nel presente manuale.

Dometic si riserva il diritto di modificare l'aspetto e le specifiche del prodotto.

## 6 Descrizione delle caratteristiche tecniche

Il modulo telecamera per la retromarcia e il modulo telecamera panoramica (**solo** CAM35 2.0 TWIN) sono alloggiati in una console per la luce di arresto originale. L'immagine della telecamera viene trasmessa a un monitor attraverso un cavo del sistema. La telecamera è adatta anche per il collegamento al sistema di navigazione Fiat Uconnect.

La telecamera è costituita dai seguenti elementi:

N. nella fig. <b>3</b> , pagina 5	Descrizione
1	Modulo telecamera di retromarcia
2	Modulo telecamera panoramica ( <b>solo</b> CAM35-2.0 TWIN)
3	Cavo di collegamento a 6 poli per il modulo telecamera panoramica ( <b>solo</b> CAM35-2.0 TWIN)
4	Cavo di collegamento a 6 poli per il modulo telecamera di retromarcia
5	Cavo di collegamento a 2 conduttori per la luce della telecamera
6	Luce della telecamera

Il modello CAM35-2.0 è dotato di un adattatore che consente il collegamento a un monitor con un connettore a 6 poli e a un monitor con un connettore RCA (ingresso A/V).

**Solo CAM35-2.0 TWIN:** l'elettronica di commutazione della telecamera consente di comandare entrambi i moduli telecamera tramite un unico ingresso A/V.

## 7 Installazione

### 7.1 Smontaggio della luce di arresto

1. Rimuovere le viti della luce di arresto (fig. **4**, pagina 5).
2. Scollegare la luce di arresto dal veicolo (fig. **5**, pagina 6).

### 7.2 Posa dei cavi



#### AVVISO! Rischio di danni

- Prima di praticare fori, assicurarsi che ci sia spazio sufficiente sull'altro lato della parete per l'uscita della punta del trapano.
- Pose e collegamenti dei cavi non eseguiti a regola d'arte, portano a continui malfunzionamenti o danni degli elementi costruttivi. Installare i cavi e i connettori come specificato.
- Non esporre i cavi a solventi come benzene per un lungo periodo di tempo.



#### NOTA

Posare i cavi in modo che il connettore tra la telecamera e la prolunga sia facilmente raggiungibile.

Osservare le seguenti istruzioni:

- Per la posa dei cavi impiegare canaline originali o altre soluzioni adatte, ad es. spigoli di rivestimento, griglie di ventilazione o tappi ciechi. Se non vi sono aperture disponibili, realizzare i fori per i cavi.
- Posare i cavi all'interno del veicolo. Se è necessario posare un cavo all'esterno del veicolo, assicurarsi che sia ben fissato (utilizzare fascette serracavi aggiuntive, nastro isolante ecc.).



- Assicurarsi che i cavi siano abbastanza lontani da componenti caldi o parti in movimento del veicolo (tubi di scarico, alberi di trasmissione, sistemi di illuminazione, ventole, riscaldatori ecc.). Per proteggere le parti meccaniche utilizzare un tubo ondulato o materiali di protezione simili.
  - Assicurarsi che i cavi non siano piegati o attorcigliati.
  - Assicurarsi che i cavi non siano sfreggino sui bordi.
  - Assicurarsi che i cavi non siano posati in condotti con bordi taglienti senza protezione.
  - Fissare saldamente i cavi nel veicolo in modo da non potervi inciampare. Utilizzare fascette serracavi, nastro isolante o incollare i cavi in posizione.
- Posare i cavi di sistema.

### 7.3 Collegamento della telecamera



#### NOTA

Applicare sui poli una piccola quantità di grasso (ad es. grasso per poli) per prevenire che si corrodano.

1. Far passare la spina della luce di arresto attraverso la console.
2. Inserire di nuovo la spina nella luce di arresto (fig. 6, pagina 6).
3. Collegare la telecamera come mostrato (fig. 7, pagina 7).



#### NOTA

Collegare il cavo di collegamento a 2 conduttori (fig. 3 5, pagina 5) a un terminale di alimentazione a 12 V che fornisce alimentazione **solo** quando il veicolo è parcheggiato. Per legge, la luce della telecamera non può accendersi durante la guida. Il collegamento esatto al veicolo dipende dal veicolo. Seguire le istruzioni del fabbricante del veicolo.

Legenda:

N. nella fig. 7, pagina 7	Descrizione
1	Cavo di collegamento a 6 poli per il modulo telecamera di retromarcia
2	Adattatore Y CAM
3	Monitor
4	Cavo di collegamento retromarcia
5	Spina a 6 poli per il monitor
6	Spina RCA per il monitor
7	Cavo di sistema
8	Cavo di collegamento a 6 poli per il modulo telecamera panoramica ( <b>solo</b> CAM35-2.0 TWIN)
9	Telecamera CAM35-2.0 REARE o CAM35-2.0 TWIN
10	Cavo di collegamento luce
bk	Collegamento a massa nero
rd	Collegamento 12 V <sup>==</sup> rosso

## 7.4 Protezione delle spine

- Sigillare le spine collegate con nastro adesivo idrorepellente per proteggerle dall'ingresso di acqua (fig. 8, pagina 8).

## 7.5 Montaggio della telecamera (fig. 9, pagina 8)



### NOTA

Far passare i cavi della telecamera nella parte inferiore della console fino alle tacche in modo che i cavi non siano schiacciati.

1. Posizionare la luce di arresto nell'apertura della telecamera.
2. Fissare la telecamera con due viti di fissaggio da 6 x 25 mm.

## 8 Funzionamento

La telecamera può essere utilizzata tramite il monitor dopo il collegamento.

Seguire le istruzioni del fabbricante del monitor.

## 9 Pulizia e cura



### AVVISO! Rischio di danni

Per la pulizia non utilizzare oggetti duri o appuntiti, detergenti abrasivi o candeggina.

- Pulire il dispositivo di tanto in tanto con un panno umido morbido.
- Controllare regolarmente che i cavi o i fili sotto tensione non presentino difetti di isolamento, rotture o collegamenti allentati.

## 10 Risoluzione dei problemi

Guasto	Possibile causa	Soluzione
La telecamera non funziona.	La telecamera non è collegata correttamente.	► Ricollegare la telecamera (vedi capitolo "Collegamento della telecamera" a pagina 57).
	Un cavo di collegamento è difettoso.	► Contattare il servizio di assistenza autorizzato.
	La telecamera è guasta.	► Contattare il servizio di assistenza autorizzato.
L'immagine generata dalla telecamera è sfocata o scura.	La telecamera non è pulita.	► Pulire la telecamera (vedi capitolo "Pulizia e cura" a pagina 58).

## 11 Garanzia

Vale il termine di garanzia previsto dalla legge. Se il prodotto è difettoso, contattare il rivenditore di fiducia o la filiale del fabbricante nel proprio Paese (vedi [dometic.com/dealer](http://dometic.com/dealer)).

Per la gestione della riparazione e della garanzia è necessario inviare la seguente documentazione insieme al prodotto:

- una copia della ricevuta con la data di acquisto,
- il motivo della richiesta o la descrizione del guasto.

Tenere presente che le riparazioni eseguite in autonomia o da personale non professionista possono avere conseguenze sulla sicurezza e invalidare la garanzia.

## 12 Smaltimento

### Riciclaggio del materiale da imballaggio




- Smaltire il materiale di imballaggio possibilmente negli appositi contenitori di riciclaggio.

### Riciclaggio di prodotti con batterie, batterie ricaricabili e fonti di luce



- Rimuovere tutte le batterie, le batterie ricaricabili e le fonti di luce prima di riciclare il prodotto.
- Consegnare gli accumulatori difettosi o le batterie usate al rivenditore o presso un centro di raccolta.
- Non smaltire le batterie, le batterie ricaricabili e le fonti di luce insieme ai rifiuti domestici generici.
- Per smaltire definitivamente il prodotto, informarsi presso il centro di riciclaggio più vicino o presso il proprio rivenditore specializzato sulle norme relative allo smaltimento.
- È possibile smaltire il prodotto gratuitamente.

## 13 Specifiche tecniche

	CAM35-2.0 REAR	CAM35-2.0 TWIN	
		REAR	FAR
Sensore di immagine	CMOS da 1/2,9"		
Pixel AHD CVBS	1280 (O) X720 (V) 960 (O) X576 (V)		
Standard video (AHD e CVBS)	PAL		
Sensibilità	< 1 lux		
Angolo del cono di luce AHD CVBS	H: 122 ± 3° V: 94 ± 3° H: 118 ± 3° V: 90 ± 3°		H: 80 ± 3° V: 50 ± 3° H: 80 ± 3° V: 44 ± 3°
Tensione di esercizio Telecamera LED	6 – 16 V 9 – 16 V		
Consumo AHD CVBS LED	< 1,68 W < 1,8 W < 3,24 W	< 2,52 W < 2,64 W < 3,24 W	
Temperatura di esercizio	-40 °C – 85 °C		
Classe di protezione	IP69k		
Resistenza alle vibrazioni	ISO 16750-3:2023 4.1.9.2 (IEC 60068-2-64)		
Dimensioni (L x A x P)	379,9 x 83,66 x 51,7 mm		
Peso	230 g	250 g	
Marchi di collaudo e certificazione			

Lees deze gebruiksaanwijzing zorgvuldig door en volg alle instructies, richtlijnen en waarschuwingen in deze handleiding op om ervoor te zorgen dat u het product te allen tijde op de juiste manier installeert, gebruikt en onderhoudt. Deze gebruiksaanwijzing MOET bij dit product bewaard worden.

Door het product te gebruiken, bevestigt u hierbij dat u alle instructies, richtlijnen en waarschuwingen zorgvuldig hebt gelezen en dat u de voorwaarden zoals hierin beschreven begrijpt en accepteert. U gaat ermee akkoord dit product alleen te gebruiken voor het beoogde doel en de beoogde toepassing en in overeenstemming met de instructies, richtlijnen en waarschuwingen zoals beschreven in deze gebruiksaanwijzing en in overeenstemming met de geldende wet- en regelgeving. Het niet lezen en opvolgen van de hierin beschreven instructies en waarschuwingen kan leiden tot letsel voor uzelf en anderen, schade aan uw product of schade aan andere eigendommen in de omgeving. Deze gebruiksaanwijzing, met inbegrip van de instructies, richtlijnen en waarschuwingen, en de bijbehorende documentatie kan onderhevig zijn aan wijzigingen en updates. Actuele productinformatie vindt u op [documents.dometic.com](http://documents.dometic.com).

## Inhoud

1	Verklaring van de symbolen	61
2	Veiligheidsaanwijzingen	62
3	Omvang van de levering	64
4	Doelgroepen	64
5	Beoogd gebruik	64
6	Technische beschrijving	65
7	Installatie	65
8	Gebruk	67
9	Reiniging en onderhoud	67
10	Problemen oplossen	67
11	Garantie	67
12	Verwijdering	68
13	Technische gegevens	69

## 1 Verklaring van de symbolen



### GEVAAR!

**Veiligheidsaanwijzing:** duidt op een gevaarlijke situatie die, indien deze niet wordt voorkomen, leidt tot ernstig letsel of de dood.



### WAARSCHUWING!

**Veiligheidsaanwijzing:** duidt op een gevaarlijke situatie die, indien deze niet wordt voorkomen, kan leiden tot ernstig letsel of de dood.



### VOORZICHTIG!

**Veiligheidsaanwijzing:** duidt op een gevaarlijke situatie die, indien deze niet wordt voorkomen, kan leiden tot licht of matig letsel.



### LET OP!

Duidt op een situatie die, indien deze niet wordt voorkomen, kan leiden tot materiële schade.

## 2 Veiligheidsaanwijzingen

**Neem de veiligheidsaanwijzingen en de voorschriften van de voertuigfabrikant en de servicewerkplaatsen in acht.**

**Neem de geldende wettelijke voorschriften in acht.**



**GEVAAR! Het niet in acht nemen van deze waarschuwingen leidt tot ernstig letsel of de dood.**

### Explosiegevaar

- De camera ontslaat de bestuurder niet van de zorgverplichting tijdens het rijden.
- De bestuurder blijft volledig verantwoordelijk voor het besturen van het voertuig, het nakomen van zijn verplichtingen met betrekking tot verkeersveiligheid en voor het opvolgen van de wettelijke voorschriften inzake verkeersveiligheid.



**WAARSCHUWING! Het niet in acht nemen van deze waarschuwingen kan leiden tot ernstig letsel of de dood.**

### Gevaar voor letsel

- Deze camera mag worden gebruikt door kinderen vanaf 8 jaar en ouder evenals door personen met verminderd fysiek, zintuiglijk of mentaal vermogen of gebrek aan kennis en ervaring, mits zij onder toezicht staan of zijn geïnstrueerd in het veilig gebruik van het toestel en de gevaren ervan begrijpen.
- Bevestig de in het voertuig gemonteerde onderdelen zodanig dat ze in geen geval (hard remmen, verkeersongeval) los kunnen raken en tot verwondingen bij de inzittenden van het voertuig kunnen leiden.
- Monteer de in het voertuig gemonteerde onderdelen niet in de buurt van een airbag. Anders bestaat er gevaar voor letsel als de airbag opengaat.
- Ongeschikte kabelverbindingen kunnen leiden tot kortsluiting met als gevolg:
  - kabelbranden
  - de airbag wordt geactiveerd
  - schade aan elektronische besturingsinrichtingen
  - elektrische storingen (richtingaanwijzer, remlicht, claxon, contact, lichten).



**VOORZICHTIG! Het niet in acht nemen van deze waarschuwingen kan leiden tot licht of matig letsel.**

### Gevaar voor letsel

- Bevestig onderdelen die afgedekt onder bekledingen moeten worden aangebracht zodanig, dat ze niet losraken of andere onderdelen en leidingen beschadigen en geen functies van het voertuig (besturing, pedalen etc.) kunnen beperken.
- Neem altijd de veiligheidsinstructies van de fabrikant van het voertuig in acht. Sommige werkzaamheden (bijv. aan beveiligingssystemen zoals de airbag enz.) mogen uitsluitend worden uitgevoerd door gekwalificeerd personeel.



### LET OP!

#### Gevaar voor schade

- Let er bij het boren op dat er achter het te doorboren oppervlak genoeg ruimte is voor de boor, om schade te voorkomen.
- Ontbraam elk boorgat en behandel de boorgaten met antiroestmiddel.
- Tijdens werkzaamheden aan het elektrische systeem moet de accu's worden gescheiden van de voertuigmassa. Dit geldt voor de hoofd- en de hulpaccu's.

- Gebruik bij het werken aan de volgende kabels alleen geïsoleerde kabelschoenen, stekkers en lip-hulzen:
  - 30 (directe ingang van accupluspool)
  - 15 (geschakelde plus, achter accu)
  - 31 (retourleiding vanaf accu, massa)
  - 58 (achteruitrijlicht)Gebruik **geen** porseleinen kabelverbindingen.
- Gebruik een krimptang voor het verbinden van de kabels.
- Schroef de kabel bij het aansluiten van kabel 31 (massa).
  - Schroef de kabel vast met behulp van een kabelschoen en een borgring op een van de massabouten van het voertuig of
  - Schroef de kabel op het metalen plaatlichaam met een kabelschoen en een zelftappende schroef.Zorg voor een goede massaverbinding.
- Wanneer de accu is losgekoppeld, gaan alle gegevens in het vluchtige geheugen verloren. Gegevens moeten dan worden gereset. Volg in dit geval de instructies van de voertuigfabrikant. De instructies voor deze instellingen kunt u terugvinden in de gebruikershandleiding.
- Gebruik voor het controleren van de spanning in elektrische kabels alleen een diodetestlamp of een voltmeter.  
Testlampen met een lampbehuizing gebruiken te veel stroom, wat de elektronica in het voertuig kan beschadigen.
- Let bij het maken van elektrische verbindingen op het volgende:
  - ze zijn niet geknikt of verdraaid
  - ze schuren niet langs randen
  - ze zijn niet zonder bescherming door openingen met scherpe kanten gelegd.
- Isoleer alle verbindingen en aansluitingen.
- Bescherm de kabels tegen mechanische spanning met behulp van kabelbinders of isolatietape, bijvoorbeeld door ze aan al bestaande kabels te bevestigen.
- Volg de installatie- en gebruikshandleiding voor de monitor op.
- Open de camera niet.
- Trek niet aan de kabels.
- Stel de kabels niet bloot aan oplosmiddelen zoals benzeen gedurende lange periodes.
- Gebruik de camera's niet onder water.
- Plaats de kabels ver genoeg uit de buurt van warme en bewegende voertuigonderdelen (uitlaatpijpen, aandrijfassen voor uitlaatpijpen, aandrijfassen, blazers en verwarmingstoestellen, enz.).

### 3 Omvang van de levering

**CAM35-2.0 REAR:** afb. **1**, pagina 3

**CAM35-2.0 TWIN:** afb. **2**, pagina 4

Nr.	Aantal	Beschrijving	Artikelnr.
1	1	Camera CAM35-2.0 REAR CAM35-2.0 TWIN	9620012436 9620012438
2	1	Afdichting	-
3	1	Y-adapter CAM	9600000552
4	1	Adapter NAV	9620012441
5	1	Systeemkabel 15 m	9600001662
-	1	Verlichtingskabel 1,5 m	-
-	2	Bevestigingsschroeven 6 x 25 mm	-

### 4 Doelgroepen



De elektrische aansluiting moet worden uitgevoerd door een bevoegde elektricien met aantoonbare kennis en vaardigheden met betrekking tot de constructie en werking van elektrische apparatuur en installaties en die vertrouwd is met de toepasselijke regelgeving van het land waarin de apparatuur moet worden geïnstalleerd en/of gebruikt en die een veiligheidstraining heeft gevolgd om de gevaren te identificeren en te vermijden.

### 5 Beoogd gebruik

De camera is bedoeld voor gebruik in de voertuigen Fiat Ducato, Citroën Jumper, Peugeot Boxer vanaf modeljaar 2006 met enkel dak. De cameraconsole wordt tussen carrosserie en remlicht gemonteerd. Hij kan worden gebruikt in videosystemen om het gebied achter het voertuig vanaf de bestuurdersstoel te kunnen zien.

Dit product is alleen geschikt voor het beoogde gebruik en de toepassing in overeenstemming met deze gebruiksaanwijzing.

Deze handleiding geeft informatie die nodig is voor een correcte installatie en/of correct gebruik van het product. Een slechte installatie en/of onjuist gebruik of onderhoud leidt tot onbevredigende prestaties en mogelijke storingen.

De fabrikant aanvaardt geen aansprakelijkheid voor letsel of schade aan het product die het gevolg is van:

- Onjuiste montage of aansluiting, inclusief te hoge spanning
- Onjuist onderhoud of gebruik van andere dan door de fabrikant geleverde originele reserveonderdelen
- Wijzigingen aan het product zonder uitdrukkelijke toestemming van de fabrikant
- Gebruik voor andere doeleinden dan beschreven in deze handleiding

Dometic behoudt zich het recht voor om het uiterlijk en de specificaties van het product te wijzigen.



## 6 Technische beschrijving

De achteruitrijcameramodule en de langeafstandscameramodule (**alleen** CAM35 2.0 TWIN) zijn ondergebracht in een console voor het oorspronkelijke remlicht. Het camerabeeld wordt via een systeemkabel doorgegeven aan een monitor. De camera is ook geschikt voor aansluiting op het Fiat-navigatiesysteem Uconnect.

De camera bestaat uit de volgende elementen:

Nr. in afb. <b>3</b> , pagina 5	Beschrijving
1	Achteruitrijcameramodule
2	Langeafstandscameramodule ( <b>alleen</b> CAM35-2.0 TWIN)
3	6-polige aansluitkabel voor langeafstandscameramodule ( <b>alleen</b> CAM35-2.0 TWIN)
4	6-polige aansluitkabel voor de achteruitrijcameramodule
5	2-aderige aansluitkabel voor de cameralamp
6	Cameralamp

De CAM35-2.0 is uitgerust met een adapter voor aansluiting op een monitor met een 6-polige connector en op een monitor met een RCA-connector (A/V-ingang).

**Alleen CAM35-2.0 TWIN:** Met de schakelelektronica voor de camera kunnen beide cameramodules via slechts één A/V-ingang worden bediend.

## 7 Installatie

### 7.1 Remlicht demonteren

1. Verwijder de schroeven van het remlicht (afb. **4**, pagina 5).
2. Koppel het remlicht los van het voertuig (afb. **5**, pagina 6).

### 7.2 Kabels aanleggen



#### LET OP! Gevaar voor schade

- Controleer voor het boren van gaten altijd of er voldoende ruimte is voor de boor aan de achterkant van de wand.
- Het niet-vakkundig aanleggen of verbinden van kabels leidt steeds weer tot storingen of beschadigingen van onderdelen. Monteer de kabels en connectors zoals voorgeschreven.
- Stel de kabels niet voor langere tijd bloot aan oplosmiddelen zoals benzeen.



#### INSTRUCTIE

Leg de kabels zodanig dat de connector tussen de camera en de verlengkabel gemakkelijk te bereiken is.

Neem de volgende instructies in acht:

- Gebruik voor het leggen van de kabels bestaande kabelgoten of andere geschikte opties, zoals bekledingsranden, ventilatieroosters of blinde stoppen. Indien er geen openingen aanwezig zijn, moeten er gaten voor de kabels worden geboord.
- Leg de kabels in het voertuig. Indien een kabel buiten het voertuig moet worden gelegd, zorg er dan voor dat de kabel is bevestigd (gebruik extra kabelbinders, isolatietape enz.).

- Zorg ervoor dat de kabels ver genoeg verwijderd liggen van hete of bewegende voertuigonderdelen (uitlaatpijpen, aandrijfassen, verlichtingssystemen, ventilatoren, verwarmingen enz.). Gebruik voor de mechanische bescherming ribbelbuis of soortgelijke beschermingsmaterialen.
  - Zorg ervoor dat de kabels niet geknikt of gedraaid zijn.
  - Zorg ervoor dat de kabels niet over de randen schuren.
  - Zorg ervoor dat de kabels niet zonder bescherming in kanalen met scherpe randen worden gelegd.
  - Bevestig de kabels veilig in het voertuig om struikelgevaar te voorkomen. Gebruik kabelbinders, isolatietape of lijm om de kabels te fixeren met hechtmiddelen.
- Monteer de systeemkabels.

### 7.3 De camera aansluiten



#### INSTRUCTIE

Breng een kleine hoeveelheid vet aan, bijvoorbeeld accupoolvet, op de stekkers om corrosie in de stekker te voorkomen.

1. Leid de stekker van het remlicht door de console.
2. Verbind de stekker van het remlicht weer met het remlicht (afb. **6**, pagina 6).
3. Sluit de camera aan zoals afgebeeld (afb. **7**, pagina 7).



#### INSTRUCTIE

Sluit de 2-aderige aansluitkabel (afb. **3 5**, pagina 5) aan op een 12V-voedingsklem die **alleen** stroom levert wanneer het voertuig is geparkeerd. De cameralamp mag bij wet niet oplichten tijdens het rijden. De exacte aansluiting op het voertuig is afhankelijk van het voertuig. Volg de instructies van de voertuigfabrikant op.

Legenda:

Nr. in afb. <b>7</b> , pagina 7	Beschrijving
1	6-polige aansluitkabel voor de achteruitrijcameramodule
2	Y-adapter CAM
3	Monitor
4	Aansluitkabel achteruitversnelling
5	6-polige stekker voor de monitor
6	RCA-stekker voor de monitor
7	Systeemkabel
8	6-polige aansluitkabel voor langeafstandscameramodule ( <b>alleen</b> CAM35-2.0 TWIN)
9	Camera CAM35-2.0 REAR of CAM35-2.0 TWIN
10	Verlichtingskabel
bk	Zwarte massa-aansluiting
rd	Rode 12 V <sup>==</sup> aansluiting

## 7.4 De stekkers beschermen

- ▶ Dicht de aangesloten stekkers af met waterafstotend plakband om ze te beschermen tegen het binnendringen van water (afb. **8**, pagina 8).

## 7.5 De camera monteren (afb. **9**, pagina 8)



### INSTRUCTIE

Leid de camerakabels in de onderzijde van de console tot aan de uitsparingen, zodat de kabels niet bekneld raken.

1. Plaats het remlicht in de camera-opening.
2. Borg de camera met twee bevestigingsschroeven 6 x 25 mm.

## 8 Gebruik

De camera kan na aansluiting via de monitor worden gebruikt.

Volg de instructies van de monitorfabrikant op.

## 9 Reiniging en onderhoud



### LET OP! Gevaar voor schade

Gebruik geen scherpe of harde voorwerpen, schurende schoonmaakmiddelen of bleekmiddel voor de reiniging.

- ▶ Reinig het toestel geregeld met een zachte, vochtige doek.
- ▶ Controleer onder spanning staande kabels of draden regelmatig op beschadigde isolatie, kabelbreuk of losse contacten.

## 10 Problemen oplossen

Fout	Mogelijke oorzaak	Oplossing
De camera werkt niet.	De camera is niet goed aangesloten.	▶ Sluit de camera opnieuw aan (zie hoofdstuk „De camera aansluiten” op pagina 66).
	Een aansluitkabel is defect.	▶ Neem contact op met een geautoriseerde klantenservice.
	De camera is defect.	▶ Neem contact op met een geautoriseerde klantenservice.
Het beeld dat door de camera wordt gegenereerd, is wazig of donker.	De camera is niet schoon.	▶ Reinig de camera (zie hoofdstuk „Reiniging en onderhoud” op pagina 67).

## 11 Garantie

De wettelijke garantieperiode is van toepassing. Als het product defect is, neem dan contact op met de detailhandelaar of met het filiaal van de fabrikant in uw land (zie [dometic.com/dealer](http://dometic.com/dealer)).

Stuur voor de afhandeling van reparaties of garantie de volgende documenten mee:

- Een kopie van de factuur met datum van aankoop
- De reden voor de claim of een beschrijving van de fout

Houd er rekening mee dat eigenmachtige of niet-professionele reparatie gevolgen voor de veiligheid kan hebben en dat de garantie hierdoor kan komen te vervallen.

## 12 Verwijdering

### Verpakkingsmateriaal recylen




- ▶ Gooi het verpakkingsmateriaal indien mogelijk altijd in recyclingafvalbakken.

### Producten met batterijen, oplaadbare batterijen en lichtbronnen recylen



- ▶ Verwijder alle batterijen, oplaadbare batterijen en lichtbronnen voordat u het product laat recylen.
- ▶ Geef uw defecte accu's of verbruikte batterijen af bij de leverancier of bij een verzamelpunt.
- ▶ Geef accu's en batterijen, oplaadbare batterijen en lichtbronnen niet mee met het huishoudelijke afval.
- ▶ Als u het product definitief weg wilt doen, vraag dan bij het dichtstbijzijnde afvalverwerkingsbedrijf of uw dealer naar de betreffende afvoorschriften.
- ▶ Het product kan gratis worden afgevoerd.

## 13 Technische gegevens

	CAM35-2.0 REAR		CAM35-2.0 TWIN	
			REAR	FAR
Beeldsensor	1/2,9 inch CMOS			
Pixels	1280 (H) X720 (V)			
AHD	960 (H) X576 (V)			
CVBS				
Videonorm (AHD en CVBS)	PAL			
Gevoeligheid	< 1 lux			
Gezichtshoek	H: 122 ± 3° V: 94 ± 3°		H: 80 ± 3° V: 50 ± 3°	
AHD	H: 118 ± 3° V: 90 ± 3°		H: 80 ± 3° V: 44 ± 3°	
CVBS				
Bedrijfspanning	6 – 16 V			
Camera	9 – 16 V			
Led				
Verbruik				
AHD	< 1,68 W		< 2,52 W	
CVBS	< 1,8 W		< 2,64 W	
Led	< 3,24 W		< 3,24 W	
Bedrijfstemperatuur	-40 °C tot 85 °C			
Beschermingsklasse	IP69k			
Trillingsbestendigheid	ISO 16750-3:2023 4.1.9.2 (IEC 60068-2-64)			
Afmetingen (b x h x d)	379,9 x 83,66 x 51,7 mm			
Gewicht	230 g		250 g	
Test- en certificerings- markeringen				

Læs og følg alle disse anvisninger, retningslinjer og advarsler i denne produktvejledning grundigt for at sikre, at du altid installerer, bruger og vedligeholder produktet korrekt. Disse anvisninger SKAL opbevares sammen med dette produkt.

Ved at benytte produktet bekræfter du hermed, at du har læst alle anvisninger, retningslinjer og advarsler grundigt, og at du forstår og er indforstået med de vilkår og betingelser, der er fastlagt heri. Du er indforstået med kun at bruge dette produkt til det beregnede formål og anvendelse i overensstemmelse med anvisningerne, retningslinjerne og advarslerne i denne produktvejledning samt i overensstemmelse med alle de gældende love og forskrifter. Manglende læsning og ignorering af disse anvisninger og advarsler kan medføre kvæstelser på dig selv og andre, skade på dit produkt eller skade på anden ejendom i nærheden. Der tages forbehold for eventuelle ændringer og opdateringer af denne produktvejledning samt anvisningerne, retningslinjerne og advarslerne samt den tilhørende dokumentation. Se [documents.dometic.com](http://documents.dometic.com) for de nyeste produktinformationer.

## Indhold

1	Forklaring af symboler	70
2	Sikkerhedshenvisninger	71
3	Leveringsomfang	72
4	Målgrupper	73
5	Korrekt brug	73
6	Teknisk beskrivelse	73
7	Montering	74
8	Betjening	75
9	Rengøring og vedligeholdelse	75
10	Udbedring af fejl	76
11	Garanti	76
12	Bortskaffelse	76
13	Tekniske data	77

## 1 Forklaring af symboler



### FARE!

**Sikkerhedshenvisning:** Angiver en farlig situation, som medfører dødsfald eller alvorlig kvæstelse, såfremt den ikke undgås.



### ADVARSEL!

**Sikkerhedshenvisning:** Angiver en farlig situation, som kan medføre dødsfald eller alvorlig kvæstelse, såfremt den ikke undgås.



### FORSIGTIG!

**Sikkerhedshenvisning:** Angiver en farlig situation, som kan medføre mindre eller lette kvæstelser, såfremt den ikke undgås.



### VIGTIGT!

Angiver en situation, som kan medføre materielle skader, såfremt den ikke undgås.

## 2 Sikkerhedshenvisninger

**Overhold de foreskrevne sikkerhedshenvisninger og bestemmelser fra køretøjsproducenten og serviceværkstedet.**

**Overhold de gældende retslige forskrifter.**



**FARE! Manglende overholdelse af disse advarsler medfører dødelige eller alvorlige kvæstelser.**

### Eksplosionsfare

- Kameraet fritager ikke føreren fra sin pligt til at være påpasselig under kørslen.
- Føreren er stadig fuldt ud ansvarlig for at køre køretøjet, for at opfylde kravene i forbindelse med trafikikkerhed og for at overholde lovbestemmelserne vedrørende sikkerhed i trafikken.



**ADVARSEL! Manglende overholdelse af disse advarsler kan medføre dødelige eller alvorlige kvæstelser.**

### Fare for kvæstelser

- Dette kamera kan anvendes af børn over 8 år og personer med nedsatte fysiske, sensoriske eller mentale evner eller manglende erfaring eller viden, hvis de er under opsyn eller er blevet instrueret i sikker brug af apparatet og forstår de involverede farer.
- Fastgør de dele, der er monteret i køretøjet, så de under ingen omstændigheder (hård opbremsning, trafikuheld) kan løsne sig og føre til kvæstelse af dem, der sidder i køretøjet.
- Monter ikke delene, der er monteret i køretøjet, i virkeområdet for en airbag. I modsat fald er der fare for kvæstelser, når airbaggen udløses.
- Utilstrækkelige ledningsforbindelser kan føre til kortslutning, der kan medføre:
  - kabelbrand,
  - at airbaggen udløses,
  - beskadigelse på elektroniske kontrolenheder,
  - elektriske fejlfunktioner (blinklys, stoplys, horn, tænding, lys).



**FORSIGTIG! Manglende overholdelse af disse forsigtighedshenvisninger kan medføre mindre eller moderate kvæstelser.**

### Fare for kvæstelser

- Fastgør de af systemets dele, der skal monteres skjult under beklædningerne, så de ikke kan løsne sig, beskadige andre dele og ledninger og begrænse køretøjets funktioner (styring, pedaler osv.).
- Læs altid sikkerhedshenvisningerne fra køretøjets producent.  
Nogle arbejder (f.eks. på sikkerhedssystemer som f.eks. en airbag osv.) må kun foretages af uddannede fagpersonale.



### VIGTIGT!

#### Fare for beskadigelse

- For at undgå skader når du borer, skal du sørge for, at der er tilstrækkelig frirum, hvor boret kommer ud.
- Fjern grater fra hvert hul, og behandl dem med rustbeskyttelsesmiddel.
- Når der arbejdes på det elektriske system, skal batterierne afbrydes fra køretøjets stel. Det gælder for hoved- og ekstra batterier.
- Anvend kun isolerede kabelsko, stik og fladstiksmuffer ved arbejde på følgende ledninger:
  - 30 (direkte indgang fra positiv batteripol)
  - 15 (tændingsplus, bagved batteriet)
  - 31 (returledning fra batteriet, stel)
  - 58 (baklygte)
- Anvend **ikke** kronemuffer.
- Anvend en krympetang til at forbinde kablerne.

- Skru kablet ved tilslutning til kabel 31 (stel).
  - Skru kablet på køretøjets stelforbindelse ved hjælp af en kabelsko og en låseskive eller
  - skru ledningen på karosseripladen med en kabelsko og en pladeskrue.
 Sørg for, at der er en god stelforbindelse.
- Hvis batteriet afbrydes, mistes alle data, der er gemt i alle flygtige lagre. Data skal eventuelt indstilles igen. Følg anvisningerne fra den pågældende køretøjsproducent. Instruktionerne til at foretage disse indstillinger findes i betjeningsvejledningen.
- Anvend kun en diodeprøvelampe eller et voltmeter til spændingskontrol i elektriske ledninger. Testlamper med et lyselement optager for høj strøm. Derved kan køretøjets elektronik beskadiges.
- Når de elektriske tilslutninger etableres, skal det sikres, at de:
  - ikke knækkes eller snos kraftigt,
  - ikke skurer mod kanter,
  - ikke trækkes uden beskyttelse mod gennemføringer med skarpe kanter.
- Isolér alle forbindelser og tilslutninger.
- Fastgør kablerne mod mekanisk belastning med kabebindere eller isoleringsbånd, for eksempel til eksisterende ledninger.
- Følg monterings- og betjeningsvejledningen for monitoren.
- Du må ikke åbne kameraet.
- Du må ikke trække i kabler.
- Udsæt ikke kablerne for opløsningsmidler såsom benzen i længere tid ad gangen.
- Brug ikke kameraerne under vand.
- Monter kabler langt nok væk fra varme eller bevægelige køretøjsdele (udstødningsrør, drivaksel-udstødningsrør, drivakslar, lys, blæsere, varmere, osv.).

### 3 Leveringsomfang

**CAM35-2.0 REAR:** fig. **1**, side 3

**CAM35-2.0 TWIN:** fig. **2**, side 4

Nr.	Antal	Beskrivelse	Ref-nr.
1	1	Kamera	
		CAM35-2.0 REAR	9620012436
		CAM35-2.0 TWIN	9620012438
2	1	Tætning	–
3	1	Y-adapter CAM	9600000552
4	1	Adapter NAV	9620012441
5	1	Systemkabel 15 m	9600001662
–	1	Lystilslutningskabel 1,5 m	–
–	2	Fastgørelsesskruer 6 x 25 mm	–



## 4 Målgrupper



Den elektriske strømforsyning skal udføres af en kvalificeret elektriker, som har godtgjort sine evner og sit kendskab med henblik på konstruktion og betjening af elektrisk udstyr og installationer, og som er bekendt med de gældende nationale forskrifter, hvor udstyret skal installeres og/eller anvendes, og som har modtaget sikkerhedsuddannelse med henblik på at kunne identificere og undgå de involverede farer.

## 5 Korrekt brug

Kameraet er beregnet til anvendelse i køretøjerne Fiat Ducato, Citroën Jumper, Peugeot Boxer fra årgang 2006 og frem med enkelt tag. Kamerakonsollen monteres mellem karosseri og bremselygte. Det kan anvendes i videosystemer, der anvendes til at iagttage området bag køretøjet fra førersædet, f.eks. når der parkeres.

Dette produkt er kun egnet til dets beregnede formål og anvendelse i overensstemmelse med disse anvisninger.

Denne vejledning giver dig oplysninger om, hvad der er nødvendigt med henblik på en korrekt montering og/eller drift af produktet. Dårlig montering og/eller ukorrekt drift eller vedligeholdelse medfører utilstrækkelig ydeevne og mulige fejl.

Producenten påtager sig intet ansvar for kvæstelser eller skader i forbindelse med produktet, der skyldes:

- ukorrekt samling eller forbindelse inklusive for høj spænding
- ukorrekt vedligeholdelse eller brug af uoriginale reservedele, der ikke stammer fra producenten
- ændringer på produktet uden udtrykkelig tilladelse fra producenten
- brug til andre formål end dem, der er beskrevet i vejledningen.

Dometic forbeholder sig ret til at ændre produktets udseende og produktspecifikationer.

## 6 Teknisk beskrivelse

Bakkameramodul og fjernkameramodul (**kun** CAM35-2.0 TWIN) er placeret i en konsol til den originale bremselygte. Kamerabilledet overføres til en monitor via et systemkabel. Kameraet er også velegnet til tilslutning til Fiat-navigationsystemet Uconnect.

Kameraet består bl.a. af følgende elementer:

Nr. på fig. 3, side 5	Beskrivelse
1	Bakkameramodul
2	Fjernkameramodul ( <b>kun</b> CAM35-2.0 TWIN)
3	6-benet tilslutningskabel til fjernkameramodul ( <b>kun</b> CAM35-2.0 TWIN)
4	6-benet tilslutningskabel til bakkamera
5	Tilslutningskabel med 2 kerner til kameralys
6	Kameralys

CAM35-2.0 er udstyret med en adapter, der giver mulighed for tilslutning til en monitor med et 6-benet stik og til en monitor med et RCA-stik (A/V-indgang).

**Kun CAM35-2.0 TWIN:** Kameraskiftende elektronik gør det muligt at betjene begge kameramoduler via kun én A/V-indgang.

## 7 Montering

### 7.1 Afmontering af bremselygten

1. Fjern bremselygtens skruer (fig. **4**, side 5).
2. Frakobl bremselygten fra køretøjet (fig. **5**, side 6).

### 7.2 Trækning af kabler



#### VIGTIGT! Fare for beskadigelse

- Før du borer huller, skal du kontrollere, om der er tilstrækkeligt frirum på den anden side af væggen, hvor boret kommer ud.
- Kabelføringer og kabelforbindelser, der ikke er korrekte, fører igen og igen til fejlfunktioner ved eller beskadigelser på komponenter. Monter kablerne og stikkene som angivet.
- Udsæt ikke kablerne for opløsningsmidler såsom benzen i længere tid.



#### BEMÆRK

Læg kablerne, så stikket mellem kameraet og forlængerkablet er nemt at nå.

Overhold følgende anvisninger:

- Anvend originale gennemføringer eller andre gennemføringsmuligheder, f.eks. beklædningskanter, ventilationsgitter eller blindstik, til gennemføringen af kablerne. Hvis der ikke findes åbninger, skal du bore huller til kablerne.
  - Læg kablerne inde i køretøjet. Hvis du er nødt til at trække et kabel uden på køretøjet, skal det fastgøres sikkert (med ekstra kabelbindere, isoleringsbånd, osv.).
  - Sørg for, at der er tilstrækkelig afstand fra kablet til dele på køretøjet, der er varme eller bevæger sig (udstødningsrør, drivakslar, lyssystemer, ventilatorer, varmeapparater osv.). Anvend bølgerør eller lignende beskyttelsesmaterialer til mekanisk beskyttelse.
  - Sørg for, at kablerne ikke er snoede eller har knæk.
  - Sørg for, at kablerne ikke gnider mod kanter.
  - Sørg for, at kablerne ikke føres uden beskyttelse mod gennemføringer med skarpe kanter.
  - Fastgør kablerne sikkert inde i køretøjet for at undgå farer for at falde. Brug kabelbindere eller isoleringsbånd, eller lim kablerne fast.
- Træk systemkablerne.

### 7.3 Tilslutning af kameraet



#### BEMÆRK

Smør en lille smule fedt, f.eks. polfedt, på stikkene for at forhindre korrosion i stikket.

1. Før bremselygtens stik gennem konsollen.
2. Sæt bremselygtens stik på bremselygten igen (fig. **6**, side 6).
3. Tilslut kameraet som vist (fig. **7**, side 7).



#### BEMÆRK

Tilslut tilslutningskablet med 2 kerner (fig. **3**, **5**, side 5) til en 12 V strømterminal, som **kun** leverer strøm, når køretøjet er parkeret. Det er ikke tilladt ifølge loven at tænde for kameraets lys under kørsel. Den nøjagtige forbindelse til køretøjet afhænger af køretøjet. Læs køretøjsproducentens vejledning.

Forklaring:

Nr. på fig. <b>7</b> , side 7	Beskrivelse
1	6-benet tilslutningskabel til bakkameramodul
2	Y-adapter CAM
3	Monitor
4	Tilslutningskabel til bakgear
5	6-benet stik til monitoren
6	RCA-stik til monitoren
7	Systemkabel
8	6-benet tilslutningskabel til fjernkameramodul ( <b>kun</b> CAM35-2.0 TWIN)
9	Kamera CAM35-2.0 REAR eller CAM35-2.0 TWIN
10	Lystilslutningskabel
bk	sort jordforbindelse
rd	rød 12 V $\equiv$ forbindelse

## 7.4 Beskyttelse af stikkene

- Forsegl de tilsluttede stik med vandafvisende tape for at beskytte dem mod vandindtrængen (fig. **8**, side 8).

## 7.5 Montering af kameraet (fig. **9**, side 8)



### BEMÆRK

Før kamerakablerne i konsollens underside føres hen til udsparingerne, så kablerne ikke klemmes.

1. Anbring bremselygten i kameraets åbning.
2. Fastgør kameraet med to 6 x 25 mm fastgørelsesskruer.

## 8 Betjening

Kameraet kan bruges via monitoren efter tilslutning.

Læs monitorproducentens vejledning.

## 9 Rengøring og vedligeholdelse



### VIGTIGT! Fare for beskadigelse

Du må ikke bruge skarpe eller hårde genstande, slibende rengøringsmidler eller blegemiddel til rengøring.

- Rengør apparatet af og til med en fugtig klud.
- Kontrollér spændingsførende kabler regelmæssigt med henblik på isoleringsfejl, brud eller løse forbindelser.

## 10 Udbedring af fejl

Fejl	Mulig årsag	Afhjælpning
Kameraet fungerer ikke.	Kameraet er tilsluttet forkert.	▶ Tilslut kameraet igen (se kapitlet „Tilslutning af kameraet“ på side 74).
	Et tilslutningskabel er defekt.	▶ Kontakt en autoriseret service-repræsentant.
	Kameraet er defekt.	▶ Kontakt en autoriseret service-repræsentant.
Det billede, der genereres af kameraet, er sløret eller mørkt.	Kameraet er ikke rent.	▶ Rengør kameraet (se kapitlet „Rengøring og vedligeholdelse“ på side 75).

## 11 Garanti

Den lovbestemte garantiperiode gælder. Hvis produktet er defekt, bedes du kontakte din forhandler eller producentens afdeling i dit land (se [dometic.com/dealer](http://dometic.com/dealer)).

Ved reparation eller krav om garanti skal du medsende følgende bilag:

- En kopi af regningen med købsdato
- En reklameringsgrund eller en fejlbeskrivelse.

Vær opmærksom på, at egne eller uprofessionelle reparationer kan have sikkerhedsmæssige konsekvenser og kan gøre garantien ugyldig.

## 12 Bortskaffelse

### Genbrug af emballagemateriale




- ▶ Bortskaf så vidt muligt emballagemateriale sammen med det tilsvarende genbrugsaffald.

### Genbrug af produkter med batterier, genopladelige batterier og lyskilder



- ▶ Fjern alle batterier, genopladelige batterier og lyskilder, før produktet genbruges.
- ▶ Aflever defekte genopladelige batterier og brugte batterier hos forhandleren eller på et indsamlingssted.
- ▶ Genopladelige og ikke-genopladelige batterier samt lyskilder må ikke bortskaffes sammen med husholdningsaffaldet.
- ▶ Hvis du vil bortskaffe produktet endegyldigt, skal du kontakte den nærmeste genbrugsstation eller din faghandel for at få de pågældende forskrifter om bortskaffelse.
- ▶ Produktet kan bortskaffes uden gebyr.

## 13 Tekniske data

	CAM35-2.0 REAR	CAM35-2.0 TWIN	
		BAK	FJERN
Billedsensor	1/2,9" CMOS		
Pixels AHD CVBS	1280 (H) X720 (V) 960 (H) X576 (V)		
Videostandard (AHD og CVBS)	PAL		
Følsomhed	< 1 lux		
Synsvinkel AHD CVBS	H: 122 ± 3° V: 94 ± 3 H: 118 ± 3° V: 90 ± 3		H: 80 ± 3° V: 50 ± 3 H: 80 ± 3° V: 44 ± 3
Driftsspænding Kamera LED:	6 – 16 V 9 – 16 V		
Forbrug AHD CVBS LED:	< 1,68 W < 1,8 W < 3,24 W	< 2,52 W < 2,64 W < 3,24 W	
Driftstemperatur	-40 °C til 85 °C		
Beskyttelsesklasse	IP69k		
Vibrationsstyrke	ISO 16750-3:2023 4.1.9.2 (IEC 60068-2-64)		
Mål (B x H x D)	379,9 x 83,66 x 51,7 mm		
Vægt	230 g	250 g	
Test- og certificerings- mærker			

Läs och följ noggrant alla instruktioner, direktiv och varningar i den här produkthandboken för att säkerställa att du alltid installerar, använder och underhåller produkten på rätt sätt. Dessa instruktioner **MÅSTE** förvaras tillsammans med produkten.

Genom att använda produkten bekräftar du härmed att du noggrant har läst alla instruktioner, direktiv och varningar och att du förstår och är införstådd med att följa de villkor som anges häri. Du är införstådd med att endast använda denna produkt i avsett syfte och i enlighet med instruktionerna, direktiven och varningarna som anges i denna produkthandbok samt i enlighet med alla gällande lagar och bestämmelser. Om du inte läser och följer instruktionerna och varningarna som anges här kan det leda till personskador på dig eller andra, på produkten eller annan egendom i närheten. Denna produkthandbok, inklusive instruktionerna, direktiven och varningarna samt relaterad information, kan ändras och uppdateras. För uppdaterad produktinformation, besök [documents.dometic.com](http://documents.dometic.com).

## Innehåll

1	Förklaring av symboler . . . . .	78
2	Säkerhetsanvisningar . . . . .	79
3	Leveransomfattning . . . . .	80
4	Målgrupper . . . . .	81
5	Avsedd användning . . . . .	81
6	Teknisk beskrivning . . . . .	81
7	Installation . . . . .	82
8	Användning . . . . .	83
9	Rengöring och skötsel . . . . .	83
10	Felsökning . . . . .	84
11	Garanti . . . . .	84
12	Avfallshantering . . . . .	84
13	Tekniska data . . . . .	85

## 1 Förklaring av symboler



### FARA!

**Säkerhetsanvisning:** Anger en farlig situation som, om den inte kan undvikas, leder till döden eller allvarlig personskada.



### VARNING!

**Säkerhetsanvisning:** Anger en farlig situation som, om den inte kan undvikas, kan leda till döden eller allvarlig personskada.



### AKTA!

**Säkerhetsanvisning:** Anger en farlig situation som, om den inte kan undvikas, leder till lindrig eller måttlig personskada.



### OBSERVERA!

Anger en situation som, om den inte kan undvikas, kan leda till materiell skada.

## 2 Säkerhetsanvisningar

**Beakta säkerhetsanvisningarna och riktlinjerna från fordonstillverkaren samt reglerna för bilmekaniska arbeten.**

**Beakta gällande lagar och bestämmelser.**



**FARA! Om man underlåter att följa de här varningarna blir följden dödsfall eller allvarig personskada.**

### Explosionsrisk

- Kameran befriar inte föraren från ansvaret vid körning.
- Föraren är helt och hållet ansvarig för framförandet av fordonet, för att följa trafikbestämmelserna och uppfylla de lagstadgade kraven på trafiksäkerhet.



**WARNING! Om man underlåter att följa de här varningarna kan följden bli dödsfall eller allvarig personskada.**

### Risk för personskada

- Barn från 8 års ålder, personer med nedsatt fysisk, sensorisk eller mental förmåga, eller personer med bristande erfarenhet och kunskaper får använda den här apparaten förutsatt att de hålls under uppsikt eller om de har fått anvisningar om hur man använder den här kameran på ett säkert sätt och känner till vilka risker som är förknippade med användningen.
- Fäst de delar som monteras i fordonet så att de inte kan lossna (t.ex. vid kraftiga inbromsningar, trafikolyckor) och skada personerna i fordonet.
- Installera inte delarna någonstans i fordonet där en krockkudde kan utlösas. Annars finns det risk för skador när krockkudden löser ut.
- Felaktigt utförda anslutningar kan leda till kortslutning, som i sin tur kan orsaka:
  - kabelbrand
  - utlösning av krockkudden
  - skador på de elektroniska styrutrustningarna
  - elektriska funktionsfel (blinkers, bromsljus, signalhorn, tändning, strålkastare).



**AKTA! Om man underlåter att följa de här försiktighetsåtgärderna kan följden bli lindrig eller måttlig personskada.**

### Risk för personskada

- Fäst de delar av systemet som monteras under täckplattor el. dyl. på så sätt att de inte kan lossna, eller skada andra delar och ledningar resp. störa några fordonsfunktioner (styrning, pedaler o.s.v.).
- Beakta fordonstillverkarens säkerhetsanvisningar.  
Vissa arbeten (t.ex. på säkerhetsutrustningen, som krockkudde etc.) får endast utföras av kvalificerade specialister.



### OBSERVERA!

#### Risk för skada

- Se till att det finns tillräckligt mycket plats för borrhålet på andra sidan så att inga delar skadas av misstag.
- Grada av borrhålen och behandla hålen med rostskyddsmedel.
- När man arbetar med elsystemet måste batterierna vara separerade från fordonets jord. Detta gäller för huvud- och tilläggsbatterierna.
- Använd endast isolerade kabelskor, stickkontakter och flathylsor vid arbeten med de nedanstående kablarna:
  - 30 (direkt ingång från batteri-pluspol)
  - 15 (tändningsplus, efter batteriet)
  - 31 (ledning från batteriet, jord)
  - 58 (backljus)

Använd **inte** anslutningsplintar av porslin.

- Använd en crimptång för att förbinda kablarna.
- Skruva fast kabeln i samband med att kabel 31 ansluts (jord).
  - Skruva fast kabeln med en kabelsko och låsbricka i någon av fordonets jordskruvar eller
  - skruva på kabeln på karosseriplåten med hjälp av en kabelsko och en plåtskruv.
 Se till att jordanslutningen är bra.
- Om batteriet kopplas bort försvinner alla data ur allt flyktigt minne. Datan kanske måste återställas. Följ fordonstillverkarens anvisningar i det här fallet. Anvisningar för hur du gör inställningarna finns i bruksanvisningen.
- Använd endast en diod-testlampa eller en voltmeter för att testa spänningen i elkablarna. Testlampor med andra ljuskällor förbrukar för mycket ström och kan på så sätt skada fordonets elsystem.
- Se till när elledningar dras att:
  - de inte böjs eller vrids för mycket
  - de inte skaver mot kanter
  - skydd används om de dras genom genomföringar med vassa kanter.
- Isolera alla kopplingar och anslutningar.
- Säkra kablarna mot mekanisk påkänning med buntband eller isoleringsband, exempelvis i befintliga ledningar.
- Följ monterings- och bruksanvisningen för skärmen.
- Öppna inte kameran.
- Dra inte i kablarna.
- Utsätt inte kablarna för lösningsmedel som bensen under längre perioder.
- Använd inte kamerorna under vatten.
- Montera kablarna tillräckligt långt bort från heta eller rörliga fordonsdelar (avgasrör, drivaxlarnas avgasrör, drivaxlar, lampor, fläktar, värmare osv.).

### 3 Leveransomfattning

**CAM35-2.0 REAR:** bild **1**, sida 3

**CAM35-2.0 TWIN:** bild **2**, sida 4

Pos.	Mängd	Beskrivning	Ref.nr.
1	1	Kamera	
		CAM35-2.0 REAR	9620012436
		CAM35-2.0 TWIN	9620012438
2	1	Tätning	–
3	1	Y-adapter CAM	9600000552
4	1	Adapter NAV	9620012441
5	1	Systemkabel 15 m	9600001662
–	1	Ljuskabel 1,5 m	–
–	2	Fästsruvar 6 x 25 mm	–



## 4 Målgrupper



Anslutningen av den elektriska strömförsörjningen måste utföras av en kvalificerad elektriker som har bevisat sina färdigheter och kunskaper inom konstruktion och drift av elutrustning och elinstallationer och som känner till gällande bestämmelser i landet där utrustningen installeras och/eller används och har fått säkerhetsutbildning för att kunna upptäcka och undvika de faror som kan uppstå.

## 5 Avsedd användning

Kameran avsedd för användning i fordonen Fiat Ducato, Citroën Jumper, Peugeot Boxer från årsmodell 2006 med enkelt tak. Kamerakonsolen monteras mellan karosseriet och bromsljuset. Den kan användas tillsammans med videosystem för övervakning från förarsätet av området bakom fordonet vid manövrering eller parkering.

Den här produkten lämpar sig endast för avsedd användning i enlighet med denna bruksanvisning.

Den här manualen informerar om vad som krävs för att installera och/eller använda produkten på rätt sätt. Felaktig installation och/eller användning eller felaktigt underhåll kommer leda till att produkten inte fungerar optimalt och riskerar gå sönder.

Tillverkaren åtar sig inget ansvar för personskador eller materiella skador på produkten som uppstår till följd av:

- Felaktig montering eller anslutning, inklusive för hög spänning
- Felaktigt underhåll eller användning av reservdelar som inte är originaldelar från tillverkaren
- Ändringar som utförts utan uttryckligt medgivande från tillverkaren
- Användning för andra ändamål än de som beskrivs i denna bruksanvisning

Dometic förbehåller sig rätten att ändra produktens utseende och specifikationer.

## 6 Teknisk beskrivning

Backkameran och långdistanskameramodulen (**endast** CAM35 2.0 TWIN) är monterade i en konsol för originalbromsljusen. Kamerabilden överförs via en systemkabel till en monitor. Kameran är också lämplig för anslutning till Fiats navigeringssystem Uconnect.

Kameran består av följande delar:

Nr på bild <b>3</b> , sida 5	Beskrivning
1	Backkameramodul
2	Långdistanskameramodul ( <b>endast</b> CAM35-2.0 TWIN)
3	6-polig anslutningskabel för långdistanskameramodul ( <b>endast</b> CAM35-2.0 TWIN)
4	6-polig anslutningskabel för backkameramodulen
5	2-kärnig anslutningskabel för kameralampan
6	Kameralampa

CAM35-2.0 är utrustad med en adapter som gör det möjligt att ansluta till en bildskärm med en 6-polig kontakt och till en bildskärm med RCA-kontakt (A/V-ingång).

**Endast CAM35-2.0 TWIN:** Kamerans kopplingselektronik gör att båda kameramodulerna kan styras via endast en A/V-ingång.

## 7 Installation

### 7.1 Demontera bromsljuset

1. Lossa skruvarna till bromsljuset (bild **4**, sida 5).
2. Koppla bort bromsljuset från fordonet (bild **5**, sida 6).

### 7.2 Kabeldragning



#### OBSERVERA! Risk för skada

- När du borrar hål, kontrollera att det finns tillräckligt mycket plats för borrspetsen på andra sidan så att den kan komma ut.
- Felaktig kabeldragning och kabelanslutning leder ofta till felaktiga funktioner eller skador på komponenterna. Installera kablarna och kontaktarna enligt anvisningarna.
- Utsätt inte kablarna för lösningsmedel som bensen under en längre tid.



#### ANVISNING

Lägg kablarna så att kontakten mellan kameran och förlängningskabeln är lätt att nå.

Beakta nedanstående anvisningar:

- Använd originalgenomföringar eller andra genomföringar som t.ex. fogar, ventilationsgaller eller oanvända anslutningar för att dra anslutningskablarna. Om det inte finns lämpliga genomföringar borrar du hål för kablarna.
  - Lägg kablarna i fordonet. Om en kabel måste dras utanför fordonet: Se till att den sätts fast ordentligt (med extra buntband, isoleringsband osv).
  - Se till att kablarna är placerade tillräckligt långt från heta och/eller rörliga delar (avgasrör, drivaxlar, belynings-system, fläktar, värmeaggregat etc.). Använd korrugerade rör eller liknande skyddsmaterial som mekaniskt skydd.
  - Kontrollera att kablarna inte är böjda eller vridna.
  - Se till att kablarna inte skaver mot kanterna.
  - Se till att kablarna inte dras genom genomföringar med vassa kanter utan skydd.
  - Fäst kablarna säkert i fordonet så att man inte kan fastna i dem. Använd buntband, isoleringstejp eller limma fast kablarna.
- Dra systemkablarna.

### 7.3 Ansluta kameran



#### ANVISNING

Applicera en liten mängd fett, t.ex. stiftfett, på kontaktarna för att förhindra korrosion i dessa.

1. Dra bromsljusets kontakt genom konsolen.
2. Sätt tillbaka bromsljusets kontakt i bromsljuset igen (bild **6**, sida 6).
3. Anslut kameran enligt bilden (bild **7**, sida 7).



#### ANVISNING

Anslut den 2-kärniga anslutningskabeln (bild **3 5**, sida 5) till ett 12 V-strömuttag som **endast** matar fordonet med ström när det är parkerat. Kameranlampan får enligt lag inte tändas under körning. Den exakta anslutningen till fordonet beror på fordonet. Följ fordonstillverkarens anvisningar.

Förklaring:

Nr på bild <b>7</b> , sida 7	Beskrivning
1	6-polig anslutningskabel för backkameramodulen
2	Y-adapter CAM
3	Monitor
4	Anslutningskabel för backväxel
5	6-polig kontakt för bildskärmen
6	RCA-kontakt för bildskärmen
7	Systemkabel
8	6-polig anslutningskabel för långdistanskameramodulen <b>(endast CAM35-2.0 TWIN)</b>
9	Kamera CAM35-2.0 REAR eller CAM35-2.0 TWIN
10	Ljuskabel
bk	Svart jordanslutning
rd	Röd 12 V <sup>−</sup> -anslutning

## 7.4 Skydda kontakterna

► Täta de anslutna kontakterna med vattenavvisande tejp för att skydda dem mot vattenintrång (bild **8**, sida 8).

## 7.5 Montera kameran (bild **9**, sida 8)



### ANVISNING

Dra kamerakablarna längst ned på konsolen upp till skårorna så att kablarna inte kläms.

1. Placera bromsljuset i kameraöppningen.
2. Fäst kameran med två 6 x 25 mm fästskruvar.

## 8 Användning

Kameran kan användas via bildskärmen efter anslutning.

Följ skärmtillverkarens anvisningar.

## 9 Rengöring och skötsel



### OBSERVERA! Risk för skada

Använd inte vassa eller hårda föremål, slipande rengöringsmedel eller blekningsmedel vid rengöring.

- Rengör apparaten då och då med en mjuk, fuktig trasa.
- Kontrollera regelbundet de spänningsförande kablarna avseende isoleringsfel, brott eller lösa anslutningar.

## 10 Felsökning

Fel	Möjlig orsak	Åtgärd
Kameran fungerar inte.	Kameran är felaktigt ansluten.	➤ Återanslut kameran (se kapitel "Ansluta kameran" på sidan 82).
	En anslutningskabel är defekt.	➤ Kontakta en auktoriserad servicerepresentant.
	Kameran är defekt.	➤ Kontakta en auktoriserad servicerepresentant.
Bilden som genereras av kameran är suddig eller mörk.	Kameran är inte ren.	➤ Rengör kameran (se kapitel "Rengöring och skötsel" på sidan 83).

## 11 Garanti

Den lagstadgade garantitiden gäller. Kontakta din återförsäljare eller tillverkarens avdelningskontor i ditt land (se [dometic.com/dealer](http://dometic.com/dealer)) om produkten är defekt.

Vid reparations- och garantiärenden ska följande dokument skickas med när du returnerar produkten:

- En kopia på fakturan med inköpsdatum
- En reklameringsbeskrivning eller felbeskrivning

Observera att självständiga eller icke professionella reparationer kan påverka säkerheten och leda till att garantin blir ogiltig.

## 12 Avfallshantering

### Återvinning av förpackningsmaterial




- Lämna om möjligt förpackningsmaterialet till återvinning.

### Återvinning av produkter med batterier, laddningsbara batterier och ljuskällor



- Avlägsna alla batterier, laddningsbara batterier och ljuskällor innan produkten lämnas till återvinning.
- Lämna dina förbrukade eller defekta (laddningsbara) batterier till återförsäljaren eller till ett samlingsställe.
- Batterier, laddningsbara batterier och ljuskällor får inte kasseras med vanligt hushållsavfall.
- När produkten slutgiltigt tas ur bruk: Informera dig om gällande bestämmelser hos närmaste återvinningscentral eller hos återförsäljaren.
- Produkten kan kasseras utan avgift.

## 13 Tekniska data

	CAM35-2.0 REAR	CAM35-2.0 TWIN	
		REAR	FAR
Bildsensor	1/2,9-tums CMOS		
Bildpunkter AHD CVBS	1 280 (H) X 720 (V) 960 (H) X 576 (V)		
Videostandard (AHD och CVBS)	PAL		
Känslighet	< 1 lux		
Synvinkel AHD CVBS	H: 122 ± 3 V: 94 ± 3 H: 118 ± 3 V: 90 ± 3		H: 80 ± 3 V: 50 ± 3° H: 80 ± 3 V: 44 ± 3
Driftspänning Kamera Lysdiod	6 – 16 V 9 – 16 V		
Förbrukning AHD CVBS Lysdiod	< 1,68 W < 1,8 W < 3,24 W	< 2,52 W < 2,64 W < 3,24 W	
Drifttemperatur	-40 °C till 85 °C		
Isolationsklass	IP69k		
Vibrationstålighet	ISO 16750-3:2023 4.1.9.2 (IEC 60068-2-64)		
Mått (B x H x D)	379,9 x 83,66 x 51,7 mm		
Vikt	230 g	250 g	
Test- och certifierings- märken			

Vennligst les disse instruksjonene nøye og følg alle anvisninger, retningslinjer og advarsler i denne produktveiledningen for å sikre at du installerer, bruker og vedlikeholder produktet ordentlig til enhver tid. Disse instruksjonene MÅ alltid følge med produktet.

Ved å bruke dette produktet bekrefter du at du har lest alle anvisninger, retningslinjer og advarsler grundig, og at du forstår og samtykker i å overholde vilkårene slik de er presentert her. Du godtar å bruke dette produktet kun til tiltenkt formål og bruksområder, og i samsvar med anvisningene, retningslinjene og advarslene slik de er presentert i denne produktveiledningen, så vel som i samsvar med alle gjeldende lovbestemmelser og forskrifter. Hvis anvisningene og advarslene som er presentert her, ikke blir lest og fulgt, kan det føre til personskader hos deg selv eller andre, skader på produktet eller skader på annen eiendom i nærheten. Denne produktveiledningen med sine anvisninger, retningslinjer og advarsler, samt relatert dokumentasjon, kan være underlagt endringer og oppdateringer. For oppdatert produktinformasjon, se [documents.dometic.com](http://documents.dometic.com).

## Innhold

1	Symbolforklaring	.86
2	Sikkerhetsinstruksjoner	.87
3	Leveringsomfang	.88
4	Målgrupper	.88
5	Forskriftsmessig bruk	.89
6	Teknisk beskrivelse	.89
7	Installasjon	.90
8	Betjening	.91
9	Rengjøring og vedlikehold	.91
10	Feilretting	.92
11	Garanti	.92
12	Avfallshåndtering	.92
13	Tekniske spesifikasjoner	.93

## 1 Symbolforklaring



### FARE!

**Sikkerhetsregel:** Kjennetegner en farlig situasjon som, dersom den ikke unngås, vil føre til alvorlige personskader, eventuelt med døden til følge.



### ADVARSEL!

**Sikkerhetsregel:** Kjennetegner en farlig situasjon som - dersom den ikke unngås - kan resultere i alvorlige personskader, eventuelt med døden til følge.



### FORSIKTIG!

**Sikkerhetsregel:** Kjennetegner en farlig situasjon som - dersom den ikke unngås - kan resultere i mindre til moderate personskader.



### PASS PÅ!

Kjennetegner en situasjon som - dersom den ikke unngås - kan resultere i materielle skader.

## 2 Sikkerhetsinstruksjoner

**Følg sikkerhetsregler og vilkår fra kjøretøyproduzent og serviceverksteder.**

**Følg gjeldende lover og forskrifter.**



**FARE! Manglende overholdelse av disse advarslene resulterer i alvorlige personskader, eventuelt med døden til følge.**

### Eksplisjonsfare

- Kameraet fritar ikke sjåføren fra sin aktsomhetsplikt under kjøring.
- Sjøføren er fortsatt ansvarlig for å kjøre kjøretøyet, følge alle trafikreglene og overholde kravene til trafikksikkerhet.



**ADVARSEL! Manglende overholdelse av disse advarslene kan resultere i alvorlige personskader, eventuelt med døden til følge.**

### Fare for personskader

- Dette kameraet kan brukes av barn fra 8 år og oppover og personer med reduserte fysiske, sensoriske eller mentale evner eller som mangler erfaring og kunnskap, hvis de er under oppsyn eller har fått veiledning i hvordan apparatet brukes på en forsvarlig måte og forstår hvilke farer det innebærer.
- Fest delene som er montert i kjøretøyet, slik at de ikke under noen omstendighet (bråbremsing, trafikkuhell) løsner og skader passasjerene.
- Delene som monteres i kjøretøyet, må ikke monteres i virkningsområdet til en kollisjonspute. Det kan føre til personskader hvis kollisjonsputen utløses.
- Feil på ledningsforbindelsene kan føre til en kortslutning som forårsaker:
  - Kabelbrann
  - Utløsning av kollisjonsputen
  - Skader på elektroniske styreanordninger
  - Elektriske funksjonsfeil (blinklys, bremselys, horn, tenning eller lykter).



**FORSIKTIG! Manglende overholdelse av disse forsiktighetsvarslene kan resultere i mindre til moderate personskader.**

### Fare for personskader

- Fest tilhørende deler skjult under paneler, slik at de ikke kan løsne eller skade andre deler og ledninger, og slik at de ikke påvirker kjøretøyet funksjon (styring, pedaler osv.).
- Følg alltid sikkerhetsrådene fra kjøretøyproduzenten. Noen typer arbeid må bare utføres av utdannet fagpersonale (for eksempel på kollisjonsputesystem o.l.).



### PASS PÅ!

#### Fare for skader

- Pass på at det er tilstrekkelig ledig plass for utgangen av boret på den andre siden for å unngå skader.
- Fjern gradene på alle hull som bores, og behandle hullene med rustbeskyttelsesmiddel.
- Ved arbeid på det elektriske anlegget må batteriene skilles fra kjøretøyet jord. Dette gjelder både hovedbatteriet og ekstra batterier.
- Bruk bare isolerte kabelsko, kontakter og flatstifhylser når du utfører arbeid på følgende kabler:
  - 30 (direkte inngang fra batteriets plusspol),
  - 15 (koblet pluss, bak batteri),
  - 31 (tilbakeleder fra batteri, jord),
  - 58 (ryggelys).
- **Ikke** bruk kabelklemmer.
- Bruk en krympetang for å forbinde kabelen.

- Skru fast kabelaen ved tilkobling til ledning 31 (jord).
  - Skru kabelaen fast til en av kjøretøyets jordkoblinger ved hjelp av en kabelsko og låseskive eller
  - Skru fast kabelaen til karosseriplaten ved hjelp av en kabelsko og en selvgjengende skrue. Sørg for at det er god jordtilkobling.
- Hvis batteriet kobles fra, vil alle data som er lagret i alle flyktige minner, gå tapt. Data kan eventuelt måtte nullstilles. Følg i så fall instruksjonene til kjøretøyproduzenten. Du kan finne instruksjonene for hvordan du utfører disse innstillingene i bruksanvisningen.
- Bruk kun en diodetestlampe eller et voltmeter til testing av spenningen i elektriske ledninger. Testlamper med lyspære bruker for mye strøm og kan skade elektronikken i kjøretøyet.
- Når du legger elektriske forbindelser må du påse at de
  - ikke er kraftig bøyd eller deformert
  - ikke gnis mot kanter
  - ikke legges uten beskyttelse gjennom gjennomføringer som har skarpe kanter
- Isoler alle forbindelser og tilkoblinger.
- Sikre kablene mot mekaniske påkjenninger med kabelstrips eller isolasjonsteip, f.eks. til allerede foreliggende ledninger.
- Følg monterings- og bruksanvisningen for monitoren.
- Kameraet må ikke åpnes.
- Ikke trekk i kablene.
- Ikke utsett kablene for løsemidler som benzen over lang tid.
- Ikke bruk kameraene under vann.
- Installer kablene på trygg avstand fra varme eller bevegelige kjøretøydeler (som eksosrør, drivakser, lykter, vifter, varmeapparater osv.).

### 3 Leveringsomfang

**CAM35-2.0 REAR:** fig. **1**, side 3

**CAM35-2.0 TWIN:** fig. **2**, side 4

Nr.	Antall	Beskrivelse	Art.nr.
1	1	Kamera CAM35-2.0 REAR CAM35-2.0 TWIN	9620012436 9620012438
2	1	Tetning	–
3	1	Y-adapter CAM	9600000552
4	1	NAV-adapter	9620012441
5	1	Systemkabel 15 m	9600001662
–	1	Lystilkoblingskabel 1,5 m	–
–	2	Festeskruer 6 x 25 mm	–

### 4 Målgrupper



Den elektriske strømforsyningen må kobles til av en kvalifisert elektriker som har vist ferdigheter og kunnskaper om oppbygging og drift av elektrisk utstyr og installasjoner, som kjenner gjeldende forskrifter i landet der utstyret skal installeres og/eller brukes, og som har mottatt sikkerhetsopplæring for å kunne identifisere og unngå farene som er forbundet med arbeidet.



## 5 Forskriftsmessig bruk

Kameraet er ment for bruk i kjøretøyene Fiat Ducato, Citroen Jumper og Peugeot Boxer fra årsmodell 2006 med enkelt tak. Kamerakonsollen monteres mellom karosseri og bremselys. De kan brukes i videosystemer som brukes til å observere området bak kjøretøyet fra førersetet ved krypekjøring eller parkering.

Dette produktet er kun egnet for det tiltenkte formålet og bruksområdet i samsvar med disse instruksjonene.

Denne veiledningen gir informasjon som er nødvendig for korrekt installasjon og/eller bruk av produktet. Feilaktig installasjon og/eller ukorrekt bruk eller vedlikehold vil resultere i en utilfredsstillende ytelse og mulig svikt.

Produsenten fraskriver seg ethvert ansvar for personskader eller materielle skader på produktet som følge av:

- Ukorrekt montering eller tilkobling, inkludert for høy spenning
- Ukorrekt vedlikehold eller bruk av andre reservedeler enn originale reservedeler levert av produsenten
- Modifisering av produktet uten at det er gitt uttrykkelig godkjenning av produsenten
- Bruk til andre formål enn beskrevet i denne veiledningen

Dometic forbeholder seg rettigheten til å endre produktet ytre og produktspesifikasjoner.

## 6 Teknisk beskrivelse

Ryggekameraet og fjernområdekameraet (**kun** CAM35 2.0 TWIN) er plassert i en konsoll for det originale bremselyset. Kamerabildet overføres via en systemkabel til en monitor. Kameraet egner seg også for tilkobling til Fiat-navigeringssystemet Uconnect.

Kameraet består bl.a. av følgende deler:

Nr. i fig. <b>3</b> , side 5	Beskrivelse
1	Ryggekamera
2	Fjernområdekamera ( <b>kun</b> CAM35-2.0 TWIN)
3	6-polet tilkoblingskabel for fjernområdekameraet ( <b>kun</b> CAM35-2.0 TWIN)
4	6-polet tilkoblingskabel for ryggekamera
5	2-polet tilkoblingskabel for kameralyset
6	Kameralys

CAM35-2.0 er utstyrt med en adapter som tillater tilkobling til en skjerm med en 6-polet kontakt og til en skjerm med en RCA-kontakt (A/V-inngang).

**Kun CAM35-2.0 TWIN:** Kamerabryterelektronikken gjør at begge kameramodulene kan betjenes via kun én A/V-inngang.

## 7 Installasjon

### 7.1 Demontere bremselys

1. Fjern skruene på bremselyset (fig. **4**, side 5).
2. Koble bremselyset fra kjøretøyet (fig. **5**, side 6).

### 7.2 Legging av kabler



#### **PASS PÅ! Fare for skader**

- Kontroller på forhånd om det er nok plass til at boret kan komme ut på andre siden av veggen når du borer hull.
- Kabellegging og kabelforbindelser som ikke er utført fagmessig, fører ofte til feilfunksjoner eller skader på komponenter. Installer kablene og kontaktene som spesifisert.
- Kablene må ikke komme i kontakt med løsningsmidler som for eksempel bensin over lengre tid.



#### **MERK**

Legg kablene slik at kontakten mellom kamera og forlengelseskabel er lett tilgjengelig.

Følg følgende anvisninger:

- For å føre gjennom kablene bruker du originalgjennomføringer eller andre gjennomføringsmuligheter, f.eks. panelkanter, luftgitter eller blindbryter. Hvis det ikke finnes tilgjengelige gjennomføringer, må du bore hull for kablene.
  - Legg kabler inne i kjøretøyet. Hvis kablen må legges utenpå kjøretøyet, må du sørge for at den festes sikkert (med ekstra kabelskjøtestykker, isolasjonsbånd, osv.).
  - Ved legging av kabler må du alltid sørge for tilstrekkelig avstand til varme og bevegelige deler på kjøretøyet (eksosrør, drivakslinger, lyssystemer, vifter, oppvarming osv.). Til mekanisk beskyttelse brukes bølgerør eller lignende beskyttelsesmaterialer.
  - Sørg for at kablene ikke er bøyd eller vridd.
  - Sørg for at kablene ikke gnis mot kanter.
  - Sørg for at kablene ikke legges uten beskyttelse gjennom gjennomføringer som har skarpe kanter.
  - Fest kablen skikkelig i kjøretøyet for å unngå at noe hektes fast i den (fare for fall). Bruk kabelstrips, isolasjonsbånd eller lim til å holde kablene på plass.
- Legg systemkablene.

### 7.3 Koble til kameraet



#### **MERK**

For å forhindre korrosjon i kontakten smører du inn litt fett, for eksempel polfett, i kontakten.

1. Før pluggen til bremselyset gjennom konsollen.
2. Sett pluggen til bremselyset på bremselyset igjen (fig. **6**, side 6).
3. Koble til kameraet som vist i (fig. **7**, side 7).



#### **MERK**

Koble den 2-polede tilkoblingskabelen (fig. **3 5**, side 5) til en strømtterminal på 12 V som **kun** leverer strøm når kjøretøyet står parkert. Ifølge loven kan ikke kameralyset lyse under kjøring. Den nøyaktige tilkoblingen til kjøretøyet avhenger av kjøretøyet. Følg anvisningene fra kjøretøyprodusenten.

Billedtekst:

Nr. i fig. 7, side 7	Beskrivelse
1	6-polet tilkoblingskabel for ryggekamera
2	Y-adapter CAM
3	Monitor
4	Tilkoblingskabel til reversgir
5	6-polet plugg for skjermen
6	RCA-plugg for skjermen
7	Systemkabel
8	6-polet tilkoblingskabel for fjernområdekameraet ( <b>kun</b> CAM35-2.0 TWIN)
9	Camera CAM35-2.0 REAR eller CAM35-2.0 TWIN
10	Lystilkoblingskabel
bk	svart jordforbindelse
rd	rød tilkobling på 12 V <sup>==</sup>

## 7.4 Beskytte pluggene

- Forsegl de tilkoblede pluggene med vannavstøtende tape for å beskytte dem mot vann som trenger inn (fig. 8, side 8).

## 7.5 Montere kameraet (fig. 9, side 8)



### MERK

Før kamerakablene på konsollens underside helt til åpningene, slik at kablene ikke klemmes.

1. Plasser bremselyset i kameraåpningen.
2. Fest kameraet med de to festeskrueene på 6 x 25 mm.

## 8 Betjening

Kameraet kan brukes via skjermen etter tilkobling.

Følg anvisningene fra skjermprodusenten.

## 9 Rengjøring og vedlikehold



### PASS PÅ! Fare for skader

Ikke bruk skarpe eller harde gjenstander, slipende vaskemidler eller blekemidler til rengjøring.

- Rengjør apparatet regelmessig med en myk, fuktig klut.
- Sjekk strømførende kabler eller ledninger regelmessig for feil på isoleringen, brudd eller vakkellkontakter.

## 10 Feilretting

Problem	Mulig årsak	Løsning
Kameraet fungerer ikke.	Kameraet er tilkoblet på feil måte.	► Koble kameraet til på nytt (se kapittel «Koble til kameraet» på side 90).
	En tilkoblingskabel er defekt.	► Kontakt et autorisert serviceverksted.
	Kameraet er defekt.	► Kontakt et autorisert serviceverksted.
Bildet som genereres av kameraet, er uskarpt eller mørkt.	Kameraet er ikke rent.	► Rengjør kameraet (se kapittel «Rengjøring og vedlikehold» på side 91).

## 11 Garanti

Lovmessig garantitid gjelder. Hvis produktet er defekt, ta kontakt med forhandleren eller produsentens filial i landet (se [dometic.com/dealer](http://dometic.com/dealer)).

Ved henvendelser vedrørende reparasjon eller garanti, må du sende med følgende dokumentasjon:

- Kopi av kvitteringen med kjøpsdato
- Årsak til reklamasjonen eller beskrivelse av feilen

Vær oppmerksom på at reparasjoner som utføres selv, eller som ikke utføres på en profesjonell måte, kan gå ut over sikkerheten og føre til at garantien blir ugyldig.

## 12 Avfallshåndtering

### Resirkulering av emballasje




- Lever emballasje til resirkulering så langt det er mulig.

### Resirkulering av produkter med batterier, oppladbare batterier og lyskilder



- Fjern alle batterier, oppladbare batterier og lyskilder før resirkulering av produktet.
- Lever defekte eller brukte batterier enten til forhandleren eller på en oppsamlingsstasjon.
- Avhend ikke batterier, oppladbare batterier og lyskilder i husholdningsavfallet.
- Hvis du ønsker å avfallsbehandle produktet, må du rådføre deg med nærmeste gjenvinningsstasjon eller din faghandler om hvordan du kan gjøre dette i overensstemmelse med gjeldende deponeringsforskrifter.
- Produktet kan avhendes gratis.

### 13 Tekniske spesifikasjoner

	CAM35-2.0 REAR		CAM35-2.0 TWIN	
			REAR	FAR
Bildesensor	1/2,9 tommer CMOS			
Piksler AHD CVBS	1280 (H) x 720 (V) 960 (H) x 576 (V)			
Videostandard (AHD og CVBS)	PAL			
Følsomhet	< 1 lux			
Synsvinkel AHD CVBS	H: 122 ± 3° V: 94 ± 3 H: 118 ± 3° V: 90 ± 3		H: 80 ± 3° V: 50 ± 3 H: 80 ± 3° V: 44 ± 3	
Driftsspennning Kamera LED:	6 – 16 V 9 – 16 V			
Forbruk AHD CVBS LED:	< 1,68 W < 1,8 W < 3,24 W	< 2,52 W < 2,64 W < 3,24 W		
Driftstemperatur	-40 °C til 85 °C			
Kapslingsgrad	IP69k			
Vibrasjonsfasthet	ISO 16750-3:2023 4.1.9.2 (IEC 60068-2-64)			
Mål (B x H x D)	379,9 x 83,66 x 51,7 mm			
Vekt	230 g	250 g		
Test- og sertifiserings- merke				

Lue nämä ohjeet huolellisesti ja noudata kaikkia tämän tuotteen käyttöohjeissa annettuja ohjeita, määräyksiä ja varoituksia. Näin varmistat, että tuotteen asennus, käyttö ja huolto sujuu aina oikein. Näiden ohjeiden TÄYTYY jäädä tuotteen yhteyteen.

Käyttämällä tuotetta vahvistat lukeneesi kaikki ohjeet, määräykset ja varoitukset huolellisesti ja että ymmärrät ja hyväksyt tässä annetut ehdot. Sitoudut käyttämään tuotetta ainoastaan sen käyttötarkoitukseen ja ilmoitetuissa käyttökohteissa ja noudattaen tässä tuotteen käyttöohjeessa annettuja ohjeita, määräyksiä ja varoituksia sekä voimassa olevia lakeja ja määräyksiä. Tässä annettujen ohjeiden ja varoitusten lukematta ja noudattamatta jättäminen voi johtaa omaan tai muiden loukkaantumiseen, tuotteen vaurioitumiseen tai muun ympärillä olevan omaisuuden vaurioitumiseen. Tähän tuotteen käyttöohjeeseen, ohjeisiin, määräyksiin ja varoituksiin sekä oheisdokumentteihin voidaan tehdä muutoksia ja niitä voidaan päivittää. Katso ajantasaiset tuotetiedot osoitteesta [documents.dometic.com](http://documents.dometic.com).

## Sisältö

1	Symbolien selitykset	.94
2	Turvallisuusohjeet	.95
3	Toimituskokonaisuus	.96
4	Kohderyhmät	.97
5	Käyttötarkoitus	.97
6	Tekninen kuvaus	.97
7	Asennus	.98
8	Käyttö	.99
9	Puhdistus ja hoito	.99
10	Vianetsintä	.100
11	Takuu	.100
12	Hävittäminen	.100
13	Tekniset tiedot	.101

## 1 Symbolien selitykset



### VAARA!

**Turvallisuusohjeet:** Viittaa vaaralliseen tilanteeseen, joka johtaa kuolemaan tai vakavaan loukkaantumiseen, jos sitä ei vältetä.



### VAROITUS!

**Turvallisuusohjeet:** viittaavat vaaralliseen tilanteeseen, joka voi johtaa kuolemaan tai vakavaan loukkaantumiseen, jos ohjeita ei noudateta.



### HUOMIO!

**Turvallisuusohjeet:** viittaavat vaaralliseen tilanteeseen, joka voi johtaa lievään tai kohtalaiseen loukkaantumiseen, jos ohjeita ei noudateta.



### HUOMAUTUS!

viittaavat tilanteeseen, joka voi johtaa esinevahinkoon, jos ohjeita ei noudateta.

## 2 Turvallisuusohjeet

**Noudata ajoneuvon valmistajan ja huoltokorjaamojen antamia turvallisuusohjeita ja -määräyksiä.**

**Noudata voimassa olevia lakeja ja määräyksiä.**



**VAARA! Näiden varoitusten noudattamatta jättäminen johtaa kuolemaan tai vakavaan vammaan.**

### Räjähdystvaara

- Kamera ei vapauta kuljettajaa velvollisuudesta olla ajaessaan valppaana.
- Kuljettaja on täysin vastuussa ajoneuvon ajamisesta, tieturvallisuusmääräysten noudattamisesta ja lakisääteisten tieturvallisuusvaatimusten täyttämisestä.



**VAROITUS! Näiden varoitusten noudattamatta jättäminen voi johtaa kuolemaan tai vakavaan vammaan.**

### Loukkaantumiswaara

- Tätä kameraa voivat käyttää valvonnan alaisuudessa myös vähintään 8-vuotiaat lapset samoin kuin henkilöt, joiden fyysiset, aistinvaraiset tai henkiset kyvyt ovat rajoittuneet tai joilta puuttuu laitteen käytön vaatima kokemus tai tietämys, mikäli edellä mainittuja henkilöitä on opastettu käyttämään laitetta turvallisesti ja mikäli henkilöt ymmärtävät laitteen käyttöön liittyvät riskit.
- Kiinnitit ajoneuvoon asennettavat osat siten, että ne eivät missään tapauksessa (äkkijarrutus, liikenneonnettomuus) irtoa ja johda ajoneuvon matkustajien loukkaantumiseen.
- Älä asenna ajoneuvoon asennettavia osia turvatyynyn vaikutusalueelle. Muuten turvatyynyn laukeamisesta aiheutuu loukkaantumiswaara.
- Virheelliset liitännät voivat aiheuttaa oikosulun, jonka takia
  - syntyy johtopaloja,
  - turvatyyny (airbag) laukeaa,
  - elektroniset ohjauslaitteet vahingoittuvat,
  - esiintyy sähkölaitteiden (vilkut, jarruvalot, äänimerkki, syytys, valot) toimintavirheitä.



**HUOMIO! Näiden varoitusten noudattamatta jättäminen voi johtaa vähäiseen tai kohtalaiseen vammaan.**

### Loukkaantumiswaara

- Kiinnitit järjestelmän verhousten alle kiinnitettävät osat siten, että ne eivät voi irrota tai vahingoittaa muita osia ja johtimia tai haitata mitään ajoneuvon toimintoja (ohjaus, polkimet jne.).
- Noudata aina ajoneuvovalmistajan turvallisuusohjeita. Tietyt työt (esim. törmäysuojajärjestelmiin kuten turvatyynyihin jne. liittyvät työt) saa tehdä vain pätevä ammattihenkilöstö.



### HUOMAUTUS!

#### Vahingonvaara

- Porattaessa on huolehdittava siitä, että poran terällä on reiän takana riittävästi tilaa, jotta terä ei aiheuta vaurioita.
- Pyöristä kaikkien reikien reunat ja käsittele ne ruostesuoja-aineella.
- Työskenneltäessä sähköjärjestelmän parissa täytyy akut irrottaa ajoneuvon maadoituksesta. Tämä koskee sekä pääakkuja että lisäakkuja.
- Käytä seuraavien johtojen parissa tehtävissä töissä vain eristettyjä kaapelikenkiä, pistokkeita ja abico-liittimiä:
  - 30 (suora tulo akun plusnavasta),
  - 15 (kytketty plus, akun takana),
  - 31 (akun paluujohdo, maa),
  - 58 (peruutusvalo).
- **Älä** käytä sokeripalaliittimiä.
- Käytä johtojen liittämiseen Abiko-pihtejä.

- Kun liität johdon 31 (maa), kierrä se
  - kaapelikengällä ja aluslevyllä ajoneuvon omaan maadoitusruuviin tai
  - kaapelikengällä ja peltiruuvilla koripeltiin.
 Huolehdi hyvästä maakosketuksesta.
- Jos akku irrotetaan, kaikista sähköisistä muisteista häviää niihin tallennetut tiedot. Tiedot täytyy mahdollisesti palauttaa. Noudata tässä tapauksessa ajoneuvon valmistajan ohjeita. Ohjeet näiden asetusten tekemiseen löytyvät käyttöohjeesta.
- Käytä sähköjohdinten jännitteen tarkastamiseen vain diodisähkökynää tai volttimittaria. Loistelampulla toimivat sähkökynät ottavat liian paljon virtaa, mikä voi johtaa ajoneuvoelektroniiikan vahingoittumiseen.
- Kun vedät sähköjohtoja, varmista että ne
  - eivät ole voimakkaasti taitteella tai kierteellä,
  - eivät hankaa reunoihin,
  - eivät kulje suojaamattomina teräväreunaisista rei'istä.
- Eristä kaikki johtimet ja liitännät.
- Kiinnitä johdot nippusiteillä tai eristysnauhalla esimerkiksi aiemmin asennettuihin johtoihin, jotta johtoihin ei kohdistu mekaanista kuormitusta.
- Noudata monitorin asennus- ja käyttöohjeita.
- Älä avaa kameraa.
- Älä vedä johdoista.
- Älä altista johtoja liuottimille, kuten bentseenille, pitkäksi aikaa.
- Älä käytä kameroita veden alla.
- Asenna kaapelit riittävän kauas kuumista tai liikkuvista ajoneuvon osista (pakoputket, vetoaksien pakoputket, vetoakselit, valot, puhaltimet, lämmittimet jne.).

### 3 Toimituskokonaisuus

**CAM35-2.0 REAR:** kuva **1**, sivulla 3

**CAM35-2.0 TWIN:** kuva **2**, sivulla 4

Nro	Määrä	Kuvaus	Tuotenro
1	1	Kamera CAM35-2.0 REAR CAM35-2.0 TWIN	9620012436 9620012438
2	1	Tiiviste	–
3	1	Y-adapteri CAM	9600000552
4	1	Adapteri NAV	9620012441
5	1	Järjestelmäjohto 15 m	9600001662
–	1	Valon liitäntäjohto 1,5 m	–
–	2	Kiinnitysruuvit 6 x 25 mm	–



## 4 Kohderyhmät



Sähköliitännän saa tehdä vain pätevä sähköasentaja, jolla on sähkölaitteiden ja -asennusten rakentamiseen ja käyttöön tarvittavat tiedot ja taidot ja joka on käynyt turvallisuuskoulutuksen ja osaa siten tunnistaa ja välttää mahdolliset vaarat.

## 5 Käyttötarkoitus

Kamera on suunniteltu käytettäväksi yksinkertaisella katolla varustetuissa ajoneuvoissa Fiat Ducato, Citroën Jumper, Peugeot Boxer vuosimallista 2006 alkaen. Kamerakonsolit asennetaan korin ja jarruvalon väliin. Sitä voi käyttää videojärjestelmissä, jotka on tarkoitettu ajoneuvon takana olevan ympäristön tarkkailuun kuljettajan istuimelta ajoneuvoa käänneltäessä tai pysäköitäessä.

Tämä tuote soveltuu ainoastaan näissä ohjeissa ilmoitettuun käyttötarkoitukseen ja käyttökohteeseen.

Näistä ohjeista saat tuotteen asianmukaiseen asennukseen ja/tai käyttöön tarvittavat tiedot. Väärin tehdyn asennuksen ja/tai väärin käyttötavan tai väärinlaisen huollon seurauksena laite ei toimi tyydyttävästi, ja se saattaa mennä epäkuuntoon.

Valmistaja ei ota vastuuta tapaturmista tai tuotevaurioista, jotka johtuvat seuraavista:

- Väärin tehty asennus tai liitäntä, ylijännite mukaan lukien
- Väärin tehty huolto tai muiden kuin valmistajalta saatavien alkuperäisten varaosien käyttö
- Tuotteeseen ilman valmistajan nimenomaista lupaa tehdyt muutokset
- Käyttö muuhun kuin tässä ohjeessa ilmoitettuun tarkoitukseen

Dometic pitää itsellään oikeuden muutoksiin tuotteen ulkonäössä ja spesifikaatioissa.

## 6 Tekninen kuvaus

Peruutuskameramoduuli ja etäkameramoduuli (**vain** CAM35 2.0 TWIN) on sijoitettu alkuperäisen jarruvalon konsoliin. Kameran kuva välitetään monitoriin järjestelmäjohdon avulla. Kamera soveltuu myös liitettäväksi Fiatin Uconnect-navigointijärjestelmään.

Kamera sisältää muun muassa seuraavat elementit:

Kohde kuva <b>3</b> , sivulla 5	Kuvaus
1	Peruutuskameramoduuli
2	Etäkameramoduuli ( <b>vain</b> CAM35-2.0 TWIN)
3	6-napainen liitäntäjohto etäkameramoduulille ( <b>vain</b> CAM35-2.0 TWIN)
4	6-napainen liitäntäjohto peruutuskameramoduulille
5	2-ytiminen liitäntäjohto kameravalolle
6	Kameravallo

CAM35-2.0 on varustettu adapterilla jonka avulla se voidaan liittää näyttöön, jossa on 6-nastainen liitin, ja näyttöön, jossa on RCA-liitin (A/V-tulo).

**vain CAM35-2.0 TWIN:** Kamerakytkentäelektronikan ansiosta molempia kameramoduuleja voidaan käyttää vain yhden A/V-tulon kautta.

## 7 Asennus

### 7.1 Jarruvalon irrottaminen

1. Avaa jarruvalon ruuvit (kuva **4**, sivulla 5).
2. Irrota jarruvalo ajoneuvosta (kuva **5**, sivulla 6).

### 7.2 Johtojen vetäminen



#### HUOMAUTUS! Vahingonvaara

- Varmista ennen mahdollisten reikien poraamista, että porausreiän takana toisella puolella seinää on tarpeeksi tyhjää tilaa.
- Epäasianmukaiset johtosijoittelut ja -liitokset johtavat yhä uudelleen virhetoimintoihin ja rakenneosien vaurioitumiseen. Asenna johdot ja liittimet ohjeiden mukaisesti.
- Älä altista johtoja liuottimille, kuten bentseenille, pitkäksi aikaa.



#### OHJE

Aseta johdot niin, että kameran ja jatkojohdon välinen liitin on helposti saavutettavissa.

Noudata seuraavia ohjeita:

- Vedä liitäntäjohdot käyttäen valmiina olevia läpivientejä tai muita läpivientimahdollisuuksia, kuten verhouksen reunoja, tuuletusrilöitä tai puuttuvien kytkinten peitelevyjä. Jos läpivientiaukkoja ei ole, poraa reiät johtoja varten.
- Vedä liitäntäjohdot ajoneuvon sisällä. Jos johto on asennettava ajoneuvon ulkopuolelle, huolehdi siitä, että johto on kiinnitetty hyvin (lisäksi nippusiteillä, eristysteipillä jne.).
- Varmista, että johdot ovat riittävän kaukana kuumista tai liikkuvista ajoneuvon osista (pakoputkista, vetoakseleista, valojärjestelmistä, tuulettimista, lämmittimistä jne.). Käytä mekaaniseen suojaamiseen aaltoputkea tai vastaavanlaisia suojamateriaaleja.
- Varmista, että johdot eivät ole mutkalla tai kiertyneet.
- Varmista, että johdot eivät hankaa reunoja.
- Varmista, että johdot eivät kulje suojaamattomina teräväreunaisista rei'istä.
- Kiinnitä johdot turvallisesti ajoneuvoon, jotta niihin ei voi kompastua. Käytä nippusiteitä tai eristysnauhaa, tai kiinnitä johdot liimaamalla paikalleen.
- ▶ Vedä johdot.

### 7.3 Kameran liittäminen



#### OHJE

Levitä pistokkeisiin pieni määrä rasvaa, kuten liitinnavoille tarkoitettua rasvaa, pistokkeen korroosion estämiseksi.

1. Vie jarruvalon pistoke konsolin läpi.
2. Yhdistä jarruvalon pistoke takaisin jarruvaloon (kuva **6**, sivulla 6).
3. Liitä kamera kuvan osoittamalla tavalla (kuva **7**, sivulla 7).



#### OHJE

Liitä 2-ytiminen liitäntäjohto (kuva **3**, **5**, sivulla 5) 12 voltin virtaliittimeen, joka syöttää virtaa **vain** silloin, kun ajoneuvo on pysäköitynä. Kameravalvo ei saa lain mukaan syytä ajon aikana. Tarkka liitäntä ajoneuvoon riippuu ajoneuvosta. Noudata ajoneuvovalmistajan ohjeita.

Selite:

Kohde kuva <b>7</b> , sivulla 7	Kuvaus
1	6-napainen liitäntäjohto peruutuskameramoduulille
2	Y-adapteri CAM
3	Monitori
4	Liitäntäjohdon peruutusvaihe
5	6-nastainen pistoke näyttöön
6	RCA-pistoke näyttöön
7	Järjestelmäjohto
8	6-napainen liitäntäjohto etäkameramoduulille ( <b>vain</b> CAM35-2.0 TWIN)
9	Kamera CAM35-2.0 REAR tai CAM35-2.0 TWIN
10	Valon liitäntäjohto
bk	musta maadoitusliitäntä
rd	punainen 12 V <sup>==</sup> liitäntä

#### 7.4 Pistokkeiden suojaaminen

- ▶ Tiivistä liitetyt pistokkeet vettähylykivällä teipillä veden pääsyn estämiseksi (kuva **8**, sivulla 8).

#### 7.5 Kameran asentaminen (kuva **9**, sivulla 8)



##### OHJE

Vedä kamerajohdot konsolin alapuolella koloihin asti, jotta ne eivät joudu puristuksiin.

1. Aseta jarruvalo kameran aukkoon.
2. Kiinnitä kamera kahdella kiinnitysruuilla 6 x 25 mm.

## 8 Käyttö

Kameraa voidaan käyttää näytön kautta liittämisen jälkeen.

Noudata näyttövalmistajan ohjeita.

## 9 Puhdistus ja hoito



##### HUOMAUTUS! Vahingonvaara

Älä käytä puhdistukseen teräviä tai kovia esineitä, hankaavia puhdistusaineita tai valkaisuainetta.

- ▶ Puhdista laite ajoittain pehmeällä kostealla liinalla.
- ▶ Tarkasta jännitteenalaiset johdot ja johtimet säännöllisesti eristevikojen, katkosten ja liitäntöjen löystymisen varalta.

## 10 Vianetsintä

Häiriö	Mahdollinen syy	Korjaus
Kamera ei toimi.	Kameraa ei ole liitetty oikein.	► Liitä kamera uudelleen (katso kap. "Kameran liittäminen" sivulla 98).
	Liitäntäjohto on viallinen.	► Ota yhteyttä valutettuun huolto-palveluun.
	Kamera on viallinen.	► Ota yhteyttä valutettuun huolto-palveluun.
Kameran tuottama kuva on epä-tarkka tai tumma.	Kamera ei ole puhdas.	► Puhdista kamera (katso kap. "Puhdistus ja hoito" sivulla 99).

## 11 Takuu

Tuotetta koskee lakisääteinen tuotevastuu-aika. Jos tuote on viallinen, ota yhteyttä jälleenmyyjään tai valmistajan toimipisteeseen omassa maassasi (ks. [dometic.com/dealer](http://dometic.com/dealer)).

Jos lähetät tuotteen korjattavaksi, liitä korjaus- ja takuukäsittelyä varten mukaan seuraavat asiakirjat:

- Kopio kuitista, jossa näkyy ostopäivä
- Valitusperuste tai vikakuvaus

Huomaa, että itse tai väärin tehty korjaus voi vaarantaa turvallisuuden ja johtaa takuun raukeamiseen.

## 12 Hävittäminen

### Pakkausmateriaalin kierrätys




- Vie pakkausmateriaalit mahdollisuuksien mukaan niille tarkoitettuihin kierrätysjäteastioihin.

### Paristoja, ladattavia akkuparistoja ja valonlähteitä sisältävien tuotteiden kierrätys



- Poista paristot, ladattavat akkuparistot ja valonlähteet ennen tuotteen kierrätystä.
- Toimita vialliset akut tai käytetyt paristot kauppialle tai keräyspisteeseen.
- Paristot, ladattavat akkuparistot ja valonlähteet eivät kuulu kotitalousjätteeseen.
- Jos haluat poistaa tuotteen lopullisesti käytöstä, tiedustele yksityiskohtaisia hävittämistä koskevia ohjeita ja määräyksiä lähimmästä kierrätyskeskuksesta tai erikoisliikkeestä.
- Tuotteen voi hävittää veloitusetta.

## 13 Tekniset tiedot

	CAM35-2.0 REAR		CAM35-2.0 TWIN	
			REAR	FAR
Kuvakenno	1/2,9 tuuman CMOS			
Kuvapisteitä AHD CVBS			1280 (V) x 720 (P) 960 (V) x 576 (P)	
Videostandardi (AHD ja CVBS)	PAL			
Herkkyys	< 1 luksi			
Valokeilan kulma AHD CVBS	H: 122 ± 3° V: 94 ± 3° H: 118 ± 3° V: 90 ± 3°		H: 80 ± 3° V: 50 ± 3° H: 80 ± 3° V: 44 ± 3°	
Käyttöjännite Kamera LED	6 – 16 V 9 – 16 V			
Kulutus AHD CVBS LED	< 1,68 W < 1,8 W < 3,24 W	< 2,52 W < 2,64 W < 3,24 W		
Käyttölämpötila	-40 °C ... 85 °C			
Kotelointiluokka	IP69k			
Tärinänkesto	ISO 16750-3:2023 4.1.9.2 (IEC 60068-2-64)			
Mitat (L x K x S)	379,9 x 83,66 x 51,7 mm			
Paino	230 g	250 g		
Testi- ja sertifiointimerkinnot				

Пожалуйста, внимательно прочтите и соблюдайте все указания, рекомендации и предупреждения, содержащиеся в этом руководстве по использованию изделия, чтобы гарантировать правильную установку, использование и обслуживание изделия. Эта инструкция ДОЛЖНА оставаться вместе с этим изделием.

Используя изделие, вы тем самым подтверждаете, что внимательно прочитали все указания, рекомендации и предупреждения, а также, что вы понимаете и соглашаетесь соблюдать положения и условия, изложенные в настоящем документе. Вы соглашаетесь использовать это изделие только по прямому назначению и в соответствии с указаниями, рекомендациями и предупреждениями, изложенными в данном руководстве по использованию изделия, а также в соответствии со всеми применимыми законами и правилами. Несоблюдение указаний и предупреждений, изложенных в данном документе может привести к травмам вас и других лиц, повреждению вашего изделия или повреждению другого имущества, находящегося поблизости. Данное руководство по использованию изделия, включая указания, рекомендации и предупреждения, а также сопутствующую документацию, может подвергаться изменениям и обновлениям. Актуальную информацию о продукте можно найти на сайте [documents.dometic.com](http://documents.dometic.com).

## Содержание

1	Пояснение к символам	102
2	Указания по технике безопасности	103
3	Комплект поставки	105
4	Целевые группы	105
5	Использование по назначению	105
6	Техническое описание	106
7	Монтаж	106
8	Эксплуатация	108
9	Очистка и уход	108
10	Устранение неисправностей	109
11	Гарантия	109
12	Утилизация	109
13	Технические характеристики	110

## 1 Пояснение к символам



### ОПАСНОСТЬ!

**Указание по технике безопасности:** Указывает на опасную ситуацию, которая, если ее не избежать, приведет к смерти или серьезным травмам.



### ПРЕДУПРЕЖДЕНИЕ!

**Указание по технике безопасности:** Указывает на опасную ситуацию, которая, если ее не избежать, может привести к смерти или серьезным травмам.



### ОСТОРОЖНО!

**Указание по технике безопасности:** Указывает на опасную ситуацию, которая, если ее не избежать, может привести к травмам легкой или средней степени тяжести.

**ВНИМАНИЕ!**

Указывает на ситуацию, которая, если ее не избежать, может привести к материальному ущербу.

## 2 Указания по технике безопасности

**Соблюдайте инструкции по технике безопасности изготовителя автомобиля и правила техники безопасности, установленные в автомастерской.**

**Соблюдайте требования действующего законодательства.**



**ОПАСНОСТЬ! Несоблюдение этих предупреждений ведет к смерти или серьезной травме.**

**Опасность взрыва**

- Камера не освобождает водителя от обязанности соблюдать осторожность при вождении.
- Водитель остается полностью ответственным за управление транспортным средством, за выполнение своих обязательств по безопасности дорожного движения и за соблюдение установленных законом требований безопасности дорожного движения.



**ПРЕДУПРЕЖДЕНИЕ! Несоблюдение этих предупреждений может привести к смерти или серьезной травме.**

**Опасность получения травм**

- Это устройство может использоваться детьми с 8-ми лет и старше, а также лицами с ограниченными физическими, сенсорными и умственными возможностями или при недостатке необходимого опыта и знаний только под присмотром или после прохождения инструктажа по безопасному использованию устройства, если они понимают опасности, которые при этом могут возникнуть.
- Крепите установленные в автомобиле детали так, чтобы они ни при каких условиях (резком торможении, аварии) не могли отсоединиться, тем самым приводя к травмам пассажиров.
- Не крепите устанавливаемые в автомобиле детали в радиусе действия надувных подушек безопасности. В противном случае имеется опасность травмирования в случае срабатывания надувной подушки безопасности.
- Неправильное присоединение проводов могут стать причиной короткого замыкания, которое приведет к
  - возгоранию кабелей,
  - срабатыванию надувной подушки безопасности,
  - повреждению электронных устройств управления,
  - неисправности электрической системы (сигнал поворота, стоп-сигнал, звуковой сигнал, зажигание, фары).



**ОСТОРОЖНО! Несоблюдение этих предостережений может привести к травме легкой или средней степени тяжести.**

**Опасность получения травм**

- Крепите скрытые, устанавливаемые под обшивкой детали системы так, чтобы они не могли отсоединиться или повредить другие детали и провода и нарушить функции автомобиля (рулевое управление, педали и т. п.).
- Всегда соблюдайте указания изготовителя автомобиля по технике безопасности. Некоторые работы (например, на системах безопасности, в т. ч. на надувных подушках безопасности) разрешается выполнять только специалистам.

**ВНИМАНИЕ!****Риск повреждения**

- Во избежание повреждений при сверлении следите за достаточным свободным пространством для выхода сверла.
- Зачистите все отверстия и смажьте их антикоррозионным средством.
- При работах на электрической системе аккумуляторы должны быть отсоединены от корпуса транспортного средства. Это относится к основной и дополнительной батареям.
- Используйте при работах на следующих линиях только изолированные кабельные наконечники, штекеры и наружные плоские штекеры:
  - 30 (вход положительного полюса батареи, прямой),
  - 15 (включенный положительный полюс, за аккумуляторной батареей),
  - 31 (обратная цепь от аккумуляторной батареи, корпус),
  - 58 (фара заднего хода).

**Не** используйте керамические клеммные колодки.

- Для соединения кабелей используйте обжимные клещи.
- Привинтите кабель, если производится соединение к проводу 31 (заземление):
  - Привинтите с помощью кабельного наконечника и стопорной шайбы к венту для соединения на массу, имеющемуся на автомобиле, или
  - Прикрутите кабель к обшивке металлическим листом, используя кабельный наконечник и самонарезной шуруп.

Обеспечивайте хорошее соединение на массу!

- При отсоединении аккумуляторной батареи все энергозависимые электронные запоминающие устройства систем комфорта теряют сохраненные в них данные. Данные могут быть сброшены. В этом случае следуйте инструкциям производителя транспортного средства. Указания по выполнению этих настроек можно найти в инструкции по эксплуатации.
- Для проверки напряжения в электрических линиях используйте только диодную контрольную лампу или вольтметр.  
Контрольные лампы с нитью накала потребляют слишком большой ток, вследствие чего может быть повреждена электроника автомобиля.
- При прокладке электрических линий следите за тем, чтобы они
  - не перегибались и не скручивались,
  - не терлись о края,
  - не прокладывались без защиты через отверстия, имеющие острые края.
- Изолируйте все линии и соединения.
- Защитите кабели от механических воздействий с помощью кабельных стяжек или изоленты, например, прикрепив их к существующим линиям.
- Следуйте руководству по монтажу и эксплуатации монитора.
- Не вскрывайте камеру.
- Не тяните за кабели.
- Не подвергайте кабели воздействию растворителей, таких как бензол, в течение длительного времени.
- Не используйте камеры под водой.
- Прокладывайте кабели на достаточном расстоянии от горячих или движущихся частей автомобиля (выхлопных труб, приводных валов, фар, вентиляторов, обогревателей и т. д.).



### 3 Комплект поставки

**CAM35-2.0 REAR:** рис. **1**, стр. 3

**CAM35-2.0 TWIN:** рис. **2**, стр. 4

Поз.	Количество	Наименование	Арт. №
1	1	Камера	
		CAM35-2.0 REAR	9620012436
		CAM35-2.0 TWIN	9620012438
2	1	Уплотнение	–
3	1	Переходник Y-Adapter CAM	9600000552
4	1	Переходник NAV	9620012441
5	1	Системный кабель 15 м	9600001662
–	1	Кабель для подключения осветителя 1,5 м	–
–	2	Крепежные винты 6 x 25 мм	–

### 4 Целевые группы



Источник электропитания должен быть подключен квалифицированным электриком, который продемонстрировал навыки и знания, связанные с монтажом и эксплуатацией электрооборудования и внутренних электрических сетей, и прошел обучение по технике безопасности в целях выявления и предотвращения связанных с этим опасностей.

### 5 Использование по назначению

Камера предназначена прежде всего для использования в автомобилях Fiat Ducato, Citroen Jumper, Peugeot Boxe (модельный год 2006 и выше) с простой крышей. Консоль камеры устанавливается между кузовом и фарой стоп сигнала. Она может применяться в видеосистемах, служащих для наблюдения за зоной позади автомобиля с сиденья водителя при маневрировании или парковке.

Это изделие подходит только для использования по назначению и применения в соответствии с данной инструкцией.

В данной инструкции содержится информация, необходимая для правильного монтажа и/или эксплуатации изделия. Неправильный монтаж и/или ненадлежащая эксплуатация или техническое обслуживание приводят к неудовлетворительной работе и возможному отказу.

Изготовитель не несет ответственности за какие-либо травмы или повреждение продукта в результате следующих причин:

- Неправильная сборка или подключение, включая повышенное напряжение
- Неправильное техническое обслуживание или использование запасных частей, отличных от оригинальных запасных частей, предоставленных изготовителем
- Изменения в продукте, выполненные без однозначного разрешения изготовителя
- Использование в целях, отличных от указанных в данной инструкции

Компания Dometic оставляет за собой право изменять внешний вид и технические характеристики продукта.

## 6 Техническое описание

Модуль камеры заднего вида и модуль камеры обзора (**только** CAM35 2.0 TWIN) устанавливаются в консоль, предназначенную для оригинального стоп-сигнала. Изображение с камеры передается на монитор по системному кабелю. Камера также подходит для подключения к навигационной системе Fiat Uconnect.

Камера состоит из следующих основных элементов:

Поз. на рис. <b>3</b> , стр. 5	Наименование
1	Модуль камеры заднего вида
2	Модуль камеры обзора ( <b>только</b> CAM35-2.0 TWIN)
3	6-контактный кабель для подключения модуля камеры обзора ( <b>только</b> CAM35-2.0 TWIN)
4	6-контактный кабель для подключения модуля камеры заднего вида
5	2-жильный кабель для подключения осветителя камеры
6	Осветитель камеры

CAM35-2.0 оснащена переходником, который позволяет подключение к монитору с 6-контактным разъемом и к монитору с разъемом RCA (вход A/V).

Только **CAM35-2.0 TWIN**: Электроника переключения камер позволяет управлять обоими модулями камер через один вход A/V.

## 7 Монтаж

### 7.1 Снимите фару стоп-сигнала

1. Снимите винты с фары стоп-сигнала (рис. **4**, стр. 5).
2. Отсоедините фару стоп-сигнала от транспортного средства (рис. **5**, стр. 6).

### 7.2 Прокладка кабелей



#### **ВНИМАНИЕ!** Риск повреждения

- Перед сверлении отверстий убедитесь в том, что имеется достаточно свободного пространства для выхода сверла.
- В результате неправильной прокладки и соединения кабелей возможны неполадки и повреждения деталей. Установите кабели и разъемы в соответствии с указаниями.
- Не подвергайте кабели воздействию растворителей, таких как бензол, в течение длительного периода времени.



#### **УКАЗАНИЕ**

Проложите кабели таким образом, чтобы до разъема между камерой и удлинительным кабелем было легко дотянуться.

Соблюдайте следующие указания:

- Для ввода соединительных кабелей используйте оригинальные вводы или другие сквозные отверстия, например, края обшивки, вентиляционные решетки или заглушки. Если сквозные отверстия отсутствуют, просверлите для кабелей подходящие отверстия.

- Проложите кабели внутри транспортного средства. Если кабель необходимо проложить снаружи автомобиля, то обеспечивайте надежное крепление кабеля (с помощью дополнительных кабельных стяжек, изолянта и т. п.).
  - Прокладывайте кабели на достаточном расстоянии от горячих и подвижных узлов автомобиля (выхлопных труб, приводных валов, генератора, нагревателей, вентиляторов и т. п.). Для механической защиты используйте гофрированные трубки или аналогичные защитные материалы.
  - Убедитесь, что кабели не перегнуты и не перекручены.
  - Следите за тем, чтобы кабели не терлись о края.
  - Следите за тем, чтобы кабели не прокладывались без защиты через вводы, имеющие острые края.
  - Надежно крепите кабели в автомобиле, чтобы предотвратить запутывание (опасность падения). Используйте кабельные зажимы, изолянту или приклейте кабели клеем.
- Проложите системные кабели.

### 7.3 Подключение камеры



#### УКАЗАНИЕ

Нанесите небольшое количество консистентной смазки, например, для контактов, на разъемы, чтобы предотвратить коррозию разъемов.

1. Проведите вилку фары стоп-сигнала через консоль.
2. Вставьте вилку фары стоп-сигнала в разъем фары (рис. **6**, стр. 6).
3. Присоедините камеру, как показано на рисунке (рис. **7**, стр. 7).



#### УКАЗАНИЕ

Подсоедините 2-жильный соединительный кабель (рис. **3 5**, стр. 5) к разъему питания напряжением 12 В, который подает питание только тогда, когда автомобиль припаркован. Согласно законодательству осветитель камеры не должен гореть во время движения. Точное подключение к транспортному средству зависит от конкретного транспортного средства. Соблюдайте указания производителя автомобиля.

Пояснения:

Поз. на рис. <b>7</b> , стр. 7	Наименование
1	6-контактный кабель для подключения модуля камеры заднего вида
2	Переходник Y-Adapter CAM
3	Монитор
4	Соединительный кабель передачи заднего хода
5	6-контактный разъем для подключения монитора
6	Разъем RCA для подключения монитора
7	Системный кабель
8	6-контактный кабель для подключения модуля камеры обзора ( <b>только</b> CAM35-2.0 TWIN)
9	Камера CAM35-2.0 REARE или CAM35-2.0 TWIN

Поз. на рис. <b>7</b> , стр. 7	Наименование
10	Кабель для подключения осветителя
bk	Черное соединение с массой
rd	Красное соединение 12 В <sup>+</sup>

## 7.4 Защита разъемов

- ▶ Уплотните присоединенные разъемы водоотталкивающей клейкой лентой, чтобы защитить их от попадания воды (рис. **8**, стр. 8).

## 7.5 Монтаж камеры (рис. **9**, стр. 8)



### УКАЗАНИЕ

Проложите кабели камеры в нижней части консоли до самого края так, чтобы кабели не были сжаты.

1. Установите фару стоп-сигнала в отверстие камеры.
2. Зафиксируйте камурк двумя крепежными винтами 6 x 25 мм.

## 8 Эксплуатация

После подключения камерой можно пользоваться через монитор.

Соблюдайте указания производителя камеры.

## 9 Очистка и уход



### ВНИМАНИЕ! Риск повреждения

Не используйте для очистки острые или твердые предметы, абразивные чистящие средства или отбеливатель.

- ▶ Периодически очищайте прибор мягкой, влажной тряпкой.
- ▶ Регулярно проверяйте кабели или провода, находящиеся под напряжением, на наличие повреждений изоляции, разрывов или незакрепленных соединений.

## 10 Устранение неисправностей

Неисправность	Возможные причины	Устранение
Камера не работает.	Камера подключена неправильно.	▶ Заново подключите камеру (см. гл. «Подключение камеры» на стр. 107).
	Неисправен соединительный кабель.	▶ Свяжитесь с официальным сервисным центром.
	Камера неисправна.	▶ Свяжитесь с официальным сервисным центром.
Изображение, генерируемое камерой, размытое или темное.	Камера загрязнена.	▶ Очистите камеру (см. гл. «Очистка и уход» на стр. 108).

## 11 Гарантия

Действителен установленный законом срок гарантии. Если продукт неисправен, обратитесь в торговую организацию или представительство изготовителя в вашей стране (см. [dometic.com/dealer](http://dometic.com/dealer)).

При обращении по вопросам ремонта или гарантийного обслуживания необходимо также предоставить следующую информацию:

- Копию счета с датой покупки
- Причину претензии или описание неисправности

Учтите, что самостоятельно выполненный или непрофессиональный ремонт могут иметь последствия для безопасности и привести к аннулированию гарантии.

## 12 Утилизация

### Переработка упаковочного материала




- ▶ По возможности, выкидывайте упаковочный материал в мусор, подлежащий вторичной переработке.

### Переработка изделий с батареями, аккумуляторами и источниками света



- ▶ Перед переработкой изделия нужно извлечь из него батареи, аккумуляторы и источники света.
- ▶ Неисправные аккумуляторы и разряженные батареи сдавайте в торговую организацию или в специальные сборные пункты.
- ▶ Аккумуляторы, батареи и источники света запрещается выбрасывать в бытовой мусор.
- ▶ Если вы окончательно выводите изделие из эксплуатации, получите информацию в ближайшем центре по вторичной переработке или в торговой сети о соответствующих предписаниях по утилизации.
- ▶ Изделие может быть утилизировано бесплатно.

**13 Технические характеристики**

	CAM35-2.0 REAR	CAM35-2.0 TWIN	
		REAR	FAR
Формирователь видеосигналов	1/2,9" CMOS		
Разрешение AHD CVBS	1280 (Г) X720 (В) 960 (Г) X576 (В)		
Стандарт (AHD и CVBS)	PAL		
Чувствительность	< 1 люкс		
Угол обзора AHD CVBS	Г: 122 ± 3° В: 94 ± 3° Г: 118 ± 3° В: 90 ± 3°	Г: 80 ± 3° В: 50 ± 3° Г: 80 ± 3° В: 44 ± 3°	
Рабочее напряжение Камера Индикатор:	6 – 16 В 9 – 16 В		
Потребляемая мощность AHD CVBS Индикатор:	< 1,68 Вт < 1,8 Вт < 3,24 Вт	< 2,52 Вт < 2,64 Вт < 3,24 Вт	
Рабочая температура	от -40 °С до 85 °С		
Класс защиты	IP69k		
Вибростойкость	ISO 16750-3:2023 4.1.9.2 (IEC 60068-2-64)		
Размеры (Ш x В x Г)	379,9 x 83,66 x 51,7 мм		
Вес	230 г	250 г	
Испытательные и сертификационные знаки			

Prosimy o uważne przeczytanie niniejszej instrukcji i przestrzeganie wszystkich zawartych w niej instrukcji postępowania, wskazówek i ostrzeżeń. Pozwoli to zapewnić, że produkt będzie zawsze prawidłowo instalowany, wykorzystywany i konserwowany. Niniejsza instrukcja MUSI przez cały czas pozostawać przy produkcie.

Korzystając z produktu, użytkownik potwierdza uważne przeczytanie wszelkich instrukcji, wskazówek i ostrzeżeń, ich zrozumienie oraz zobowiązuje się przestrzegać zawartych w nich warunków. Użytkownik zobowiązuje się wykorzystywać niniejszy produkt wyłącznie zgodnie z jego przeznaczeniem i zamierzonym zastosowaniem oraz z instrukcjami, wskazówkami i ostrzeżeniami wyszczególnionymi w niniejszej instrukcji produktu, jak również ze wszystkimi mającymi zastosowanie przepisami i regulacjami prawnymi. Nieprzestrzeganie zawartych tu instrukcji i ostrzeżeń może skutkować obrażeniami u użytkownika oraz osób trzecich, uszkodzeniem produktu lub też uszkodzeniem mienia w sąsiedztwie produktu. Zastrzega się możliwość wprowadzania zmian i aktualizacji niniejszej instrukcji produktu, wraz z instrukcjami, wskazówkami i ostrzeżeniami oraz powiązaną dokumentacją. Aktualne informacje dotyczące produktu można zawsze znaleźć na stronie [documents.dometic.com](http://documents.dometic.com).

## Spis treści

1	Objaśnienie symboli	111
2	Wskazówki bezpieczeństwa	112
3	W zestawie	113
4	Odbiorcy instrukcji	114
5	Użytkowanie zgodne z przeznaczeniem	114
6	Opis techniczny	114
7	Montaż	115
8	Eksploatacja	117
9	Czyszczenie i konserwacja	117
10	Usuwanie usterek	117
11	Gwarancja	117
12	Utylizacja	117
13	Dane techniczne	118

## 1 Objąśnienie symboli



### NIEBEZPIECZEŃSTWO!

**Wskazówka bezpieczeństwa:** Wskazuje niebezpieczną sytuację, która – jeśli się jej nie uniknie – prowadzi do śmierci lub poważnych obrażeń.



### OSTRZEŻENIE!

**Wskazówka bezpieczeństwa:** Wskazuje niebezpieczną sytuację, która – jeśli się jej nie uniknie – może prowadzić do śmierci lub poważnych obrażeń.



### OSTROŻNIE!

**Wskazówka bezpieczeństwa:** Wskazuje niebezpieczną sytuację, która – jeśli się jej nie uniknie – może prowadzić do lekkich lub umiarkowanych obrażeń.



### UWAGA!

Wskazuje sytuację, która – jeśli się jej nie uniknie – może prowadzić do powstania szkód materialnych.

## 2 Wskazówki bezpieczeństwa

**Stosować się do wskazówek dotyczących bezpieczeństwa i zaleceń producenta pojazdu oraz warsztatów serwisowych.**

**Konieczne jest stosowanie się do obowiązujących przepisów prawnych.**



**NIEBEZPIECZEŃSTWO! Nieprzestrzeganie tych ostrzeżeń prowadzi do śmierci lub ciężkich obrażeń.**

### Ryzyko wybuchu

- Zastosowanie kamery nie zwalnia kierowcy z obowiązku zachowania ostrożności podczas prowadzenia pojazdu.
- Kierowca pozostaje w pełni odpowiedzialny za prowadzenie pojazdu, wypełnianie swoich obowiązków w zakresie zapewnienia bezpieczeństwa w ruchu drogowym oraz przestrzeganie ustawowych przepisów o ruchu drogowym.



**OSTRZEŻENIE! Nieprzestrzeganie tych ostrzeżeń może prowadzić do śmierci lub ciężkich obrażeń.**

### Ryzyko obrażeń

- Dzieci od 8 lat i osoby o ograniczonych możliwościach fizycznych, sensorycznych lub intelektualnych oraz osoby niedysponujące stosowną wiedzą i doświadczeniem mogą używać tej kamery jedynie pod nadzorem innej osoby bądź pod warunkiem uzyskania informacji dotyczących bezpiecznego użytkowania urządzenia i zrozumienia wynikających z tego zagrożeń.
- Montowane części należy mocować w pojeździe tak, aby w żadnych warunkach nie mogło dojść do ich poluzowania (ostre hamowanie, wypadek komunikacyjny), a w konsekwencji, do obrażeń ciała pasażerów.
- Elementy należy zamontować poza zasięgiem aktywacji poduszki powietrznej. W przeciwnym wypadku w razie uruchomienia się poduszki powietrznej może dojść do obrażeń ciała.
- Niewłaściwe przyłączenie przewodów zasilających może doprowadzić do zwarcia, a w rezultacie do:
  - spalenia kabli,
  - aktywowania poduszki powietrznej,
  - uszkodzenia elektronicznych urządzeń sterowniczych,
  - usterek elektrycznych (kierunkowskazów, światła stop, klaksonu, zapłonu, światła).



**OSTROŻNIE! Nieprzestrzeganie tych uwag może prowadzić do lekkich lub umiarkowanych obrażeń.**

### Ryzyko obrażeń

- Części układu umieszczane pod osłoną należy mocować tak, aby w przyszłości nie mogło dojść do ich poluzowania lub uszkodzenia innych części i przewodów oraz nieprawidłowego działania innych funkcji (układ kierowniczy, pedały itd.).
- Zawsze trzeba się stosować do wskazówek bezpieczeństwa otrzymanych od producenta. Niektóre prace (np. przy urządzeniach przytrzymujących, takich jak poduszki powietrzne itp.) mogą wykonywać jedynie wykwalifikowani specjaliści.



### UWAGA!

#### Ryzyko uszkodzenia

- Przed rozpoczęciem wiercenia należy upewnić się, że po drugiej stronie jest wystarczająco dużo miejsca na wyjście wiertła. Pozwoli to uniknąć ewentualnych uszkodzeń.
- Należy wygładzić wywiercony otwór, a następnie zabezpieczyć środkiem antykorozyjnym.
- Podczas prac przy instalacji elektrycznej akumulatory muszą być odłączone od masy pojazdu. Dotyczy to akumulatorów głównych i dodatkowych.



- Podczas pracy z następującymi przewodami należy używać tylko izolowanych końcówek kablowych, wtyczek i płaskich tulejek wtykanych:
  - 30 (wejście bezpośrednie od bieguna dodatniego akumulatora)
  - 15 (załączony plus, za akumulatorem)
  - 31 (przewód powrotny od akumulatora, masa)
  - 58 (światło cofania)
- **Nie** wolno używać łączników świecznikowych.
- Do łączenia kabli należy używać szczypiec do zaciskania.
- Przewód 31 (masowy) należy przyłączyć poprzez przykręcenie.
  - Przykręcić przewód za pomocą końcówki kablowej i podkładki zabezpieczającej do jednej ze śrub masy pojazdu lub
  - Przykręcić przewód do blachy karoserii za pomocą końcówki kablowej i śruby do blachy.
 Upewnić się, że przyłączy do masy zapewnia odpowiednią przewodność.
- Odłączenie akumulatora spowoduje utratę wszystkich danych zapisanych we wszystkich pamięciach ulotnych. Może być konieczne ponowne ustawienie danych. W tym przypadku należy postępować zgodnie z instrukcjami producenta pojazdu. Wytyczne dotyczące wprowadzania tych ustawień można znaleźć w instrukcji obsługi.
- Do sprawdzania napięcia w przewodach elektrycznych należy używać tylko testera diodowego lub woltomierza. Lampki kontrolne z żarnikiem pobierają za dużo prądu, co może skutkować uszkodzeniem elektroniki pojazdu.
- Podczas wykonywania połączeń elektrycznych należy sprawdzić, czy przewody:
  - nie są załamane lub skręcone,
  - nie ocierają się o krawędzie,
  - nie są ułożone w otworach przelotowych o twardych krawędziach bez zabezpieczeń.
- Należy wykonać izolację wszystkich połączeń i przyłączy.
- Zabezpieczyć przewody przed naprężeniami mechanicznymi za pomocą opasek kablowych lub taśmy izolacyjnej, na przykład mocując je do obecnych już przewodów.
- Postępować zgodnie z instrukcją montażu i obsługi monitora.
- Nie otwierać kamery.
- Nie ciągnąć za przewody.
- Nie narażać kabli na długotrwałe działanie rozpuszczalników, takich jak benzen.
- Nie używać kamer pod wodą.
- Przewody należy instalować z dala od gorących lub ruchomych części pojazdu (rur wydechowych, wałów napędowych, świateł, dmuchaw, urządzeń grzewczych itp.).

### 3 W zestawie

**CAM35-2.0 REAR:** rys. **1**, strona 3

**CAM35-2.0 TWIN:** rys. **2**, strona 4

Poz.	Ilość	Opis	Nr art.
1	1	Kamera	
		CAM35-2.0 REAR	9620012436
		CAM35-2.0 TWIN	9620012438
2	1	Uszczelka	–
3	1	Adapter Y kamery	9600000552
4	1	Adapter nawigacji	9620012441

Poz.	Ilość	Opis	Nr art.
5	1	Przewód systemowy, 15 m	9600001662
-	1	Przewód przyłączeniowy oświetlenia, 1,5 m	-
-	2	Śruby mocujące 6 x 25 mm	-

## 4 Odbiórcy instrukcji



Przyłącze elektryczne musi zostać wykonane przez wykwalifikowanego elektryka, posiadającego poświadczoną kompetencje i wiedzę w zakresie budowy i obsługi urządzeń oraz instalacji elektrycznych, który przeszedł szkolenie w zakresie bezpieczeństwa, pozwalające na identyfikację i unikanie występujących zagrożeń.

## 5 Użytkowanie zgodne z przeznaczeniem

Kamera jest przeznaczona do użytkowania w pojazdach Fiat Ducato, Citroën Jumper i Peugeot Boxer od roku modelowego 2006, z pojedynczym dachem. Konsola kamery montowana jest między karoserią a światłem stopu. Można ją stosować w systemach wideo, w celu obserwacji obszaru wokół pojazdu z siedzenia kierowcy, np. podczas manewrowania lub parkowania.

Niniejszy produkt jest przystosowany wyłącznie do wykorzystywania zgodnie z jego przeznaczeniem oraz zamierzonym zastosowaniem według niniejszej instrukcji.

Niniejsza instrukcja zawiera informacje, które są niezbędne do prawidłowego montażu i/lub obsługi produktu. Nieprawidłowy montaż i/lub niewłaściwa obsługa lub konserwacja powodują niezadowalające działanie i mogą prowadzić do uszkodzeń.

Producent nie ponosi żadnej odpowiedzialności za ewentualne obrażenia lub uszkodzenia produktu wynikłe z następujących przyczyn:

- Nieprawidłowy montaż lub podłączenie, w tym zbyt wysokie napięcie
- Niewłaściwa konserwacja lub użycie innych części zamiennych niż oryginalne części zamienne dostarczone przez producenta
- Wprowadzanie zmian w produkcie bez wyraźnej zgody producenta
- Użytkowanie w celach innych niż opisane w niniejszej instrukcji obsługi

Firma Dometic zastrzega sobie prawo do zmiany wyglądu i specyfikacji produktu.

## 6 Opis techniczny

Moduł kamery cofania i moduł kamery dalekiego zasięgu (**tylko** CAM35 2.0 TWIN) są umieszczone w jednej konsoli dla oryginalnego światła stop. Obraz kamery jest przekazywany do monitora za pomocą kabla systemowego. Kamera nadaje się również do podłączenia do oryginalnego systemu nawigacji Unconnect w samochodach Fiat.

Kamera składa się z następujących elementów:

Poz. na rys. 3, strona 5	Opis
1	Moduł kamery cofania
2	Moduł kamery dalekiego zasięgu ( <b>tylko</b> CAM35-2.0 TWIN)
3	6-pinowy przewód przyłączeniowy dla modułu kamery dalekiego zasięgu ( <b>tylko</b> CAM35-2.0 TWIN)
4	6-pinowy kabel przyłączeniowy dla modułu kamery cofania

Poz. na rys. <b>3</b> , strona 5	Opis
5	2-żyłowy kabel przyłączeniowy dla oświetlenia kamery
6	Oświetlenie kamery

Kamera CAM35-2.0 jest wyposażona w adapter umożliwiający podłączenie jej do monitora z 6-pinowym złączem lub ze złączem RCA (wejściem A/V).

**Tylko CAM35-2.0 TWIN:** Elektroniczny układ przełączający umożliwia wykorzystywanie obydwu modułów kamer z tylko jednym wejściem A/V.

## 7 Montaż

### 7.1 Demontaż światła stopu

1. Wykręcić śruby światła stop (rys. **4**, strona 5).
2. Odłączyć światło stop od pojazdu (rys. **5**, strona 6).

### 7.2 Prowadzenie kabli



#### UWAGA! Ryzyko uszkodzenia

- Przed rozpoczęciem wiercenia otworów należy upewnić się, że po drugiej stronie ściany jest wystarczająco dużo miejsca na wylot wiertła.
- Nieprawidłowe ułożenie i połączenie przewodów prowadzi do wadliwego działania lub uszkodzenia części. Przewody i złącza należy instalować zgodnie z zaleceniami.
- Nie wystawiać przewodów na długotrwałe działanie rozpuszczalników, takich jak benzen.



#### WSKAZÓWKA

Przewody prowadzić w taki sposób, aby można było łatwo uzyskać dostęp do złącza pomiędzy kamerą a przewodem przedłużającym.

Przestrzegać poniższych instrukcji:

- Do przeprowadzania przewodów wykorzystywać obecne już w pojeździe kanały lub inne stosowne rozwiązania, jak np. krawędzie paneli, kratki wentylacyjne czy zaślepki. W przypadku braku otworów na przewody należy je wywiercić.
  - Przewody prowadzić we wnętrzu pojazdu. Jeśli występuje konieczność prowadzenia przewodu na zewnątrz pojazdu, należy pamiętać o jego odpowiednim zamocowaniu (zastosować dodatkowe opaski kablowe, taśmę izolacyjną itp.).
  - Należy zawsze zachowywać wystarczającą odległość przewodów od gorących i ruchomych części pojazdu (rur wydechowych, wałów napędowych, układów świateł, wentylatorów, nagrzewnic itp.). W celu zapewnienia ochrony mechanicznej należy zastosować rury osłonowe lub podobne materiały zabezpieczające.
  - Uważać, aby nie łałamywać ani nie skręcać przewodów.
  - Uważać, aby przewody nie ocierały się o krawędzie.
  - Nigdy nie prowadzić przewodów w kanałach o ostrych krawędziach bez dodatkowego zabezpieczenia.
  - Stabilnie zamocować kable w pojeździe, aby w eliminować ryzyko potknięcia się o nie. Do mocowania kabli stosować opaski kablowe, taśmę izolacyjną lub klej.
- Poprowadzić przewody systemowe.

### 7.3 Podłączanie kamery



#### WSKAZÓWKA

Aby zapobiec korozji wtyku, nanieść na niego niewielką ilość smaru – np. smaru do złączy elektrycznych.

1. Przeprowadzić wtyczkę światła stopu przez konsolę.
2. Z powrotem podłączyć wtyk światła stop do światła stop (rys. **6**, strona 6).
3. Podłączyć kamerę w zilustrowany sposób (rys. **7**, strona 7).



#### WSKAZÓWKA

2-żyłowy przewód przyłączeniowy (rys. **3** **5**, strona 5) może być przyłączony do zasilania 12 V **wyłącznie**, gdy pojazd jest zaparkowany. Przepisy prawa nie dopuszczają świecenia się oświetlenia kamery w trakcie jazdy. Dokładny sposób podłączania uzależniony jest od pojazdu. Stosować się do instrukcji producenta pojazdu.

Legenda:

Poz. na rys. <b>7</b> , strona 7	Opis
1	6-pinowy przewód przyłączeniowy dla kamery cofania
2	Adapter Y kamery
3	Monitor
4	Przewód przyłączeniowy biegu wstecznego
5	6-pinowy wtyk dla monitora
6	Wtyk RCA dla monitora
7	Kabel systemowy
8	6-pinowy przewód przyłączeniowy dla modułu kamery dalekiego zasięgu ( <b>tylko</b> CAM35-2.0 TWIN)
9	Kamera CAM35-2.0 REAR lub CAM35-2.0 TWIN
10	Przewód przyłączeniowy oświetlenia
bk	Czarny przewód masowy
rd	Czerwony przewód 12 V <sup>==</sup>

### 7.4 Zabezpieczanie wtyków

- ▶ Uszczelnąć podłączone wtyki wodoodporną taśmą klejącą, aby zabezpieczyć je przed wnikaniem wody (rys. **8**, strona 8).

### 7.5 Montaż kamery (rys. **9**, strona 8)



#### WSKAZÓWKA

Przewody kamery prowadzić w dolnej części konsoli aż do wycięć w taki sposób, aby uniknąć ich ścisnięcia.

1. Umieścić światło stop w otworze kamery.
2. Zamocować kamerę za pomocą dwóch śrub mocujących 6 x 25 mm.

## 8 Eksploatacja

Po podłączeniu kamery można z niej korzystać za pomocą monitora.

Stosować się do instrukcji producenta monitora.

## 9 Czyszczenie i konserwacja



### UWAGA! Ryzyko uszkodzenia

Do czyszczenia nie używać ostrych ani twardych przedmiotów, ściernych środków czyszczących ani wybielacza.

- ▶ Od czasu do czasu czyścić urządzenie miękką, wilgotną ściereczką.
- ▶ Regularnie sprawdzać kable i przewody elektryczne pod kątem uszkodzeń izolacji, pęknięć oraz poluzowanych przyłączy.

## 10 Usuwanie usterek

Usterka	Możliwa przyczyna	Czynność zaradcza
Kamera nie działa.	Kamera jest nieprawidłowo podłączona.	▶ Ponownie podłączyć kamerę (patrz rozdz. „Podłączanie kamery” na stronie 116).
	Jeden z przewodów przyłączeniowych jest uszkodzony.	▶ Skontaktować się z autoryzowanym centrum serwisowym.
	Kamera jest uszkodzona.	▶ Skontaktować się z autoryzowanym centrum serwisowym.
Obraz z kamery jest zamazany lub ciemny.	Kamera nie jest czysta.	▶ Wyczyścić kamerę (patrz rozdz. „Czyszczenie i konserwacja” na stronie 117).

## 11 Gwarancja

Obowiązuje ustawowy okres gwarancji. W przypadku stwierdzenia uszkodzenia produktu należy skontaktować się z jego sprzedawcą lub z oddziałem producenta w danym kraju (patrz [dometic.com/dealer](http://dometic.com/dealer)).

W celu naprawy lub realizacji gwarancji konieczne jest przesłanie wraz z produktem następujących dokumentów:

- Kopii rachunku z datą zakupu
- Informacji o przyczynie reklamacji lub opisu wady

Uwaga: Samodzielne lub nieprofesjonalne wykonywanie napraw może powodować zagrożenia oraz doprowadzić do utraty gwarancji.

## 12 Utylizacja

### Recykling materiałów opakowaniowych



- ▶ Opakowanie należy wyrzucić do odpowiedniego pojemnika na odpady do recyklingu.

**Recykling produktów zawierających baterie, akumulatory i źródła światła**

- ▶ Przed poddaniem produktu recyklingowi należy usunąć z niego wszelkie baterie, akumulatory i źródła światła.
- ▶ Uszkodzone akumulatory lub zużyte baterie należy przekazać do punktu sprzedaży lub odpowiedniego punktu zbiórki.
- ▶ Baterii, akumulatorów i źródeł światła nie należy wrzucać do pojemników na odpady komunalne.
- ▶ Jeśli produkt nie będzie już dalej wykorzystywany, należy dowiedzieć się w najbliższym zakładzie recyklingu lub od specjalistycznego przedstawiciela producenta, w jaki sposób można zutylizować produkt zgodnie z obowiązującymi przepisami.
- ▶ Produkt można zutylizować nieodpłatnie.

**13 Dane techniczne**

	CAM35-2.0 REAR	CAM35-2.0 TWIN	
		REAR	FAR
Czujnik obrazu	1/2,9" CMOS		
Liczba pikseli AHD CVBS	1280 (w poziomie) x 720 (w pionie) 960 (w poziomie) x 576 (w pionie)		
Standard wideo (AHD i CVBS)	PAL		
Czułość	< 1 luks		
Kąt świecenia AHD CVBS	H: 122 ± 3° V: 94 ± 3° H: 118 ± 3° V: 90 ± 3°	H: 80 ± 3° V: 50 ± 3° H: 80 ± 3° V: 44 ± 3°	
Napięcie robocze Kamera LED	6 – 16 V 9 – 16 V		
Zużycie energii AHD CVBS LED	< 1,68 W < 1,8 W < 3,24 W	< 2,52 W < 2,64 W < 3,24 W	
Temperatura robocza	-40°C do 85°C		
Stopień ochrony	IP69k		
Odporność na wibracje	ISO 16750-3:2023 4.1.9.2 (IEC 60068-2-64)		
Wymiary (szer. x wys. x gł.)	379,9 x 83,66 x maks. 51,7 mm		
Masa	230 g	250 g	
Oznaczenia badań i homologacji			

Dôkladne si prečítajte tento návod a dodržiavajte všetky pokyny, usmernenia a varovania uvedené v tomto návode k výrobku, aby sa zaručilo, že výrobok sa vždy bude správne inštalovať, používať a udržiavať. Tento návod **MUSÍ** zostať priložený k výrobku.

Použitím tohto výrobku týmto potvrdzujete, že ste si dôkladne prečítali všetky pokyny, usmernenia a varovania a že rozumiete a súhlasíte s dodržiavaním všetkých uvedených podmienok. Súhlasíte, že tento výrobok budete používať len v súlade so zamýšľaným použitím a v súlade s pokynmi, usmerneniami a varovaniami uvedenými v tomto návode k výrobku, ako aj v súlade so všetkými platnými zákonmi a nariadeniami. V prípade, že si neprečítate a nebudete sa riadiť pokynmi a varovaniami uvedenými v tomto návode, môže mať za následok vaše poranenie alebo poranenie iných osôb, poškodenie vášho výrobku alebo poškodenie majetku v jeho blízkosti. Tento návod k výrobku vrátane pokynov, usmernení a varovaní, a súvisiaca dokumentácia môže podliehať zmenám a aktualizáciám. Najaktuálnejšie informácie o výrobku nájdete na adrese [documents.domestic.com](http://documents.domestic.com).

## Obsah

1	Vysvetlenie symbolov	119
2	Bezpečnostné pokyny	120
3	Rozsah dodávky	121
4	Cieľové skupiny	122
5	Používanie v súlade s určením	122
6	Technický opis	122
7	Montáž	123
8	Obsluha	124
9	Čistenie a údržba	124
10	Odstraňovanie porúch	125
11	Záruka	125
12	Likvidácia	125
13	Technické údaje	126

## 1 Vysvetlenie symbolov



### NEBZPEČENSTVO!

**Bezpečnostný pokyn:** Označuje nebezpečnú situáciu, ktorej následkom je smrť alebo vážne zranenie, ak sa jej nezabráni.



### VÝSTRAHA!

**Bezpečnostný pokyn:** Označuje nebezpečnú situáciu, ktorej následkom môže byť smrť alebo vážne zranenie, ak sa jej nezabráni.



### UPOZORNENIE!

**Bezpečnostný pokyn:** Označuje nebezpečnú situáciu, ktorej následkom môže byť malé alebo stredne ťažké zranenie, ak sa jej nezabráni.



### POZOR!

Označuje situáciu, ktorej následkom môže byť poškodenie majetku, ak sa jej nezabráni.

## 2 Bezpečnostné pokyny

Rešpektujte bezpečnostné pokyny a podklady vydané výrobcom vozidla a autorizovanými servismi.

Rešpektujte platné zákonné predpisy.



**NEBEZPEČENSTVO! Nedodržanie týchto varovaní bude mať za následok smrť alebo vážne poranenie.**

### Nebezpečenstvo výbuchu

- Kamera nezbavuje vodiča povinnosti dávať pozor počas jazdy.
- Vodič je naďalej plne zodpovedný za vedenie vozidla, za plnenie povinností v oblasti bezpečnosti cestnej premávky a za dodržiavanie zákonných predpisov o bezpečnosti cestnej premávky.



**VÝSTRAHA! Nedodržanie týchto varovaní môže mať za následok smrť alebo vážne poranenie.**

### Nebezpečenstvo poranenia

- Tento kamerový systém smú používať deti od 8 rokov a osoby so zníženými psychickými, zmyslovými alebo mentálnymi schopnosťami a vedomosťami, keď sú pod dozorom alebo keď boli poučené o bezpečnom používaní zariadenia a chápu, aké riziká z toho vyplývajú.
- Upevnite časti namontované vo vozidle tak, aby sa za žiadnych okolností (prudké zabrzdzenie, dopravná nehoda) neuvoľnili a nemohli spôsobiť poranenia posádky vozidla.
- Časti asistenta nemontujte do vozidla tam, kde má dosah airbag. V opačnom prípade hrozí nebezpečenstvo úrazu pri aktivovaní airbagu.
- Nevhodné pripojenia napájacieho vedenia môžu mať za následok skraty, ktoré vedú k:
  - požiaru káblov,
  - aktivácii airbagu,
  - poškodeniu elektronických riadiacich zariadení,
  - elektrickým poruchám (smerové svetlo, brzdové svetlo, klaksón, zapaľovanie, svetlá).



**UPOZORNENIE! Nedodržanie týchto upozornení môže mať za následok ľahké alebo stredne ťažké poranenie.**

### Nebezpečenstvo poranenia

- Upevnite časti systému tak, že ich skryjete pod obloženie, a to tak, aby sa neuvoľnili alebo nepoškodili iné časti alebo iné vedenia a aby sa nepriaznivo neovplyvnili funkcie vozidla (riadenie, pedále atď.).
- Vždy dodržiavajte bezpečnostné upozornenia výrobcu vozidla. Niektoré práce (napr. na zadržiavacích systémoch ako airbag atď.) smie vykonávať len vyškolený odborný personál.



### POZOR!

#### Nebezpečenstvo poškodenia

- Pri vítaní dávajte pozor, aby mal vrták na výstupe dostatok priestoru, a predišlo sa tak poškodeniu.
- Odstráňte výronky z každého vyvrtaného otvoru a ošetrte ich antikoročným prostriedkom.
- Pri prácach na elektrickej sústave odpojte batérie od ukostrenia vozidla. To sa týka hlavne a prídavnej batérie.
- Pri prácach na nasledujúcich kábloch používajte len izolované káblové oká, zástrčky a ploché puzdrá zásuvky:
  - 30 (priamy vstup z kladného pólu batérie),
  - 15 (zopnutý kladný pól, za batériou),
  - 31 (spätný vodič od batérie, kostra),
  - 58 (cúvací reflektor).
- **Nepoužívajte** porcelánové káblové konektory.
- Na spojenie káblov použite krimpovacie kliešte.



- Priskrutkujte kábel pri zapájaní kábla 31 (zem).
  - Priskrutkujte kábel pomocou káblového oka a poistnej podložky k jednej z uzemňovacích skrutiek vozidla alebo
  - Priskrutkujte kábel k plechu karosérie s pomocou káblového oka a samoreznej skrutky.
 Postarajte sa o dobré spojenie na zem.
- Ak dôjde k odpojeniu batérie, všetky údaje uložené vo všetkých volatílnych pamätiach sa stratia. Údaje môže byť potrebné resetovať. V takom prípade postupujte podľa pokynov výrobcu vozidla. Pokyny na vykonanie týchto nastavení nájdete v návode na obsluhu.
- Na kontrolu napätia v elektrických vedeniach používajte len diódovú skúšačku alebo voltmeter. Skúšačky so žiarovkou používajú príliš veľké napätie, ktoré môže poškodiť elektronický systém vozidla.
- Pri realizácii elektrických pripojení dávajte pozor, aby:
  - neboli zauzlené ani skrútené,
  - na okrajoch nedochádzalo k treniu,
  - aby neboli uložené v ostrých priechodných otvoroch bez dostatočnej ochrany.
- Zaizolujte všetky spojenia a prípojky.
- Zaisťujte všetky káble pred mechanickým namáhaním s káblovými viazačmi alebo izolačnou páskou, napríklad k existujúcim káblom.
- Rieďte sa návodom na montáž a obsluhu monitora.
- Kameru neotvárajte.
- Neťahajte za káble.
- Káble nevystavujte dlhodobému pôsobeniu rozpúšťadiel, ako je benzén.
- Kamery nepoužívajte pod vodou.
- Káble inštalujte v dostatočnej vzdialenosti od horúcich alebo pohyblivých častí vozidla (výfukové potrubia, výfukové potrubia hnacích hriadeľov, hnacie hriadele, svetlá, dýchadlá, ohrievače atď.).

### 3 Rozsah dodávky

**CAM35-2.0 REAR:** obr. **1**, strane 3

**CAM35-2.0 TWIN:** obr. **2**, strane 4

Č.	Počet	Opis	Č. výr.
1	1	Kamera CAM35-2.0 REAR CAM35-2.0 TWIN	9620012436 9620012438
2	1	Tesnenie	–
3	1	Adaptér Y CAM	9600000552
4	1	Adaptér NAV	9620012441
5	1	Systémový kábel 15 m	9600001662
–	1	Pripájací kábel svetla 1,5 m	–
–	2	Upevňovacie skrutky 6 × 25 mm	–

## 4 Cieľové skupiny



Elektrické napájanie musí byť pripojené kvalifikovaným elektrikárom, ktorý preukázal zručnosti a znalosti týkajúce sa konštrukcie a prevádzky elektrických zariadení a inštalácií a absolvoval bezpečnostné školenie na identifikáciu a predchádzanie príslušným nebezpečenstvám.

## 5 Používanie v súlade s určením

Kamera je určená na použitie vo vozidlách Fiat Ducato, Citroën Jumper, Peugeot Boxer od modelového roku 2006 s jednoduchou strechou. Konzola kamery sa montuje medzi karosériu a brzdové svetlo. Dá sa použiť vo video systémoch, ktoré slúžia na pozorovanie priestoru za vozidlom zo sedadla vodiča, pri posunovaní alebo parkovaní.

Tento výrobok je vhodný iba na zamýšľané použitie a použitie v súlade s týmto návodom.

Tento návod obsahuje informácie, ktoré sú nevyhnutné pre správnu inštaláciu a/alebo obsluhu výrobku. Chybná inštalácia a/alebo nesprávna obsluha či údržba bude mať za následok neuspokojivý výkon a možnú poruchu.

Výrobca nenesie žiadnu zodpovednosť za akékoľvek poranenia či škody na výrobku spôsobené:

- nesprávnou montážou alebo pripojením vrátane nadmerného napätia
- nesprávnou údržbou alebo použitím iných ako originálnych náhradných dielov poskytnutých výrobcom
- zmeny produktu bez výslovného povolenia výrobcu
- použitie na iné účely než na účely opísané v návode

Firma Dometic si vyhradzuje právo na zmenu vzhľadu a technických parametrov výrobku.

## 6 Technický opis

Modul cúvacej kamery a modul výhľadovej kamery (**iba** CAM35 2.0 TWIN) sú namontované v konzole pre originálne brzdové svetlo. Kamerový obraz je cez systémový kábel prenášaný na monitor. Kamera je tiež vhodná na pripojenie k navigačnému systému Fiat Uconnect.

Kamera pozostáva z nasledovných prvkov:

Č. na obr. <b>3</b> , strane 5	Opis
1	Modul cúvacej kamery
2	Modul výhľadovej kamery ( <b>iba</b> CAM35-2.0 TWIN)
3	6-pólový prípojný kábel pre modul výhľadovej kamery ( <b>iba</b> CAM35-2.0 TWIN)
4	6-pólový pripájací kábel pre modul cúvacej kamery
5	2-jadrový pripájací kábel pre svetlo kamery
6	Svetlo kamery

CAM35-2.0 je vybavená s adaptérom, ktorý umožňuje pripojenie k monitoru je 6-pólovým konektorom a monitoru s RCA konektorom (A/V vstup).

**iba CAM35-2.0 TWIN:** Prepínacia elektronika kamery umožňuje, aby oba moduly kamery boli v prevádzke iba cez jeden A/V vstup.

## 7 Montáž

### 7.1 Demontáž brzdového svetla

1. Odoberte skrutky brzdového svetla (obr. **4**, strane 5).
2. Odpojte brzdové svetlo od vozidla (obr. **5**, strane 6).

### 7.2 Pokladanie káblov



#### POZOR! Nebezpečenstvo poškodenia

- Pred vŕtaním otvorov skontrolujte, či je na opačnej strane steny dostatok voľného priestoru pre výstup vrtáka.
- Neodborné uloženie kábla a káblových spojení vedie k chybnnej činnosti alebo poškodeniu konštrukčných dielcov. Namontujte káble a konektory tak, ako je špecifikované.
- Dlhodobo nevystavujte káble rozpúšťadlám, ako napríklad benzén.



#### POZNÁMKA

Uložte káble tak, aby bolo možné ľahko dosiahnuť na konektor medzi kamerom a predlžovacím káblom.

Dodržiavajte nasledujúce pokyny:

- Na polozenie káblov použite originálne priechodky alebo iné vhodné možnosti, ako napr. okraje obloženia, vetracie mriežky alebo slepé zástrčky. Ak nie sú k dispozícii žiadne otvory, vyvŕtajte otvory na káble.
  - Uložte káble vnútri vozidla. Ak je potrebné uložiť káble mimo vozidla, dbajte na ich bezpečné upevnenie (použite dodatočné viazače káblov, izolačnú pásku atď.).
  - Postarajte sa, aby káble boli v dostatočnej vzdialenosti od horúcich a pohyblivých častí vozidla (výfukové vedenia, hnacie hriadele, alternátor, ventilátor, kúrenie atď.). Na ochranu pred mechanickým opotrebením použite rebrové rúrky alebo iné ochranné materiály.
  - Postarajte sa, aby káble neboli zalomené alebo skrútené.
  - Postarajte sa, aby sa káble neodierali o hrany.
  - Postarajte sa, aby káble neboli uložené v ostrých priechodkách bez dostatočnej ochrany.
  - Káble vo vozidle bezpečne pripevnite, aby sa zabránilo riziku zakopnutia. Použite kábové viazače, izolačné pásy, prípadne káble prilepte s lepidlami na dané miesto.
- Položte systémové káble.

### 7.3 Pripojenie kamery



#### POZNÁMKA

Naneste malé množstvo maziva, ako napríklad mazivo na kolíky, na konektory, aby sa predišlo korózii v konektore.

1. Vedzte konektor brzdového svetla cez konzolu.
2. Konektor brzdového svetla opäť pripojte k brzdovému svetlu (obr. **6**, strane 6).
3. Pripojte kameru podľa obrázku (obr. **7**, strane 7).



#### POZNÁMKA

Pripojte 2-jadrový pripájací kábel (obr. **3**, **5**, strane 5) k 12 V svorke, ktorá dodáva prúd, **iba** keď je vozidlo zaparkované. Svetlo kamery nesmie podľa zákona svietiť počas jazdy. Presné pripojenie k vozidlu závisí od vozidla. Dodržiavajte pokyny výrobcu vozidla.

Legenda:

Č. na obr. <b>7</b> , strane 7	Opis
1	6-pólový pripájací kábel pre modul cúvacej kamery
2	Adaptér Y CAM
3	Monitor
4	Pripájací kábel spiatocky
5	6-pólový konektor pre monitor
6	RCA konektor pre monitor
7	Systémový kábel
8	6-pólový prípojný kábel pre modul výhľadovej kamery ( <b>iba</b> CAM35-2.0 TWIN)
9	Kamera CAM35-2.0 REARE alebo CAM35-2.0 TWIN
10	Pripájací kábel svetla
bk	Čierne uzemňovacie pripojenie
rd	Červené 12 V <sup>==</sup> pripojenie

#### 7.4 Ochrana konektorov

- Utesnite pripojené konektory s vodoodpudivou lepiacou páskou, ktorá ich ochráni pred vniknutím vody (obr. **8**, strane 8).

#### 7.5 Montáž kamery (obr. **9**, strane 8)



##### POZNÁMKA

Veďte káble kamery spodnou stranou konzoly až k výsekom, tak aby nedošlo k stlačeniu káblov.

1. Vložte brzdivé svetlo do otvoru kamery.
2. Kameru upevnite pomocou dvoch upevňovacích skrutiek 6 × 25 mm.

### 8 Obsluha

Po pripojení je kameru možné používať prostredníctvom monitora.

Dodržiavajte pokyny výrobcu monitora.

### 9 Čistenie a údržba



##### POZOR! Nebezpečenstvo poškodenia

Na čistenie nepoužívajte ostré ani tvrdé predmety, abrazívne čistiace prostriedky alebo bielicidlo.

- Kameru príležitostne vyčistite mäkkou, navlhčenou utierkou.
- Pravidelne kontrolujte živé káble alebo vodiče na porušenie izoláciu, zlomenia alebo uvoľnené spoje.

## 10 Odstraňovanie porúch

Porucha	Možná príčina	Náprava
Kamera nefunguje.	Kamera je nesprávne pripojená.	➤ Znovu pripojte kameru (pozri kap. „Pripojenie kamery“ na strane 123).
	Pripájací kábel je chybný.	➤ Kontaktujte autorizovaného servisného technika.
	Kamera je poškodená.	➤ Kontaktujte autorizovaného servisného technika.
Kamerou vygenerovaný obraz je rozmazaný alebo tmavý.	Kamera nie je čistá.	➤ Očistite kameru (pozri kap. „Čistenie a údržba“ na strane 124).

## 11 Záruka

Platí zákonom stanovená záručná lehota. Ak je výrobok poškodený, obráťte sa na svojho predajcu alebo pobočku výrobcu vo svojej krajine (pozri [dometic.com/dealer](http://dometic.com/dealer)).

Ak žiadate o vybavenie opravy alebo nárokov vyplývajúcich zo záruky, k zaslanému produktu musíte priložiť nasledujúce dokumenty:

- Kópiu faktúry s dátumom kúpy,
- Dôvod reklamácie alebo opis chyby.

Upozorňujeme Vás, že samooprava alebo neodborná oprava môže mať za následok ohrozenie bezpečnosti a zánik záruky.

## 12 Likvidácia

### Recyklácia obalového materiálu




- Obalový materiál dávajte podľa možnosti do príslušného recyklovateľného odpadu.

### Recyklácia výrobkov s batériami, nabíjateľnými batériami a svetelnými zdrojmi



- Pred recykláciou výrobku vyberte všetky batérie, nabíjateľné batérie a svetelné zdroje.
- Vaše poškodené akumulátory alebo prázdne batérie odovzdajte u predajcu alebo v zbernom mieste.
- Batérie, nabíjateľné batérie ani svetelné zdroje nevyhadzujte do domového odpadu.
- Keď výrobok chcete definitívne vyradiť z prevádzky, informujte sa v najbližšom recyklačnom stredu alebo u svojho špecializovaného predajcu o príslušných predpisoch týkajúcich sa likvidácie.
- Výrobok je možné bezplatne zlikvidovať.

**13 Technické údaje**

	CAM35-2.0 REAR	CAM35-2.0 TWIN	
		REAR	FAR
Snímač obrazu	1/2,9 palca CMOS		
Pixely AHD CVBS	1280 (V) × 720 (Š) 960 (V) × 576 (Š)		
Video štandard (AHD a CVBS)	PAL		
Citlivosť	< 1 lux		
Uhol pohľadu AHD CVBS	H: 122 ± 3° V: 94 ± 3° H: 118 ± 3° V: 90 ± 3°		H: 80 ± 3° V: 50 ± 3° H: 80 ± 3° V: 44 ± 3°
Prevádzkové napätie Kamera LED:	6 – 16 V 9 – 16 V		
Spotreba AHD CVBS LED:	< 1,68 W < 1,8 W < 3,24 W	< 2,52 W < 2,64 W < 3,24 W	
Prevádzková teplota	-40 °C až 85 °C		
Krytie	IP69k		
Odolnosť voči vibráciám	ISO 16750-3:2023 4.1.9.2 (IEC 60068-2-64)		
Rozmery (Š × V × H)	379,9 × 83,66 × 51,7 mm		
Hmotnosť	230 g	250 g	
Skúšobné a certifikačné značky			

Pečlivě si prosím přečtěte a dodržujte všechny pokyny, směrnice a varování obsažené v tomto návodu k výrobku, abyste měli jistotu, že výrobek budete vždy správně instalovat, používat a udržívat. Tyto pokyny MUSÍ být uchovávány v blízkosti výrobku.

Používáním výrobku tímto potvrzujete, že jste si pečlivě přečetli všechny pokyny, směrnice a varování a že rozumíte podmínkám uvedeným v tomto dokumentu a souhlasíte s nimi. Souhlasíte s používáním tohoto výrobku pouze k určenému účelu a v souladu s pokyny, směrnicemi a varováními uvedenými v tomto návodu k výrobku a v souladu se všemi příslušnými zákony a předpisy. Pokud si nepřečtete a nebudete dodržovat zde uvedené pokyny a varování, může to vést ke zranění vás i ostatních, poškození vašeho výrobku nebo poškození jiného majetku v okolí. Tento návod k výrobku, včetně pokynů, směrnic a varování a související dokumentace může být předmětem změn a aktualizací. Aktuální informace o výrobku naleznete na [documents.dometic.com](http://documents.dometic.com).

## Obsah

1	Vysvětlení symbolů .....	127
2	Bezpečnostní pokyny .....	128
3	Obsah dodávky .....	129
4	Cílové skupiny .....	130
5	Použití v souladu s účelem .....	130
6	Technický popis .....	130
7	Montáž .....	131
8	Obsluha .....	132
9	Čištění a péče .....	132
10	Odstraňování poruch a závad .....	133
11	Záruka .....	133
12	Likvidace .....	133
13	Technické údaje .....	134

## 1 Vysvětlení symbolů



### NEBEZPEČÍ!

**Bezpečnostní pokyn:** Označuje nebezpečnou situaci, která, pokud se jí nezabrání, bude mít za následek smrt nebo vážné zranění.



### VÝSTRAHA!

**Bezpečnostní pokyn:** Označuje nebezpečnou situaci, která, pokud se jí nezabrání, může mít za následek smrt nebo vážné zranění.



### UPOZORNĚNÍ!

**Bezpečnostní pokyn:** Označuje nebezpečnou situaci, která, pokud se jí nezabrání, může mít za následek lehké nebo středně těžké zranění.



### POZOR!

Označuje nebezpečnou situaci, která, pokud se jí nezabrání, může mít za následek majetkové škody.

## 2 Bezpečnostní pokyny

**Dodržujte předepsané bezpečnostní pokyny a předpisy výrobce vozidla a servisů.**

**Dodržujte platné legislativní předpisy.**



**NEBEZPEČÍ! Nedodržení těchto varování bude mít za následek smrt nebo vážné zranění. Nebezpečí výbuchu**

- Kamera nezbavuje řidiče povinnosti věnovat pozornost řízení.
- Řidič je i nadále plně odpovědný za řízení vozidla, za plnění povinností v oblasti bezpečnosti silničního provozu a za dodržování zákonných požadavků na bezpečnost silničního provozu.



**VÝSTRAHA! Nedodržení těchto varování může mít za následek smrt nebo vážné zranění. Riziko zranění**

- Tuto kameru mohou používat děti od 8 let a osoby se sníženými fyzickými, smyslovými nebo duševními schopnostmi nebo s nedostatečnými zkušenostmi a znalostmi, pokud jsou pod dohledem nebo obdržely pokyny týkající se používání zařízení bezpečným způsobem a porozuměly souvisejícím nebezpečím.
- Upevněte součásti namontované ve vozidle tak, aby se nemohly za žádných okolností uvolnit (náhlé brzdění, nehoda) a způsobit úrazy posádky vozidla.
- Neinstalujte součásti uvnitř vozidla do blízkosti airbagu. To by mohlo vést ke zranění při vystřelení airbagu.
- Nevhodná připojení přírodních vedení mohou způsobit zkrat s těmito následky:
  - Vznik požáru kabelů
  - Uvolnění airbagů
  - Poškození elektronických řídicích zařízení
  - Elektrické poruchy (směrovky, brzdová světla, klakson, zapalování, světlomety).



**UPOZORNĚNÍ! Nedodržení těchto upozornění může mít za následek lehké nebo středně těžké zranění. Riziko zranění**

- Upevněte součásti systému, které jsou instalovány pod kryty, tak, aby se neuvolnily nebo aby nepoškodily jiné součásti a rozvody a aby nemohly narušovat žádné systémy vozidla (řízení, pedály apod.).
- Vždy dodržujte bezpečnostní pokyny výrobce vozidla. Některé činnosti (např. na zádržných systémech, jako je airbag apod.) smí provádět pouze školený specializovaný personál.



**POZOR! Nebezpečí poškození**

- Při vrtání se vždy ujistěte, že je na druhé straně dostatek volného prostoru, aby při průniku vrtáku ven nedošlo k nějaké škodě.
- Každý otvor odjehlete a ošetřete jej antikoročním prostředkem.
- Při práci na elektrickém systému musí být baterie odděleny od kostry vozidla. To platí pro hlavní a dodatečné baterie.
- Při práci na následujících vodičích používejte pouze izolované kabelové koncovky, zástrčky a ploché dutinky:
  - 30 (přímý vstup z kladného pólu baterie)
  - 15 (spínaný pól plus, za baterií)
  - 31 (vedení od baterie, kostra)
  - 58 (světlo zpátečky)
- Nepoužívejte **žádné** lámací svorkovnice (tzv. „čokoláda“).
- Používejte ke spojování kabelů lisovací kleště.



- Přišroubujte kabel při připojování kabelu 31 (ukostření).
  - Přišroubujte kabel pomocí kabelového oka a pojistné podložky k jednomu z uzemňovacích šroubů vozidla nebo
  - Zašroubujte kabel k plechové karoserii pomocí kabelového oka a samořezného šroubu. Zajistěte dobré spojení s kostrou (uzemnění).
- Pokud dojde k odpojení baterie, ztratí se všechna data uložená ve všech nestálých pamětech. Data mohou být resetována. V takovém případě postupujte podle pokynů výrobce vozidla. Pokyny k těmto nastavením naleznete v návodu k obsluze.
- Při zkoušení napětí v elektrických kabelech použijte pouze diodovou zkoušečku nebo voltmetr. Zkoušečky se žárovkou využívají příliš velké napětí, které může poškodit elektronický systém vozidla.
- Při instalaci elektrických přípojek zajistěte následující:
  - k lámání nebo kroucení kabelů,
  - ke dření kabelů o rohy a hrany,
  - Kabely nesmějí být bez ochrany instalovány v průchodkách s ostrými hranami.
- Izolujte všechny spoje a přípojky.
- Kabely zajistěte proti mechanickému namáhání vázacími páskami na kabely nebo izolační páskou, například upevněním ke stávajícím rozvodům.
- Dodržujte návod k montáži a obsluze monitoru.
- Neotevírejte kameru.
- Netahejte za kabely.
- Nevystavujte kabely dlouhodobému působení rozpouštědel, jako je benzen.
- Nepoužívejte kamery pod vodou.
- Kabely instalujte v dostatečné vzdálenosti od horkých nebo pohyblivých částí vozidla (výfukové potrubí, hnací hřídele, světla, dmychadla, topení atd.).

### 3 Obsah dodávky

**CAM35-2.0 REAR:** obr. **1**, strana 3

**CAM35-2.0 TWIN:** obr. **2**, strana 4

Č.	Množství	Popis	Ref. č.
1	1	Kamera CAM35-2.0 REAR CAM35-2.0 TWIN	9620012436 9620012438
2	1	těsnění	–
3	1	Y-adaptér CAM	9600000552
4	1	Adaptér NAV	9620012441
5	1	Systémový kabel 15 m	9600001662
–	1	Připojovací kabel světla 1,5 m	–
–	2	Upevňovací šrouby 6 x 25 mm	–

## 4 Cílové skupiny



Elektrické napájení musí být připojeno kvalifikovaným elektrikářem, který prokázal dovednosti a znalosti týkající se konstrukce a provozu elektrických zařízení a elektroinstalací a absolvoval bezpečnostní školení, aby byl schopen určit související nebezpečí a zamezit jim.

## 5 Použití v souladu s účelem

Kamera je určena k použití ve vozidlech Fiat Ducato, Citroën Jumper, Peugeot Boxer od modelového roku 2006 s jednoduchou střechou. Konzola kamery se namontuje mezi karoserii a brzdové světlo. Lze ji použít ve videosystémech ke sledování prostoru za vozidlem z místa řidiče při manévrování nebo parkování.

Tento výrobek je vhodný pouze k určenému účelu a použití v souladu s tímto návodem.

Tento návod poskytuje informace, které jsou nezbytné pro řádnou instalaci a/nebo provoz výrobku. Nedostatečná instalace a/nebo nesprávný provoz či údržba povedou k neuspokojivému výkonu a možné závadě.

Výrobce nepřijímá žádnou odpovědnost za jakékoli zranění nebo poškození výrobku vyplývající z následujícího:

- Nesprávné sestavení nebo připojení včetně nadměrného napětí
- Nesprávná údržba nebo použití jiných náhradních dílů než původních dílů dodaných výrobcem
- Změna výrobku bez výslovného souhlasu výrobce
- Použití k jiným účelům, než jsou popsány v tomto návodu

Společnost Dometic si vyhrazuje právo změnit vzhled a specifikace výrobku.

## 6 Technický popis

Modul couvací kamery a modul kamery pro výhled do dálky (**pouze** CAM35 2.0 TWIN) se nachází v jedné konzole pro originální brzdové světlo. Obraz kamery je přenášen přes systémový kabel na monitor. Kamera rovněž umožňuje připojení k navigačnímu systému Fiat Uconnect.

Kameru tvoří následující prvky:

Č. na obr. 3, strana 5	Popis
1	Modul couvací kamery
2	Modul kamery pro výhled do dálky ( <b>pouze</b> CAM35-2.0 TWIN)
3	Šestipólový připojovací kabel pro modul kamery pro výhled do dálky ( <b>pouze</b> CAM35-2.0 TWIN)
4	Šestipólový připojovací kabel pro modul couvací kamery
5	Dvoužilový připojovací kabel pro světlo kamery
6	Světlo kamery

Model CAM35-2.0 je vybaven adaptérem, který umožňuje připojení k monitoru se šestipinovým konektorem a k monitoru s konektorem RCA (A/V vstupem).

**Pouze CAM35-2.0 TWIN:** Elektronika přepínání kamer umožňuje ovládat oba kamerové moduly prostřednictvím jediného A/V vstupu.

## 7 Montáž

### 7.1 Demontáž brzdového světla

1. Odstraňte šrouby brzdového světla (obr. **4**, strana 5).
2. Odpojte brzdové světlo od vozidla (obr. **5**, strana 6).

### 7.2 Instalace kabelů



#### POZOR! Nebezpečí poškození

- Před vyvrtáním otvorů zkontrolujte, zda je na druhé straně materiálu dostatek volného prostoru pro pronikající vrták.
- Nesprávná instalace kabelů a kabelových spojů vede vždy k závadám nebo poškození součástí. Nainstalujte kabely a konektory podle pokynů.
- Nevystavujte kabely dlouhodobému působení rozpouštědel, jako je benzen.



#### POZNÁMKA

Kabely ved'te tak, aby byl konektor mezi kamerou a prodlužovacím kabelem snadno přístupný.

Dodržujte následující pokyny:

- Při instalaci přívodních kabelů využívejte originální průchodky nebo jiné vhodné možnosti vedení, např. okraje obložení, ventilační mřížky nebo záslepky. Pokud nejsou dostupné žádné otvory pro protažení kabelů, bude je třeba vyvrtat.
  - Kabely ved'te uvnitř vozidla. Pokud je třeba vést kabel zvenčí vozidla, dbejte na jeho bezpečné upevnění (použitím dalších vázacích pásek na kabely, izolační pásky apod.).
  - Zajistěte, aby byly kabely dostatečně daleko od horkých nebo pohyblivých součástí vozidla (výfukového potrubí, hnací hřídele, osvětlovacích systémů, ventilátorů, topení atd.). Z důvodu mechanické ochrany použijte chráničky nebo jiné podobné ochranné materiály.
  - Ujistěte se, že kabely nejsou zalomené nebo zkroucené.
  - Dbejte na to, aby se kabely neděly o hrany.
  - Zajistěte, aby kabely neprocházely bez ochrany instalačním kanály s ostrými hranami.
  - Upevněte kabely ve vozidle bezpečně, abyste zabránili zachycení za kabely (nebezpečí pádu). Použijte vázací pásky na kabely, izolační pásku nebo kabely přilepte na požadované místo lepidlem.
- Instalujte systémové kabely.

### 7.3 Připojení kamery



#### POZNÁMKA

Na zástrčky naneste trochu maziva, např. mazacího tuku na póly, abyste předešli korozi.

1. Zástrčku brzdového světla prostrčte konzolou.
2. Zástrčku brzdového světla opět připojte k brzdovému světlu (obr. **6**, strana 6).
3. Kameru zapojte dle vyobrazení (obr. **7**, strana 7).



#### POZNÁMKA

Připojte dvoužilový připojovací kabel (obr. **3**, **5**, strana 5) k napájecí svorce 12 V, která je napájena **pouze** při zaparkovaném vozidle. Podle předpisů se světlo kamery nesmí rozsvítit za jízdy. Přesné provedení připojení k vozidlu závisí na daném vozidle. Řiďte se pokyny výrobce vozidla.

Legenda:

Č. na obr. <b>7</b> , strana 7	Popis
1	Šestipólový připojovací kabel pro modul couvací kamery
2	Y-adaptér CAM
3	Monitor
4	Připojovací kabel signálu zpátečky
5	Šestipólová zástrčka do monitoru
6	RCA zástrčka do monitoru
7	Systémový kabel
8	Šestipólový připojovací kabel k modulu kamery pro výhled do dálky ( <b>pouze</b> CAM35-2.0 TWIN)
9	Kamera CAM35-2.0 REAR nebo CAM35-2.0 TWIN
10	Připojovací kabel světla
bk	černá zemní přípojka
rd	červená 12V přípojka

## 7.4 Ochrana zástrček

- ▶ Připojené zástrčky utěsněte vodoodpudivou lepicí páskou, abyste je ochránili před vniknutím vody (obr. **8**, strana 8).

## 7.5 Montáž kamery (obr. **9**, strana 8)



### POZNÁMKA

Kabely kamery ve spodní části konzoly protáhněte až k výřezům tak, aby nedošlo k jejich přiskřípnutí.

1. Do otvoru pro kameru umístěte brzdové světlo.
2. Kameru připevněte dvěma upevňovacími šrouby 6 x 25 mm.

## 8 Obsluha

Po připojení lze kameru používat prostřednictvím monitoru.

Řiďte se pokyny výrobce monitoru.

## 9 Čištění a péče



### POZOR! Nebezpečí poškození

K čištění nepoužívejte ostré nebo tvrdé předměty, abrazivní čisticí prostředky ani bělidla.

- ▶ Příležitostně přístroj vyčistěte měkkou zvlhčenou utěrkou.
- ▶ Pravidelně kontrolujte kabely nebo vodiče pod napětím, zda u nich není patrné poškození izolace, nejsou naložené nebo se neuvolnily jejich připojení.

## 10 Odstraňování poruch a závad

Porucha	Možná příčina	Náprava
Kamera nefunguje.	Kamera není správně zapojena.	➤ Kameru znovu připojte (viz kap. „Připojení kamery“ na strani 131.)
	Připojovací kabel je vadný.	➤ Kontaktujte autorizovaného zástupce servisu.
	Kamera je vadná.	➤ Kontaktujte autorizovaného zástupce servisu.
Obraz přenášený z kamery je rozmazaný nebo tmavý.	Kamera není čistá.	➤ Očistěte kameru (viz kap. „Čištění a péče“ na strani 132.)

## 11 Záruka

Na výrobek je poskytována záruka v souladu s platnými zákony. Pokud je výrobek vadný, obraťte se na svého prodejce nebo na pobočku výrobce ve vaší zemi (viz [dometic.com/dealer](http://dometic.com/dealer)).

K vyřízení opravy a záruky nezapomeňte spolu s výrobkem odeslat následující dokumenty:

- Kopii účtenky s datem zakoupení,
- Uvedení důvodu reklamace nebo popis vady.

Upozorňujeme, že oprava svépomocí nebo neodborná oprava může ohrozit bezpečnost a vést ke ztrátě záruky.

## 12 Likvidace

### Recyklace obalového materiálu




- Obalový materiál likvidujte v odpadu určeném k recyklaci.

### Recyklace výrobků s bateriemi, dobíjecími bateriemi a světelnými zdroji



- Před recyklací výrobku vyjměte všechny baterie, dobíjecí baterie a světelné zdroje.
- Vadné nebo použité baterie vraťte svému prodejci nebo je zlikvidujte ve sběrném dvoře.
- Nevhazujte baterie, dobíjecí baterie a světelné zdroje do běžného domovního odpadu.
- Pokud budete chtít výrobek definitivně zlikvidovat, informace o příslušném postupu v souladu s platnými předpisy pro likvidaci vám sdělí místní recyklační středisko nebo specializovaný prodejce.
- Výrobek lze bezplatně zlikvidovat.

## 13 Technické údaje

	CAM35-2.0 REAR	CAM35-2.0 TWIN	
		REAR	FAR
Obrazový senzor	1/2,9" CMOS		
Obrazové body AHD CVBS	1280 (H) X720 (V) 960 (H) X576 (V)		
Standard videa (AHD a CVBS)	PAL		
Citlivost	< 1 lux		
Úhel pohledu AHD CVBS	H: 122 ± 3° V: 94 ± 3° H: 118 ± 3° V: 90 ± 3°		H: 80 ± 3° V: 50 ± 3° H: 80 ± 3° V: 44 ± 3°
Provozní napětí Kamera LED:	6 – 16 V 9 – 16 V		
Spotřeba AHD CVBS LED:	< 1,68 W < 1,8 W < 3,24 W	< 2,52 W < 2,64 W < 3,24 W	
Provozní teplota	-40 °C až 85 °C		
Stupeň krytí	IP69k		
Odolnost proti vibra- cím	ISO 16750-3:2023 4.1.9.2 (IEC 60068-2-64)		
Rozměry (Š x V x H)	379,9 × 83,66 × 51,7 mm		
Hmotnost	230 g	250 g	
Zkušební a certifikační značky			

A termék mindenkor szakszerű telepítése, használata és karbantartása érdekében kérjük figyelmesen olvassa el az ebben a termék kézikönyvben található utasításokat, irányelveket és figyelmeztetéseket, valamint mindig tartsa be ezeket. Ezt az útmutatót a termék közelében KELL tartani.

A termék használatba vételével Ön kijelenti hogy figyelmesen elolvasta az összes utasítást, irányelvet és figyelmeztetést, valamint megértette és elfogadja az itt leírt szerződési feltételeket. Ön elfogadja, hogy kizárólag a rendeltetésének megfelelő célra és a jelen termék kézikönyvben leírt útmutatásoknak, irányelveknek és figyelmeztetéseknek, valamint a hatályos törvényeknek és szabályozásoknak megfelelően használja ezt a terméket. Az itt leírt utasítások és figyelmeztetések elolvasásának és betartásának elmulasztása saját és mások sérüléséhez, a termék vagy a közelben található más anyagi javak károsodásához vezethet. Ez a termék kézikönyv és a benne található utasítások, irányelvek és figyelmeztetések, valamint a kapcsolódó dokumentációk módosulhatnak és frissülhetnek. Naprakész termékinformációk érdekében kérjük látogasson el a következő honlapra: [documents.dometic.com](http://documents.dometic.com).

## Tartalom

1	Szimbólumok magyarázata	135
2	Biztonsági útmutatások	136
3	A csomag tartalma	138
4	Célcsoportok	138
5	Rendeltetésszerű használat	138
6	Műszaki leírás	139
7	Szerelés	139
8	Üzemeltetés	141
9	Tisztítás és karbantartás	141
10	Hibakeresés	142
11	Szavatosság	142
12	Ártalmatlanítás	142
13	Műszaki adatok	143

## 1 Szimbólumok magyarázata



### VESZÉLY!

**Biztonsági útmutatás:** Veszélyes helyzetet jelöl, amely súlyos sérülést vagy halált okoz, ha nem kerülik el.



### FIGYELMEZTETÉS!

**Biztonsági útmutatás:** Veszélyes helyzetet jelöl, amely súlyos sérülést vagy halált okozhat, ha nem kerülik el.



### VIGYÁZAT!

**Biztonsági útmutatás:** Veszélyes helyzetet jelöl, amely könnyű vagy mérsékelt sérülést okozhat, ha nem kerülik el.



### FIGYELEM!

Olyan helyzetet jelöl, amely vagyoni kárt okozhat, ha nem kerülik el.

## 2 Biztonsági útmutatások

**Vegye figyelembe a járműgyártó és a gépjárműszakma által előírt biztonsági megjegyzéseket és előírásokat.**

**Vegye figyelembe az érvényes törvényi előírásokat.**



**VESZÉLY!** Ezeknek a figyelmeztetéseknek a figyelmen kívül hagyása súlyos vagy halálos sérüléshez vezet.

### Robbanásveszély

- A kamera nem mentesíti a vezetőt a vezetés közbeni gondossági kötelezettség alól.
- A vezető a használat esetén is teljes mértékben felelős a jármű vezetéséért, a közlekedésbiztonsági kötelezettségek figyelembe vételéért, valamint a törvény által előírt közlekedésbiztonsági követelmények betartásáért.



**FIGYELMEZTETÉS!** Ezeknek a figyelmeztetéseknek a figyelmen kívül hagyása súlyos, vagy halálos sérüléshez vezethet.

### Sérülés kockázata

- A kamerát 8 év feletti gyermekek, valamint korlátozott fizikai, érzékelési és mentális képességű, illetve megfelelő tapasztalattal és tudással nem rendelkező személyek csak felügyelet mellett, illetve a készülék biztonságos használatát és az abból eredő veszélyeket megértve használhatják.
- A járműben felszerelt alkatrészeket úgy rögzítse, hogy azok semmilyen körülmények között (éles fékezés, közlekedési baleset) ne szabadulhassanak el és ne okozhassák a jármű utasainak sérülését.
- A járművön belül elhelyezendő alkatrészeket ne szerelje légszák hatókörébe. Ellenkező esetben a légszák kioldása esetén sérülésveszély állhat fenn.
  - a nem megfelelő vezetékcsatlakozások következményeként rövidzárlat miatt
  - kábeltűz keletkezhet,
  - a légszák kiold,
  - az elektronikus vezérlőberendezések megsérülnek,
  - elektromos meghibásodások (irányjelző, féklámpa, kűrt, gyújtás, világítás) léphetnek fel.



**VIGYÁZAT!** Ezeknek a felhívásoknak a figyelmen kívül hagyása könnyű vagy mérsékelt sérüléshez vezethet.

### Sérülés kockázata

- A burkolat alatt takarásban lévő alkatrészeket úgy rögzítse, hogy ne szabadulhassanak el és ne sérthessenek meg más alkatrészeket és vezetékeket, illetve ne akadályozhassák a jármű működését (kormányzás, pedálok stb.).
- Mindig vegye figyelembe a járműgyártó biztonsági megjegyzéseit. Bizonyos (például gátlórendszereken – légszákon stb. – végzendő) munkákat csak képzett szakember végezhet.



### FIGYELEM!

#### Károsodás veszélye

- Fúrásnál a sérülések elkerülése érdekében ügyeljen arra, hogy elegendő tér álljon rendelkezésre a fúrófej kilépési helyén.
- Sorjátlanítsa a furatot, és kezelje le rozsdagátló szerrel.
- Amikor az elektromos rendszeren dolgozik, az akkumulátorokat válassza le a jármű földeléséről. Ez a fő és a kiegészítő akkumulátorokra is vonatkozik.



- Az alábbi vezetékeken végzendő munkáknál csak szigetelt kábelsarukat, csatlakozódugókat és lapos hüvelyeket használjon:
  - 30 (közvetlen bemenet az akkumulátor pozitív pólusától)
  - 15 (csatlakoztatott pozitív vezeték, akkumulátor után)
  - 31 (visszamenő vezeték az akkumulátortól, föld)
  - 58 (tolatólámpa)
- **Ne** használjon porcelán huzalcsatlakozót.
- A kábelek csatlakoztatáshoz krimpelő fogót használjon.
- A 31. vezeték (földelés) csatlakoztatásakor
  - csavarozza a kábelt kábelsaruval és rugós alátéttel a jármű egyik földelőcsavarjához vagy
  - csavarozza a kábelt kábelsaruval és önmetsző lemezcsavarral a karosszériaelemhez.Biztosítsa a földelés megfelelő érintkezését.
- Az akkumulátor leválasztása esetén a felejtő memóriából az összes tárolt adat elveszik. Adott esetben az adatok visszaállítására lesz szükség. Ebben az esetben kövesse a gépjárműgyártó utasításait. Ezen beállítások elvégzéséhez az utasítások az üzemeltetési kézikönyvben találhatóak.
- Elektromos vezetékek feszültségének ellenőrzéséhez csak diódás ellenőrző lámpát vagy feszültségmérőt használjon.  
A világítótesttel rendelkező ellenőrző lámpák túl nagy áramot vesznek fel, ami károsíthatja a jármű-elektronikát.
- Elektromos csatlakozások kialakításánál ügyeljen a következőkre:
  - ne legyenek túlságosan megtörve vagy megcsavarodva,
  - ne súrlódjanak peremeken,
  - ne legyenek védelem nélkül éles peremű átvezetések keresztlámpákkal.
- Szigetelje az összes csatlakozást.
- Kábelkötegelőkkel vagy szigetelőszalaggal például meglévő vezetékhez rögzítve védje a vezetékeket a mechanikai igénybevételtől.
- Kövesse a monitor szerelési és kezelési útmutatóját.
- Ne nyissa fel a kamerát.
- Ne húzza a kábeleket.
- Ne ériék a kábeleket huzamosabb ideig oldószerek (például benzol).
- Ne használja a kamerákat víz alatt.
- Kellő távolságra helyezze el a kábeleket a jármű forró vagy mozgó alkatrészeitől (kipufogó, kardántengelyen lévő kipufogó, kardántengely, lámpák, ventilátorok, fűtőkészülékek, stb.).

### 3 A csomag tartalma

**CAM35-2.0 REAR:** **1.** ábra, 3. oldal

**CAM35-2.0 TWIN:** **2.** ábra, 4. oldal

Sz.	Mennyiség	Leírás	Ref.sz.
1	1	Kamera CAM35-2.0 REAR CAM35-2.0 TWIN	9620012436 9620012438
2	1	Tömítés	-
3	1	Y-adapter CAM	9600000552
4	1	Adapter NAV	9620012441
5	1	15 m rendszerkábel	9600001662
-	1	Lámpa csatlakozókábel, 1,5 m	-
-	2	Rögzítőcsavarok, 6 x 25 mm	-

### 4 Célcsoportok



Az elektromos áramellátást olyan szakképzett villanyszerelőnek kell csatlakoztatnia, aki bizonyítottan rendelkezik az elektromos berendezések és szerelvények építésével és működtetésével kapcsolatos készségekkel és ismeretekkel, és az ezzel járó veszélyek felismerése és elkerülése érdekében biztonsági képzésben részesült.

### 5 Rendeltetésszerű használat

A kamera egyszerű tetővel szerelt 2006-os, vagy ennél újabb Fiat Ducato, Citroen Jumper, Peugeot Boxer járművekben történő felhasználásra alkalmas. A kamera konzol a karosszéria és a féklámpa közé szerelhető fel. Felhasználható olyan kamerarendszerekben, amelyek a jármű mögötti terület vezetőlülsőből történő megfigyelésére szolgálnak tolatásnál vagy parkolásnál.

Ez a termék az itt leírt utasításoknak megfelelő rendeltetésszerű használatra alkalmas.

Ez a kézikönyv olyan információkat nyújt, amelyek a termék szakszerű telepítéséhez és/vagy üzemeltetéséhez szükségesek. A hibás telepítés és/vagy a szakszerűtlen üzemeltetés vagy karbantartás elégtelen teljesítményhez és potenciálisan meghibásodáshoz vezethet.

A gyártó nem vállal felelősséget a termék olyan károsodásáért, vagy sérülésekért, amelyek a következőkre vezethetők vissza:

- Hibás összeszerelés vagy csatlakoztatás, ideértve a túlfeszültséget is
- Helytelen karbantartás, vagy a gyártó által szállított eredeti cserealkatrésztől eltérő cserealkatrészek használata
- A termék kifejezett gyártói engedély nélküli módosítása
- Az útmutatóban leírt céloktól eltérő felhasználás

A Dometic fenntartja a termék megjelenésének és specifikációjának módosítására vonatkozó jogát.

## 6 Műszaki leírás

A tolatókamera modul és a távolsági kamera modul (**csak** CAM35 2.0 TWIN) egyetlen konzollal szerelhetők fel az eredeti féklámpába. A rendszer a kameraképet egy rendszerkábelben keresztül továbbítja a monitorhoz. A kamera a Fiat Uconnect navigációs rendszeréhez való csatlakozásra is alkalmas.

A kamera többek között a következő elemekből áll:

Számokat lásd: 3. ábra, 5. oldal	Leírás
1	Tolatókamera modul
2	Távolsági kamera modul ( <b>csak</b> CAM35-2.0 TWIN)
3	6-pólusú csatlakozókábel a távolsági kamera modulhoz ( <b>csak</b> CAM35-2.0 TWIN)
4	6-pólusú csatlakozókábel tolatókamera modulhoz
5	2 eres csatlakozókábel a kameralámpához
6	Kameralámpa

A CAM35-2.0 egy adapterrel van felszerelve, amely lehetővé teszi a csatlakoztatást egy 6-pólusú csatlakozóval rendelkező monitorhoz és egy RCA csatlakozóval rendelkező monitorhoz (A/V bemenet).

**Csak CAM35-2.0 TWIN:** A kamera kapcsolóelektronika lehetővé teszi mindkét kameramodul egy A/V bemenet-tel történő üzemeltetését.

## 7 Szerelés

### 7.1 A féklámpa leszerelése

- Oldja ki a féklámpa két csavarját (4. ábra, 5. oldal).
- Válassza le a féklámpát a járműről (5. ábra, 6. oldal).

### 7.2 Kábelek elhelyezése



#### FIGYELEM! Károsodás veszélye

- A furatok elkészítése előtt ellenőrizze, hogy elegendő szabad hely van-e a fúrónak az átjutáshoz.
- A szakszerűtlen kábelhelyezések és kábel-összeköttetések ismételt hibás működést eredményeznek vagy alkatrészek sérülését okozzák. Az előírásoknak megfelelően szerelje be a kábeleket és csatlakozókat.
- Ne tegye ki a kábeleket hosszabb ideig oldószeres hatásának, például benzolnak.



#### MEGJEGYZÉS

A kábeleket úgy vezesse, hogy a kamera és a hosszabbító kábel közötti csatlakozó könnyen elérhető legyen.

Vegye figyelembe az alábbi utasításokat:

- A csatlakozókábelek átvezetésénél eredeti átvezetéseket vagy más átvezetési lehetőségeket használjon, például burkolóleleteket, szellőzőrácsokat vagy vakkapcsolókat. Ha nincsenek nyílások, akkor furatokat kell készíteni a kábel számára.
- A kábeleket a jármű belsejében vezesse. Ha egy kábelt a járművön kívül kell vezetni, akkor ügyeljen a biztos rögzítésére (kiegészítő kábelkötözőkkel, szigetelőszalaggal stb.).

- Mindig tartson megfelelő távolságot a forró és mozgó jármű-alkatrészekről (kipufogócsövek, hajtótengelyek, áramgenerátor, ventilátor, fűtés stb.). A mechanikus védelemhez használjon bordácsövet vagy hasonló védőanyagot.
  - Ügyeljen arra, hogy a kábelek ne legyenek megtörve vagy megcsavarodva.
  - Ügyeljen arra, hogy a kábelek ne dörzsölődjenek az élekhez.
  - Ügyeljen arra, hogy a kábelek ne legyenek védelem nélkül éles peremű átvezetéseken keresztülvezetve.
  - A botlásveszély megakadályozása érdekében biztonságosan rögzítse a kábelt a járműben. Használjon kábelkötözőket, szigetelőszalagot, vagy ragasztóval rögzítse a kábeleket a helyükön.
- Vezesse el a rendszerkábelét.

### 7.3 A kamera csatlakoztatása



#### MEGJEGYZÉS

A dugaszban a korrózió megelőzése érdekében vigyen fel egy kis mennyiségű zsírt, például szilikonzsírt a dugaszokra.

1. Vezesse át a féklámpa dugaszát a konzolon.
2. Ismét illessze be a féklámpába a féklámpa dugaszát (6. ábra, 6. oldal).
3. Az ábrán látható módon csatlakoztassa a kamerát (7. ábra, 7. oldal).



#### MEGJEGYZÉS

Csatlakoztassa a 2 eres csatlakozókábelt (3. ábra 5, 5. oldal) egy olyan 12 V-os hálózati csatlakozóhoz, amely **csak** akkor szolgáltat áramot, amikor a jármű parkol. A kamera lámpája a törvény szerint nem világíthat menet közben. A járműhöz történő pontos csatlakoztatás a járműtől függ. Kövesse a gyártó útmutatásait.

Képalírás:

Számokat lásd: 7. ábra, 7. oldal	Leírás
1	6-pólusú csatlakozókábel tolatókamerához
2	Y-adapter CAM
3	Monitor
4	Hátramenet sebességfokozat csatlakozókábel
5	6-pólusú dugasz a monitorhoz
6	RCA dugasz monitorhoz
7	Rendszerkábel
8	6-pólusú csatlakozókábel távolsági kamera modulhoz ( <b>csak</b> CAM35-2.0 TWIN)
9	CAM35-2.0 REARE vagy CAM35-2.0 TWIN kamera
10	Lámpa csatlakozókábel
bk	fekete földelő csatlakozó
rd	piros 12 V <sup>==</sup> csatlakozó

## 7.4 Dugaszok védelme

- ▶ Zárja le a csatlakoztatott dugaszokat vízlepergető ragasztószalaggal, így megvédheti azokat a víz bejutásától (8. ábra, 8. oldal).

## 7.5 A kamera felszerelése (9. ábra, 8. oldal)



### MEGJEGYZÉS

A kamera kábeleit a konzol alsó oldalán vezesse el a kivágásokig, így nem csípődik be a kábel.

1. Helyezze a féklámpát a kamera nyílásába.
2. Rögzítse a kamerát két 6 x 25 mm-es rögzítőcsavarral.

## 8 Üzemeltetés

A csatlakoztatás után a kamera a monitoron keresztül használható.

Kövesse a monitor gyártójának útmutatásait.

## 9 Tisztítás és karbantartás



### FIGYELEM! Károsodás veszélye

A tisztításhoz ne használjon éles vagy kemény tárgyakat, súroló vagy fehérítő hatású tisztítószereket.

- ▶ Alkalmanként tisztítsa meg a készüléket nedves, puha kendővel.
- ▶ Rendszeresen ellenőrizze a feszültség alatt álló kábelek vagy vezetékek szigetelési hibáit, töréseit vagy kilazult csatlakozásait.

## 10 Hibakeresés

Hiba	Lehetséges ok	Megoldás
A kamera nem működik.	A kamera csatlakoztatása helytelen.	▶ Csatlakoztassa újra a kamerát (lásd: „A kamera csatlakoztatása” fejr., 140. oldal).
	Egy csatlakozókábel meghibásodott.	▶ Vegye fel a kapcsolatot a hivatalos szervizzel.
	A kamera meghibásodott.	▶ Vegye fel a kapcsolatot a hivatalos szervizzel.
A kamera által generált kép elmosódott vagy sötét.	A kamera nem tiszta.	▶ Tisztítsa meg a kamerát (lásd: „Tisztítás és karbantartás” fejr., 141. oldal).

## 11 Szavatosság

A termékre a törvény szerinti szavatossági időszak érvényes. Amennyiben a termék meghibásodott, lépjen kapcsolatba a kiskereskedővel, vagy a gyártó helyi képviselőjével (lásd: [dometic.com/dealer](http://dometic.com/dealer)).

A javításhoz, illetve a garancia intézéséhez a következő dokumentumokat kell mellékelnie a termék beküldésekor:

- A számla vásárlási dátummal rendelkező másolatát
- A reklamáció okát vagy a hibát tartalmazó leírást

Vegye figyelembe, hogy az önkezü javítás vagy a nem szakszerű javítás biztonsági következményekkel járhat, és érvénytelenítheti a szavatosságot.

## 12 Ártalmatlanítás

### Csomagolóanyagok újrahasznosítása




- ▶ A csomagolóanyagot lehetőleg a megfelelő újrahasznosítható hulladékokhoz tegye.

### Az elemeket, akkumulátorokat és fényforrásokat tartalmazó termékek újrahasznosítása



- ▶ A termék újrahasznosítása előtt távolítsa el az elemeket, akkumulátorokat és a fényforrásokat.
- ▶ Adja le a meghibásodott akkumulátorokat vagy elhasznált elemeket a kereskedőnél vagy egy gyűjtőhelyen.
- ▶ Ne dobja az elemeket, akkumulátorokat és fényforrásokat az általános háztartási hulladékba.
- ▶ A termék végleges üzemen kívül helyezése esetén tájékozódjon a legközelebbi újrahasznosító központban vagy szakkereskedőjénél a vonatkozó ártalmatlanítási előírásokról.
- ▶ A termék ingyenesen ártalmatlanítható.

## 13 Műszaki adatok

	CAM35-2.0 REAR	CAM35-2.0 TWIN	
		REAR	FAR
Képerzékelő	1/2,9 inch CMOS		
Képpontok AHD CVBS	1280 (H) X720 (V) 960 (H) X576 (V)		
Videoszabvány (AHD és CVBS)	PAL		
Érzékenység	< 1 lux		
Látószög AHD CVBS	H: 122 ± 3° V: 94 ± 3° H: 118 ± 3° V: 90 ± 3°		H: 80 ± 3° V: 50 ± 3° H: 80 ± 3° V: 44 ± 3°
Üzemi feszültség Kamera LED:	6 – 16 V 9 – 16 V		
Fogyasztás AHD CVBS LED:	< 1,68 W < 1,8 W < 3,24 W	< 2,52 W < 2,64 W < 3,24 W	
Üzemi hőmérséklet	-40 °C és 85 °C között		
Védelmi osztály	IP69k		
Rezgésállóság	ISO 16750-3:2023 4.1.9.2 (IEC 60068-2-64)		
Méretek (sz x m x h)	379,9 x 83,66 x 51,7 mm		
Súly	230 g	250 g	
Vizsgálati és tanúsítvány jelzések			



[dometic.com](https://dometic.com)

---

## **YOUR LOCAL DEALER**

[dometic.com/dealer](https://dometic.com/dealer)

## **YOUR LOCAL SUPPORT**

[dometic.com/contact](https://dometic.com/contact)

## **YOUR LOCAL SALES OFFICE**

[dometic.com/sales-offices](https://dometic.com/sales-offices)

---